

**5SV03F00246T/D**

**Technical data**

**Company name**  
**Contact**  
**Phone number**  
**e-mail address**

**Operating data**

Pump type	Single head pump	Fluid	Water
Available system NPSH	ft 0	Operating temperature t A	°F 39.2
Nominal flow	US g.p.m. 0	pH-value at t A	7
Nominal head	ft 0	Density at t A	lb/ft <sup>3</sup> 62.4
Static head	ft 0	Kin. viscosity at t A	ft <sup>2</sup> /s 1.689E-5
Inlet pressure	psi 0	Vapor pressure at t A	psi 14.5
Environmental temperature	°F 68	Solids	0
		Altitude	ft 0

**Pump data**

Make	Lowara	Nominal	US g.p.m. ( )
Speed	rpm 1750	Flow	Max- US g.p.m. 22
Number of stages	3		Min- US g.p.m.
Max. casing pressure	psi	Nominal	ft
Max. working pressure	psi 11.8	Head	at Qmax ft 13.5
Head H(Q=0)	ft 27		at Qmin ft 27.1
Weight	lb 32	Shaft power	hp ( )
	Max. inch 3	Max. shaft power	hp .1
Impeller R	designed inch 3	Efficiency	%
	Min. inch 3	NPSH 3%	ft

**Pump Materials**

Pump body	Stainless steel / AISI 304
Impeller	Stainless steel / AISI 304
Diffuser	Stainless steel / AISI 304
Outer sleeve	Stainless steel / AISI 304
Shaft	Stainless steel / AISI 304
Adapter	Cast iron
Base	Aluminium
Coupling	Aluminium
SEAL HOUSING	Stainless steel / AISI 304
Coupling protection	Stainless steel / AISI 304
Shaft sleeve and bushing	Tungsten carbide
Fill / drain plugs	Stainless steel / AISI 304
Tie rods	Galvanized steel
Wear ring	Technopolymer PPS

**Shaft Seal**

e-SV Mechanical seal	Roten
e-SV - Uniten (-30 / +120 °C)	
1 - Rotating part	Silicon Carbide
2 - Stationary part	Resin impregnated carbon
3 - Elastomers	EPDM
4 - Springs	AISI 316
5 - Other components	AISI 316

**Motor data**

Manufacturer	Xylem	Electric voltage	265 V	Speed	1700 rpm	Insulation class	F
Specific design	IE2 3ph Flange Motor			Frame size	71	Colour	RAL 5010
Type	LLM471B14/302						
Rated power	0.33526 hp	Degree of protection	IP55				
Electric current	1.05 A						

**Remarks:**

**5SV03F00246T/D**

**Performance curve**

Company name  
Contact  
Phone number  
e-mail address

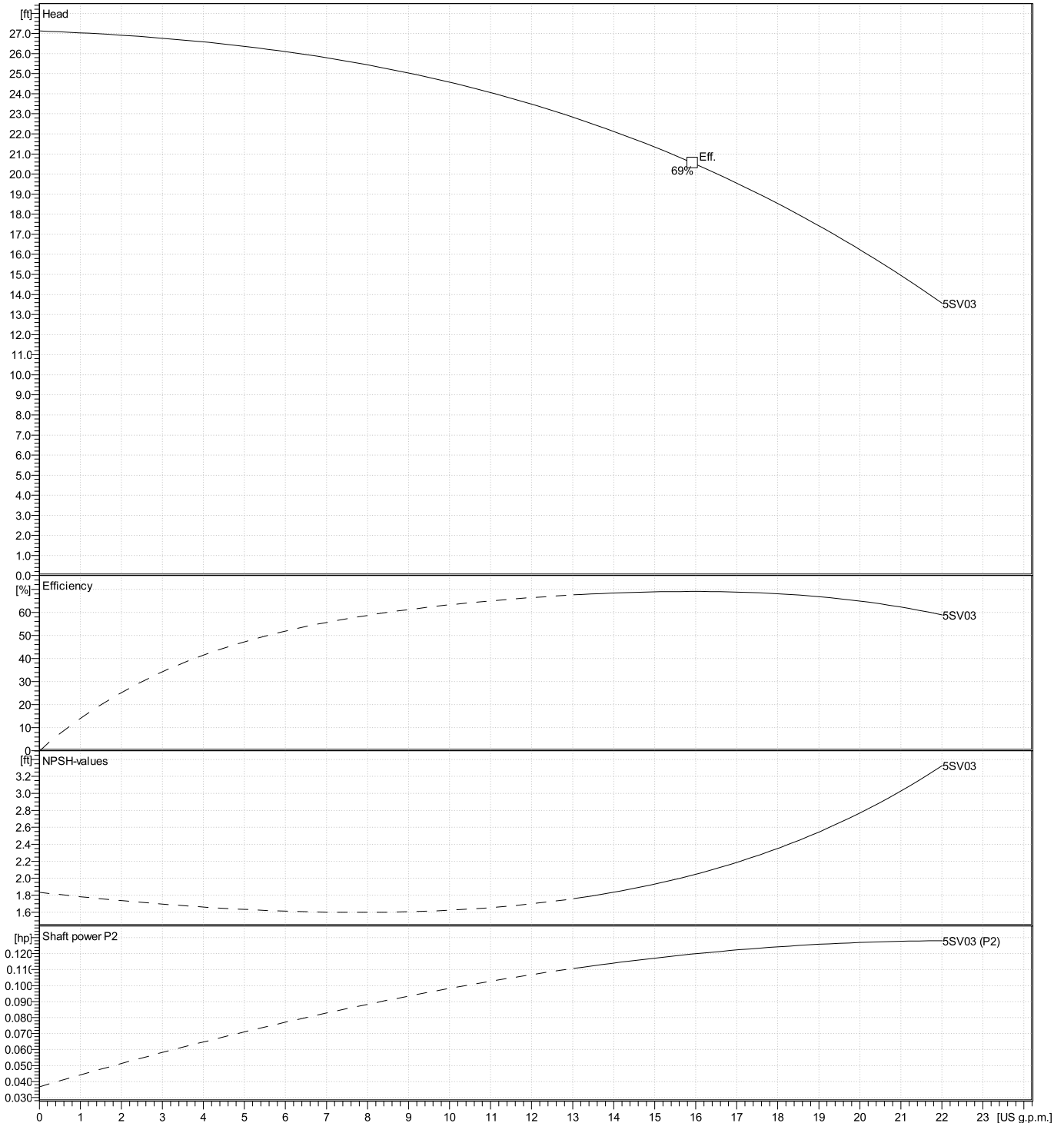
**Hydraulic data**

Operating Data Specification		Hydraulic data (duty point)		Impeller design	
Flow	0 US g.p.m.	Flow		Impeller R	3 inch
Head	0 ft	Head		Frequency	60 Hz
Static head	0 ft	MEI	---	Speed	1750 rpm

**Power datas referred to:**

Water [100%] ; 39.2°F; 62.4lb/ft<sup>3</sup>; 1.69E-5ft<sup>2</sup>/s

Performance according to ISO 9906:2012 – Grade 3B

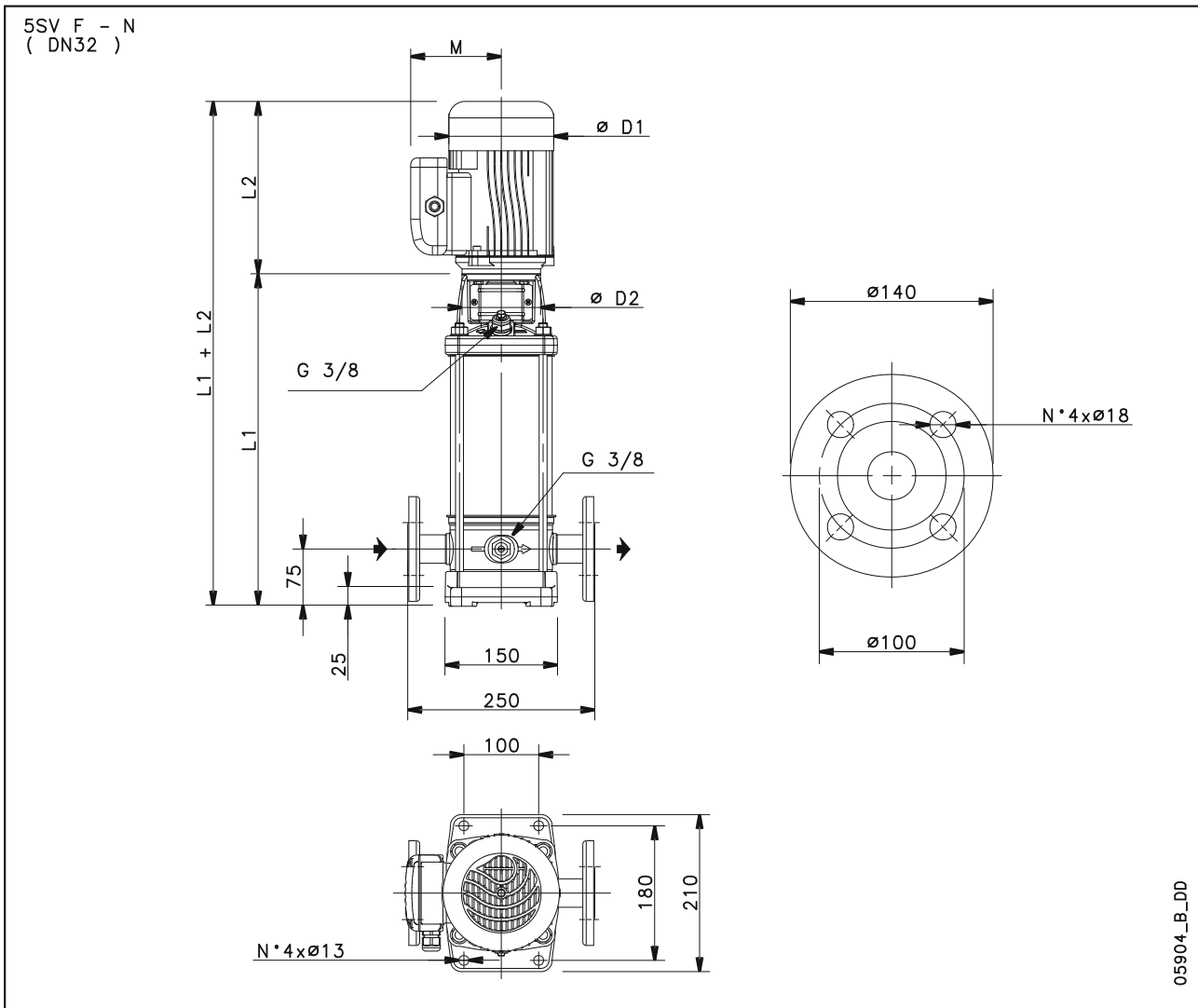


**5SV03F00246T/D**

**Dimensions**

Company name  
Contact  
Phone number  
e-mail address

**Drawing**



05904\_B\_DD

**Dimensions inch**

D1	6 <sup>1</sup> / <sub>4</sub>					Weight 30 lb
D2	4 <sup>7</sup> / <sub>8</sub>					
L1	11 <sup>9</sup> / <sub>16</sub>					
L2	8 <sup>3</sup> / <sub>8</sub>					
M	4 <sup>5</sup> / <sub>16</sub>					