

3SV02F0024T/D

Technical data

Company name
Contact
Phone number
e-mail address

Operating data

Pump type	Single head pump	Fluid	Water
Available system NPSH	m 0	Operating temperature t A	°C 4
Nominal flow	m ³ /h 0	pH-value at t A	7
Nominal head	m 0	Density at t A	kg/m ³ 1000
Static head	m 0	Kin. viscosity at t A	mm ² /s 1.569
Inlet pressure	kPa 0	Vapor pressure at t A	kPa 100
Environmental temperature	°C 20	Solids	0
		Altitude	m 0

Pump data

Make	Lowara	Nominal	m ³ /h ()
Speed	rpm 1450	Flow	Max- m ³ /h 2.2
Number of stages	2		Min- m ³ /h
Max. casing pressure	kPa	Nominal	m
Max. working pressure	kPa 37.4	Head	at Qmax m 1.9
Head H(Q=0)	m 3.8		at Qmin m 3.8
Weight	kg 14	Shaft power	kW ()
	Max. mm 79	Max. shaft power	kW .0
Impeller R	designed mm 79	Efficiency	%
	Min. mm 79	NPSH 3%	m

Pump Materials

Pump body	Stainless steel / AISI 304
Impeller	Stainless steel / AISI 304
Diffuser	Stainless steel / AISI 304
Outer sleeve	Stainless steel / AISI 304
Shaft	Stainless steel / AISI 304
Adapter	Cast iron
Base	Aluminium
Coupling	Aluminium
SEAL HOUSING	Stainless steel / AISI 304
Coupling protection	Stainless steel / AISI 304
Shaft sleeve and bushing	Tungsten carbide
Fill / drain plugs	Stainless steel / AISI 304
Tie rods	Galvanized steel
Wear ring	Technopolymer PPS

Shaft Seal

e-SV Mechanical seal	Roten
e-SV - Uniten (-30 / +120 °C)	
1 - Rotating part	Silicon Carbide
2 - Stationary part	Resin impregnated carbon
3 - Elastomers	EPDM
4 - Springs	AISI 316
5 - Other components	AISI 316

Motor data

Manufacturer	Xylem	Electric voltage	230 V	Speed	1390 rpm	Insulation class	F
Specific design	IE2 3ph Flange Motor			Frame size	71	Colour	RAL 5010
Type	LLM471B14/302						
Rated power	0.25 kW	Degree of protection	IP55				
Electric current	1.2 A						

Remarks:

3SV02F0024T/D

Performance curve

Company name
Contact
Phone number
e-mail address

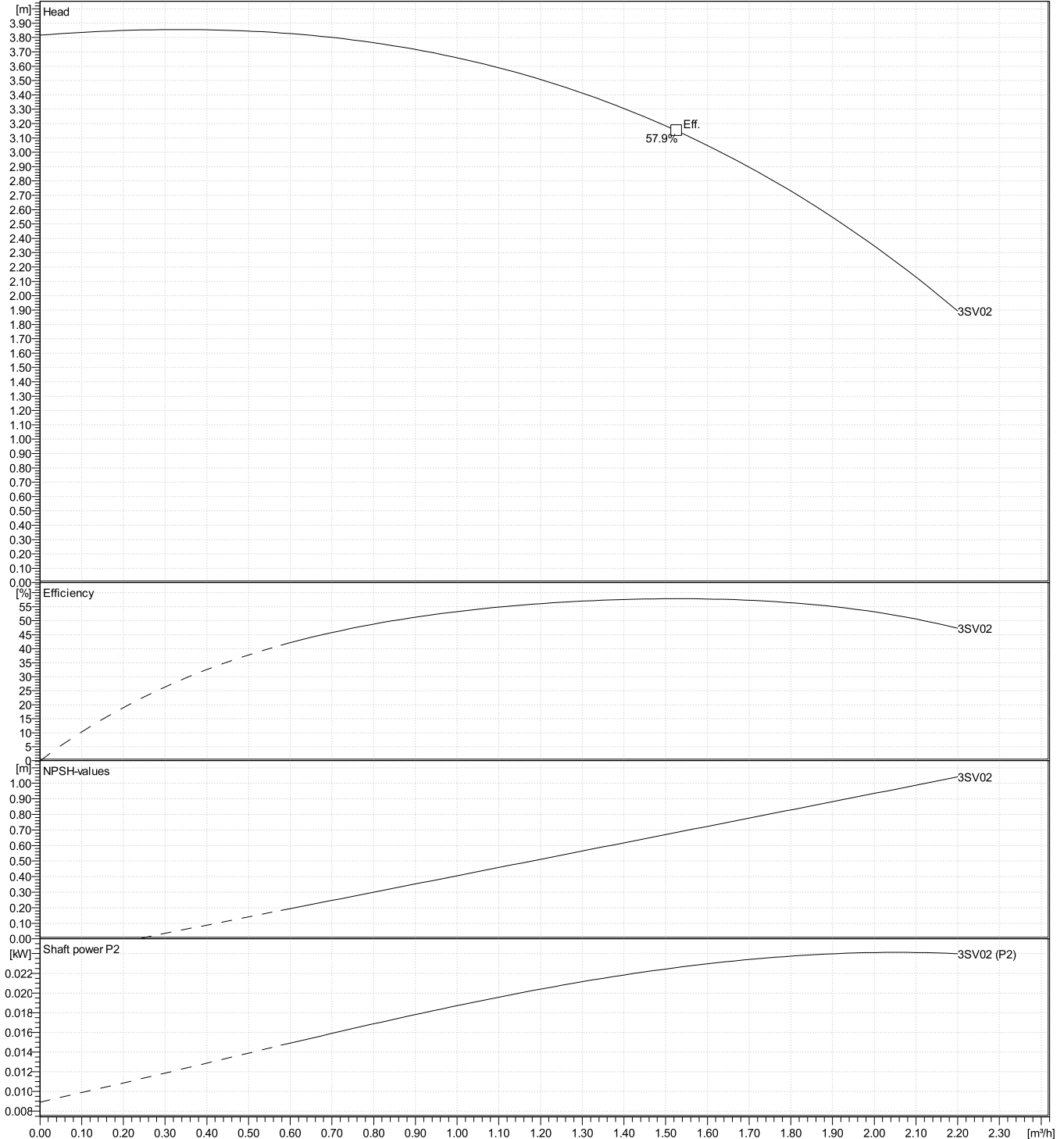
Hydraulic data

Operating Data Specification		Hydraulic data (duty point)		Impeller design	
Flow	0 m ³ /h	Flow		Impeller R	79 mm
Head	0 m	Head		Frequency	50 Hz
Static head	0 m	MEI	---	Speed	1450 rpm

Power datas referred to:

Water [100%] ; 4°C; 1000kg/m³; 1.57mm²/s

Performance according to ISO 9906:2012 – Grade 3B

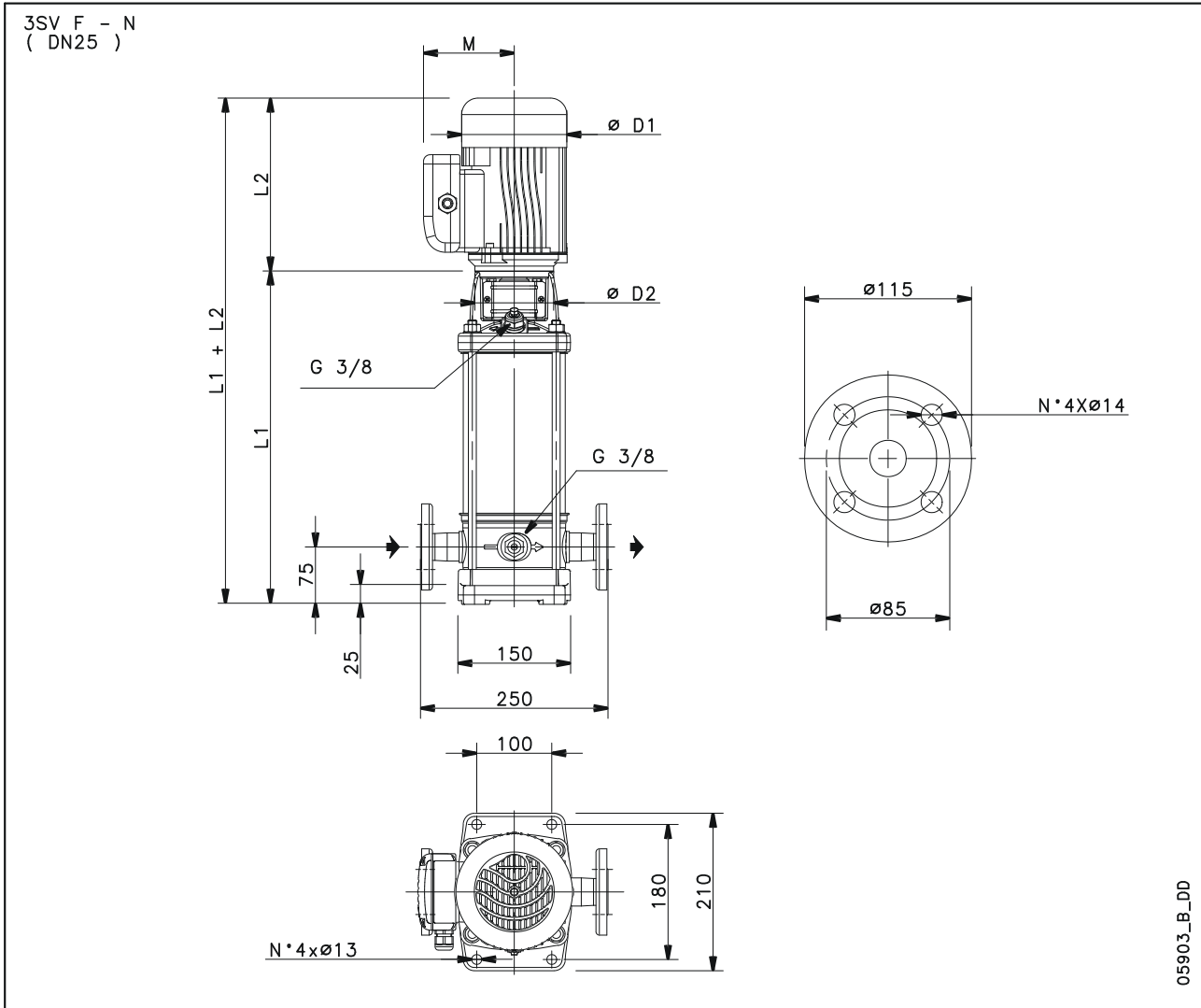


3SV02F0024T/D

Dimensions

Company name
Contact
Phone number
e-mail address

Drawing



Dimensions mm

D1	159					Weight 10 kg
D2	105					
L1	278					
L2	213					
M	110					