

## 5SV18F0034T/D

### Technical data

Company name  
Contact  
Phone number  
e-mail address

#### Operating data

|                           |                     |                              |                          |
|---------------------------|---------------------|------------------------------|--------------------------|
| Pump type                 | Single head pump    | Fluid                        | Water                    |
| Available system NPSH     | m 0                 | Operating temperature at t A | °C 4                     |
| Nominal flow              | m <sup>3</sup> /h 0 | pH-value at t A              | 7                        |
| Nominal head              | m 0                 | Density at t A               | kg/m <sup>3</sup> 1000   |
| Static head               | m 0                 | Kin. viscosity at t A        | mm <sup>2</sup> /s 1.569 |
| Inlet pressure            | kPa 0               | Vapor pressure at t A        | kPa 100                  |
| Environmental temperature | °C 20               | Solids                       | 0                        |
|                           |                     | Altitude                     | m 0                      |

#### Pump data

|                       |                |                  |                            |
|-----------------------|----------------|------------------|----------------------------|
| Make                  | Lowara         | Nominal          | m <sup>3</sup> /h ( )      |
| Speed                 | rpm 1450       | Flow             | Max- m <sup>3</sup> /h 4.3 |
| Number of stages      | 18             | Min-             | m <sup>3</sup> /h          |
| Max. casing pressure  | kPa            | Nominal          | m                          |
| Max. working pressure | kPa 325        | Head             | at Qmax m 12.5             |
| Head H(Q=0)           | m 33           | at Qmin          | m 33.1                     |
| Weight                | kg 22          | Shaft power      | kW ( )                     |
|                       | Max. mm 76     | Max. shaft power | kW .3                      |
| Impeller R            | designed mm 76 | Efficiency       | %                          |
|                       | Min. mm 76     | NPSH 3%          | m                          |

#### Pump Materials

|                          |                            |
|--------------------------|----------------------------|
| Pump body                | Stainless steel / AISI 304 |
| Impeller                 | Stainless steel / AISI 304 |
| Diffuser                 | Stainless steel / AISI 304 |
| Outer sleeve             | Stainless steel / AISI 304 |
| Shaft                    | Stainless steel / AISI 304 |
| Adapter                  | Cast iron                  |
| Base                     | Aluminium                  |
| Coupling                 | Aluminium                  |
| SEAL HOUSING             | Stainless steel / AISI 304 |
| Coupling protection      | Stainless steel / AISI 304 |
| Shaft sleeve and bushing | Tungsten carbide           |
| Fill / drain plugs       | Stainless steel / AISI 304 |
| Tie rods                 | Galvanized steel           |
| Wear ring                | Technopolymer PPS          |

#### Shaft Seal

|                               |                          |
|-------------------------------|--------------------------|
| e-SV Mechanical seal          | Roten                    |
| e-SV - Uniten (-30 / +120 °C) |                          |
| 1 - Rotating part             | Silicon Carbide          |
| 2 - Stationary part           | Resin impregnated carbon |
| 3 - Elastomers                | EPDM                     |
| 4 - Springs                   | AISI 316                 |
| 5 - Other components          | AISI 316                 |

#### Motor data

|                  |                      |                      |       |            |          |                  |          |
|------------------|----------------------|----------------------|-------|------------|----------|------------------|----------|
| Manufacturer     | Xylem                | Electric voltage     | 230 V | Speed      | 1410 rpm | Insulation class | F        |
| Specific design  | IE2 3ph Flange Motor |                      |       | Frame size | 71       | Colour           | RAL 5010 |
| Type             | LLM471B14/304        |                      |       |            |          |                  |          |
| Rated power      | 0.37 kW              | Degree of protection | IP55  |            |          |                  |          |
| Electric current | 1.8 A                |                      |       |            |          |                  |          |

#### Remarks:

# 5SV18F0034T/D

## Performance curve

Company name  
Contact  
Phone number  
e-mail address

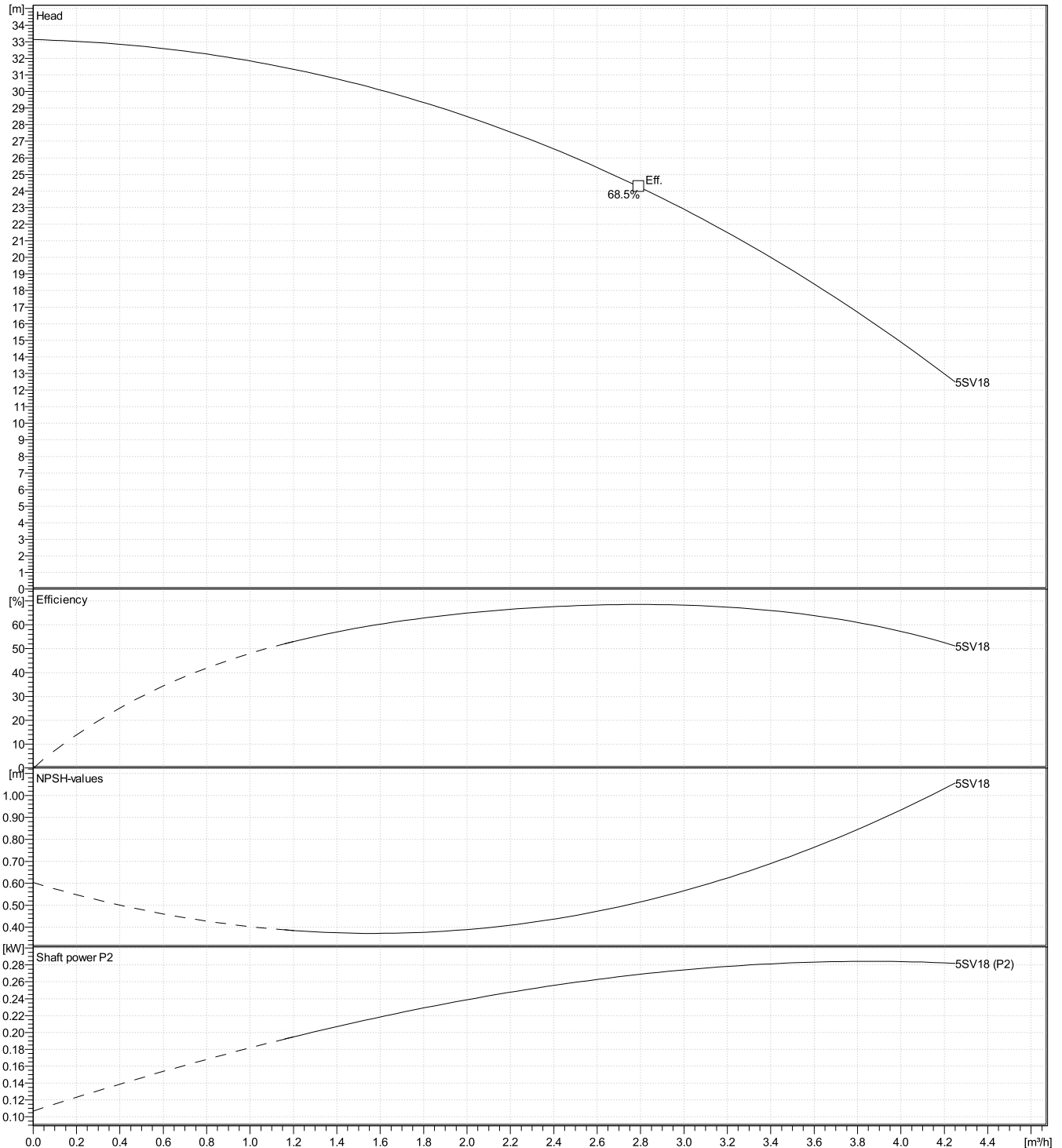
### Hydraulic data

| Operating Data Specification |                     | Hydraulic data (duty point) |     | Impeller design |          |
|------------------------------|---------------------|-----------------------------|-----|-----------------|----------|
| Flow                         | 0 m <sup>3</sup> /h | Flow                        |     | Impeller R      | 76 mm    |
| Head                         | 0 m                 | Head                        |     | Frequency       | 50 Hz    |
| Static head                  | 0 m                 | MEI                         | --- | Speed           | 1450 rpm |

**Power datas referred to:**

Water [100%] ; 4°C; 1000kg/m<sup>3</sup>; 1.57mm<sup>2</sup>/s

Performance according to ISO 9906:2012 – Grade 3B

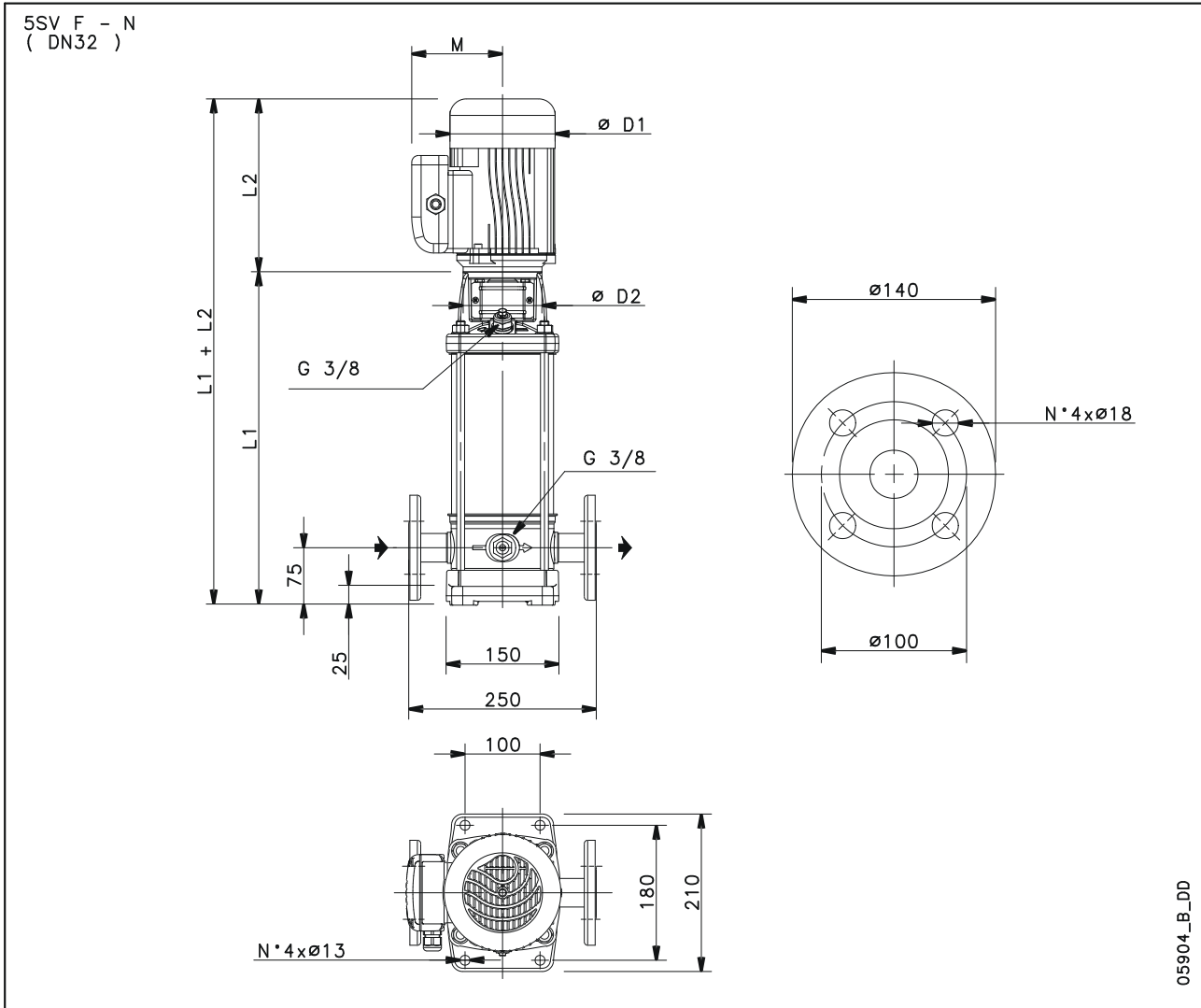


**5SV18F0034T/D**

**Dimensions**

Company name  
Contact  
Phone number  
e-mail address

**Drawing**



**Dimensions mm**

|    |     |  |  |  |  |                 |
|----|-----|--|--|--|--|-----------------|
| D1 | 159 |  |  |  |  | Weight<br>20 kg |
| D2 | 105 |  |  |  |  |                 |
| L1 | 668 |  |  |  |  |                 |
| L2 | 213 |  |  |  |  |                 |
| M  | 110 |  |  |  |  |                 |