

## 3SV15F00346T/D

### Technical data

Company name  
Contact  
Phone number  
e-mail address

#### Operating data

Pump type	Single head pump	Fluid	Water
Available system NPSH	ft 0	Operating temperature at t A	°F 39.2
Nominal flow	US g.p.m. 0	pH-value at t A	7
Nominal head	ft 0	Density at t A	lb/ft <sup>3</sup> 62.4
Static head	ft 0	Kin. viscosity at t A	ft <sup>2</sup> /s 1.689E-5
Inlet pressure	psi 0	Vapor pressure at t A	psi 14.5
Environmental temperature	°F 68	Solids	0
		Altitude	ft 0

#### Pump data

Make	Lowara	Nominal	US g.p.m. ( )
Speed	rpm 1750	Flow	Max- US g.p.m. 11.4
Number of stages	15		Min- US g.p.m.
Max. casing pressure	psi	Nominal	ft
Max. working pressure	psi 57.4	Head	at Qmax ft 60.7
Head H(Q=0)	ft 130		at Qmin ft 132.4
Weight	lb 43	Shaft power	hp ( )
	Max. inch 3 1/8	Max. shaft power	hp .4
Impeller R	designed inch 3 1/8	Efficiency	%
	Min. inch 3 1/8	NPSH 3%	ft

#### Pump Materials

Pump body	Stainless steel / AISI 304
Impeller	Stainless steel / AISI 304
Diffuser	Stainless steel / AISI 304
Outer sleeve	Stainless steel / AISI 304
Shaft	Stainless steel / AISI 304
Adapter	Cast iron
Base	Aluminium
Coupling	Aluminium
SEAL HOUSING	Stainless steel / AISI 304
Coupling protection	Stainless steel / AISI 304
Shaft sleeve and bushing	Tungsten carbide
Fill / drain plugs	Stainless steel / AISI 304
Tie rods	Galvanized steel
Wear ring	Technopolymer PPS

#### Shaft Seal

e-SV Mechanical seal	Roten
e-SV - Uniten (-30 / +120 °C)	
1 - Rotating part	Silicon Carbide
2 - Stationary part	Resin impregnated carbon
3 - Elastomers	EPDM
4 - Springs	AISI 316
5 - Other components	AISI 316

#### Motor data

Manufacturer	Xylem	Electric voltage	265 V	Speed	1725 rpm	Insulation class	F
Specific design	IE2 3ph Flange Motor			Frame size	71	Colour	RAL 5010
Type	LLM471B14/304						
Rated power	0.49618 hp	Degree of protection	IP55				
Electric current	1.6 A						

#### Remarks:

# 3SV15F00346T/D

## Performance curve

Company name  
Contact  
Phone number  
e-mail address

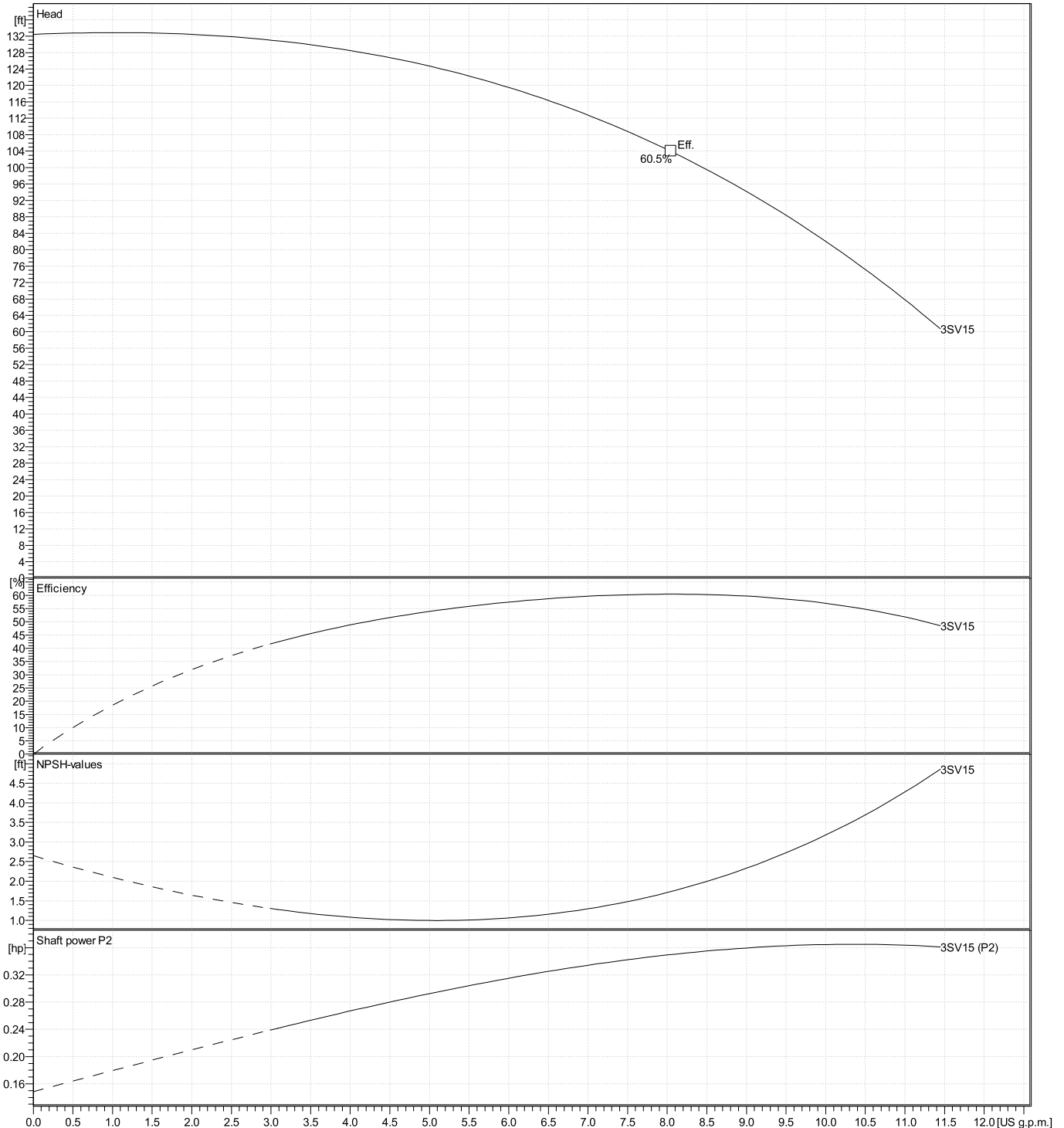
### Hydraulic data

Operating Data Specification		Hydraulic data (duty point)		Impeller design	
Flow	0 US g.p.m.	Flow		Impeller R	3 1/8 inch
Head	0 ft	Head		Frequency	60 Hz
Static head	0 ft	MEI	---	Speed	1750 rpm

**Power datas referred to:**

Water [100%] ; 39.2°F; 62.4lb/ft<sup>3</sup>; 1.69E-5ft<sup>2</sup>/s

Performance according to ISO 9906:2012 – Grade 3B

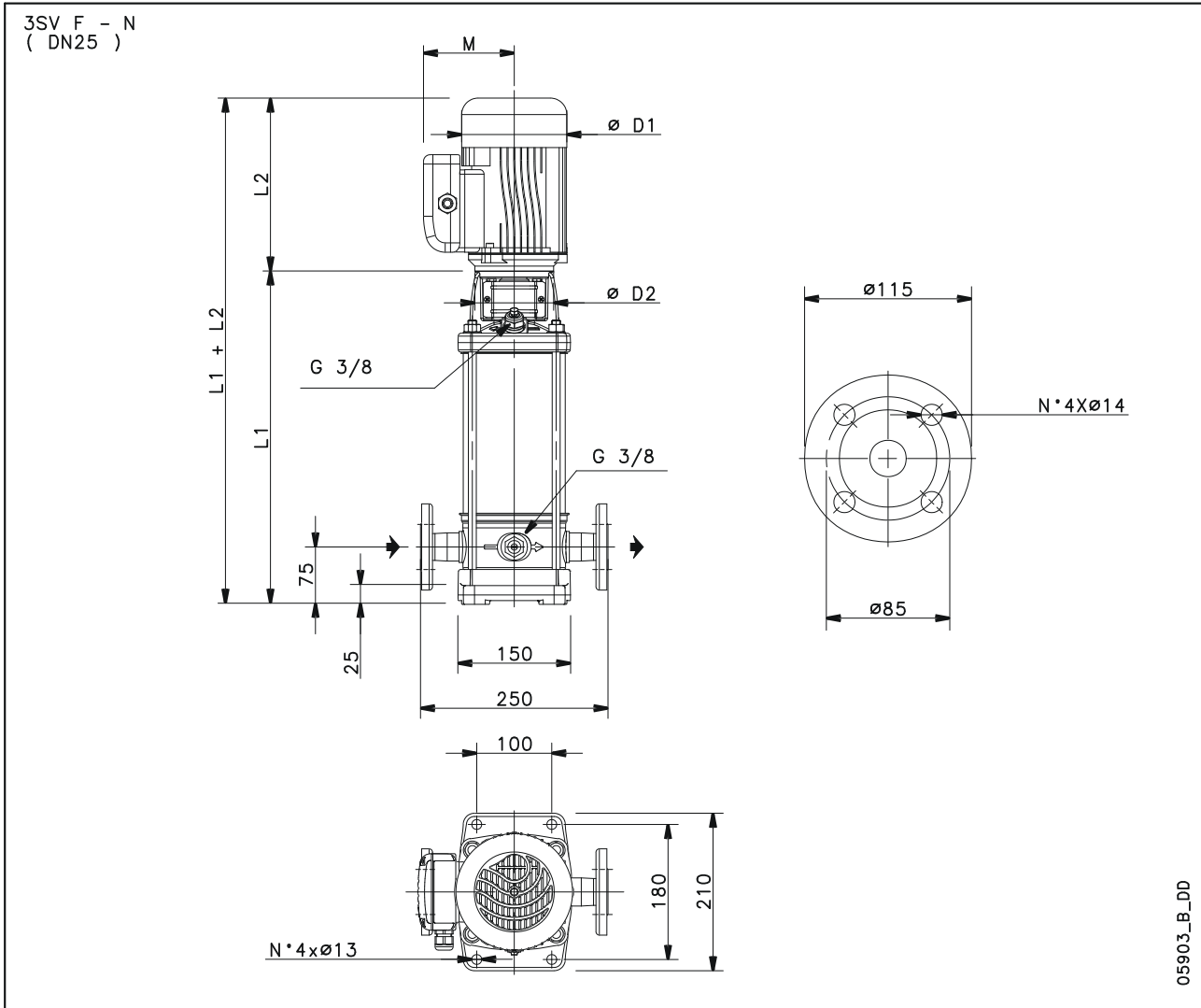


**3SV15F00346T/D**

**Dimensions**

Company name  
Contact  
Phone number  
e-mail address

**Drawing**



**Dimensions inch**

D1	6 <sup>1</sup> / <sub>4</sub>					Weight 40 lb
D2	4 <sup>1</sup> / <sub>8</sub>					
L1	20 <sup>7</sup> / <sub>8</sub>					
L2	8 <sup>3</sup> / <sub>8</sub>					
M	4 <sup>5</sup> / <sub>16</sub>					