

## 46SV9G07546T/D

### Technical data

Company name  
Contact  
Phone number  
e-mail address

#### Operating data

|                           |                  |                           |                             |
|---------------------------|------------------|---------------------------|-----------------------------|
| Pump type                 | Single head pump | Fluid                     | Water                       |
| Available system NPSH     | ft 0             | Operating temperature t A | °F 39.2                     |
| Nominal flow              | US g.p.m. 0      | pH-value at t A           | 7                           |
| Nominal head              | ft 0             | Density at t A            | lb/ft <sup>3</sup> 62.4     |
| Static head               | ft 0             | Kin. viscosity at t A     | ft <sup>2</sup> /s 1.689E-5 |
| Inlet pressure            | psi 0            | Vapor pressure at t A     | psi 14.5                    |
| Environmental temperature | °F 68            | Solids                    | 0                           |
|                           |                  | Altitude                  | ft 0                        |

#### Pump data

|                       |                     |                  |                      |
|-----------------------|---------------------|------------------|----------------------|
| Make                  | Lowara              | Nominal          | US g.p.m. ( )        |
| Speed                 | rpm 1750            | Flow             | Max- US g.p.m. 158.5 |
| Number of stages      | 9                   |                  | Min- US g.p.m.       |
| Max. casing pressure  | psi                 | Nominal          | ft                   |
| Max. working pressure | psi 122.9           | Head             | at Qmax ft 139.1     |
| Head H(Q=0)           | ft 280              |                  | at Qmin ft 283.5     |
| Weight                | lb 352              | Shaft power      | hp ( )               |
|                       | Max. inch 5 1/4     | Max. shaft power | hp 9                 |
| Impeller R            | designed inch 5 1/4 | Efficiency       | %                    |
|                       | Min. inch 5 1/4     | NPSH 3%          | ft                   |

#### Pump Materials

|                          |                             |
|--------------------------|-----------------------------|
| Pump body                | Cast iron                   |
| Lower support            | Cast iron                   |
| Impeller                 | Stainless steel / AISI 316L |
| Diffuser                 | Stainless steel / AISI 304  |
| Outer sleeve             | Stainless steel / AISI 304  |
| Shaft                    | Stainless steel / AISI 431  |
| Adapter                  | Cast iron                   |
| Wear ring                | Technopolymer PPS           |
| Coupling                 | Cast iron                   |
| Upper head               | Cast iron                   |
| SEAL HOUSING             | Cast iron                   |
| Coupling protection      | Stainless steel / AISI 304  |
| Shaft sleeve and bushing | Tungsten carbide            |
| Bushing for diffuser     | Carbon                      |
| Fill / drain plugs       | Stainless steel / AISI 316  |

#### Shaft Seal

|                              |                          |
|------------------------------|--------------------------|
| e-SV Mechanical seal         | Roten                    |
| e-SV - Uiten (-30 / +120 °C) |                          |
| 1 - Rotating part            | Silicon Carbide          |
| 2 - Stationary part          | Resin impregnated carbon |
| 3 - Elastomers               | EPDM                     |
| 4 - Springs                  | AISI 316                 |
| 5 - Other components         | AISI 316                 |

#### Motor data

|                  |   |                           |       |            |          |                  |          |
|------------------|---|---------------------------|-------|------------|----------|------------------|----------|
| Manufacturer     | Lowara                                    | Electric voltage          | 220 V | Speed      | 1746 rpm | Insulation class | F        |
| Specific design  | IE3 3ph Flange Motor - Premium Efficiency |                           |       | Frame size | 132 M    | Colour           | RAL 5010 |
| Type             | PLM 132 B5 7,5 kW                         |                           |       |            |          |                  |          |
| Rated power      | 10.058 hp                                 | Degree of protection IP55 |       |            |          |                  |          |
| Electric current | 26.6 A                                    |                           |       |            |          |                  |          |

#### Remarks:

# 46SV9G07546T/D

## Performance curve

Company name  
Contact  
Phone number  
e-mail address

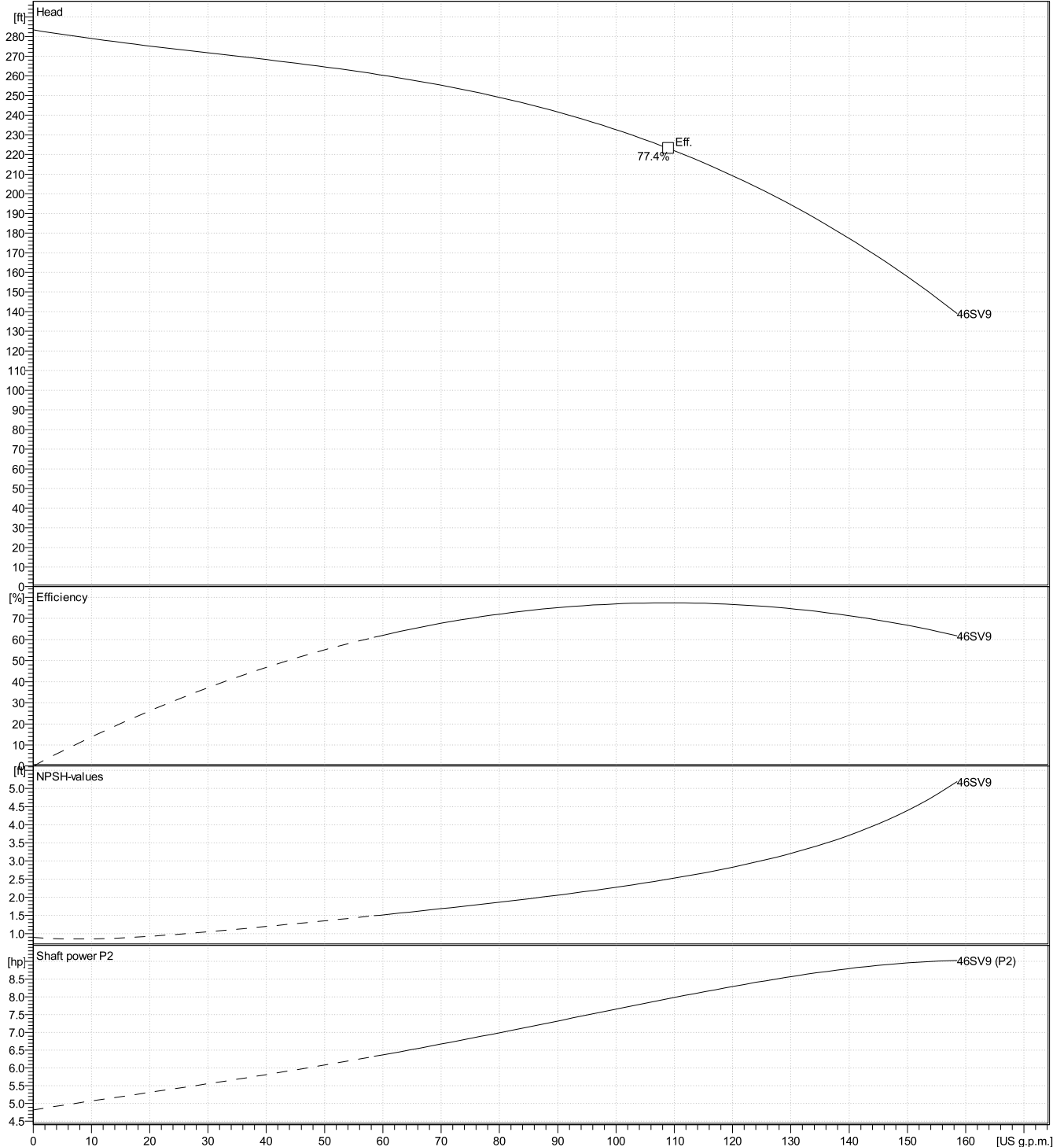
### Hydraulic data

| Operating Data Specification |             | Hydraulic data (duty point) |     | Impeller design |            |
|------------------------------|-------------|-----------------------------|-----|-----------------|------------|
| Flow                         | 0 US g.p.m. | Flow                        |     | Impeller R      | 5 1/4 inch |
| Head                         | 0 ft        | Head                        |     | Frequency       | 60 Hz      |
| Static head                  | 0 ft        | MEI                         | --- | Speed           | 1750 rpm   |

**Power datas referred to:**

Water [100%] ; 39.2°F; 62.4lb/ft<sup>3</sup>; 1.69E-5ft<sup>2</sup>/s

Performance according to ISO 9906:2012 – Grade 3B

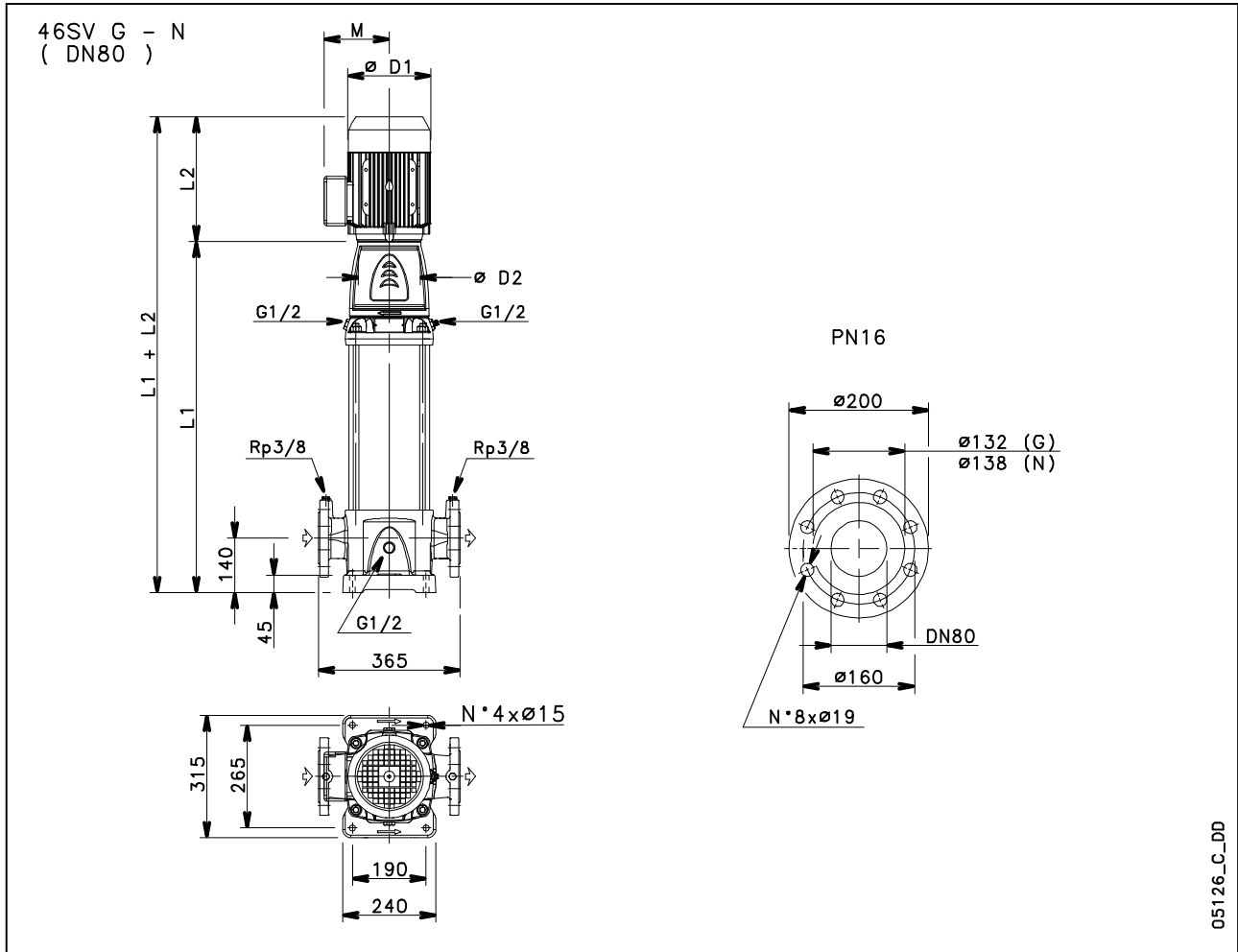


**46SV9G07546T/D**

**Dimensions**

Company name  
Contact  
Phone number  
e-mail address

**Drawing**



**Dimensions inch**

Electrical and dimensional data refer to IE3 motor

|    |                                  |  |  |  |  |                  |
|----|----------------------------------|--|--|--|--|------------------|
| D1 | 10 <sup>1</sup> / <sub>16</sub>  |  |  |  |  | Weight<br>400 lb |
| D2 | 11 <sup>13</sup> / <sub>16</sub> |  |  |  |  |                  |
| L1 | 45 <sup>1</sup> / <sub>4</sub>   |  |  |  |  |                  |
| L2 | 15 <sup>9</sup> / <sub>16</sub>  |  |  |  |  |                  |
| M  | 7 <sup>1</sup> / <sub>2</sub>    |  |  |  |  |                  |