

## 46SV6/1AG3706T/E

### Technical data

Company name  
Contact  
Phone number  
e-mail address

#### Operating data

Pump type	Single head pump	Fluid	Water
Available system NPSH	ft 0	Operating temperature t A	°F 39.2
Nominal flow	US g.p.m. 0	pH-value at t A	7
Nominal head	ft 0	Density at t A	lb/ft <sup>3</sup> 62.4
Static head	ft 0	Kin. viscosity at t A	ft <sup>2</sup> /s 1.689E-5
Inlet pressure	psi 0	Vapor pressure at t A	psi 14.5
Environmental temperature	°F 68	Solids	0
		Altitude	ft 0

#### Pump data

Make	Lowara	Nominal	US g.p.m. ( )
Speed	rpm 3500	Flow	Max- US g.p.m. 317
Number of stages	6		Min- US g.p.m.
Max. casing pressure	psi	Nominal	ft
Max. working pressure	psi 315.9	Head	at Qmax ft 370.6
Head H(Q=0)	ft 730		at Qmin ft 728.4
Weight	lb 712	Shaft power	hp ( )
	Max. inch 5 1/4	Max. shaft power	hp 48.3
Impeller R	designed inch 5 1/4	Efficiency	%
	Min. inch 5 1/4	NPSH 3%	ft

#### Pump Materials

Pump body	Cast iron
Lower support	Cast iron
Impeller	Stainless steel / AISI 316L
Diffuser	Stainless steel / AISI 304
Outer sleeve	Stainless steel / AISI 304
Shaft	Stainless steel / AISI 431
Adapter	Cast iron
Wear ring	Technopolymer PPS
Coupling	Cast iron
Upper head	Cast iron
SEAL HOUSING	Cast iron
Coupling protection	Stainless steel / AISI 304
Shaft sleeve and bushing	Tungsten carbide
Bushing for diffuser	Carbon
Fill / drain plugs	Stainless steel / AISI 316

#### Shaft Seal

e-SV Mechanical seal	Roten
e-SV - Uiten (-30 / +120 °C)	
1 - Rotating part	Silicon Carbide
2 - Stationary part	Resin impregnated carbon
3 - Elastomers	EPDM
4 - Springs	AISI 316
5 - Other components	AISI 316

#### Motor data

Manufacturer	Lowara	Electric voltage	380 V	Speed	3552 rpm	Insulation class	F
Specific design	IE3 3ph Flange Motor - Premium Efficiency			Frame size	200 L	Colour	RAL 5010
Type	3MAS 200 L B5 37 kW						
Rated power	49.618 hp	Degree of protection IP55					
Electric current	66.5 A						

#### Remarks:

# 46SV6/1AG3706T/E

## Performance curve

Company name  
Contact  
Phone number  
e-mail address

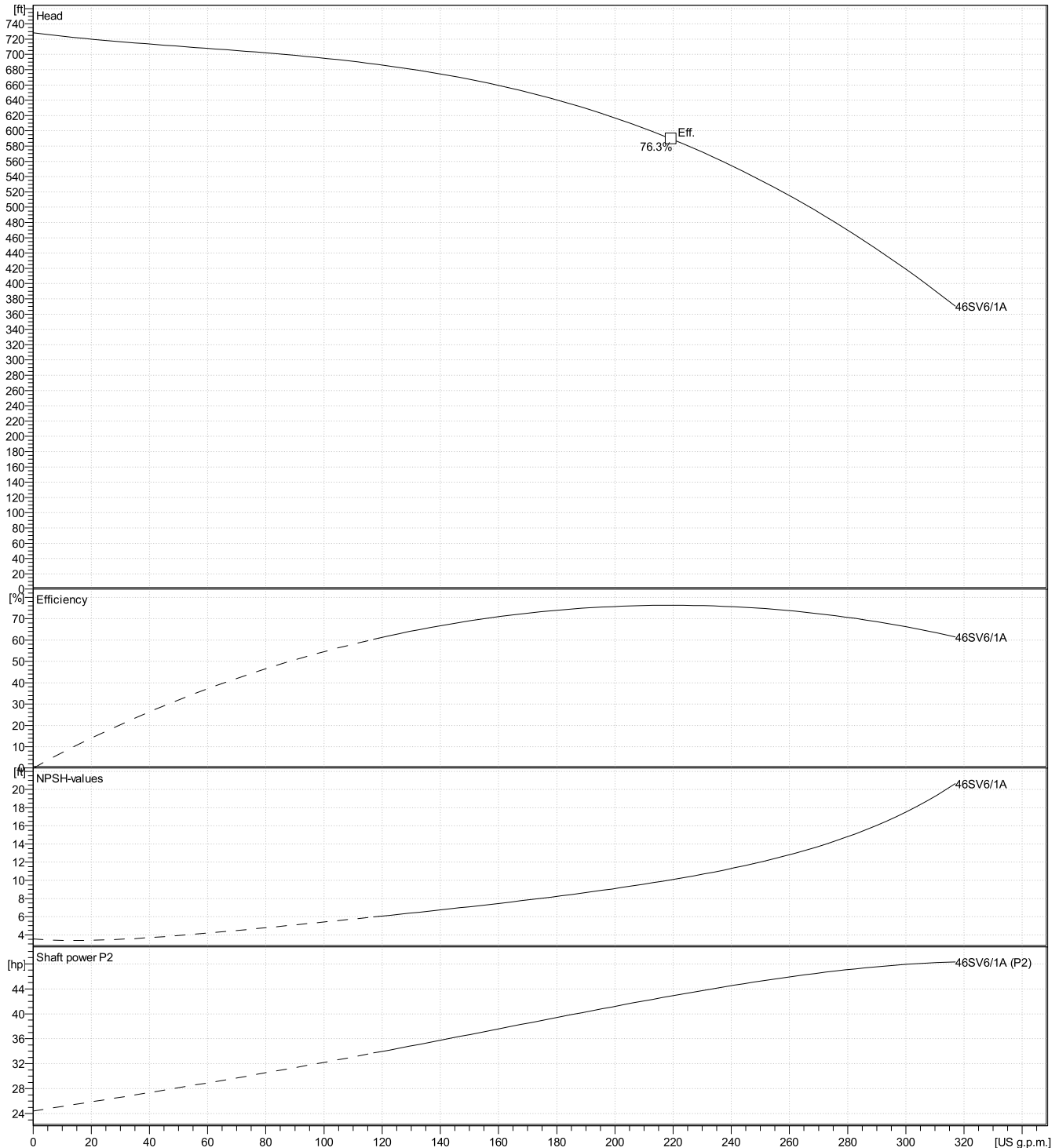
### Hydraulic data

Operating Data Specification		Hydraulic data (duty point)		Impeller design	
Flow	0 US g.p.m.	Flow		Impeller R	5 1/4 inch
Head	0 ft	Head		Frequency	60 Hz
Static head	0 ft	MEI	---	Speed	3500 rpm

**Power datas referred to:**

Water [100%] ; 39.2°F; 62.4lb/ft³; 1.69E-5ft²/s

Performance according to ISO 9906:2012 – Grade 3B

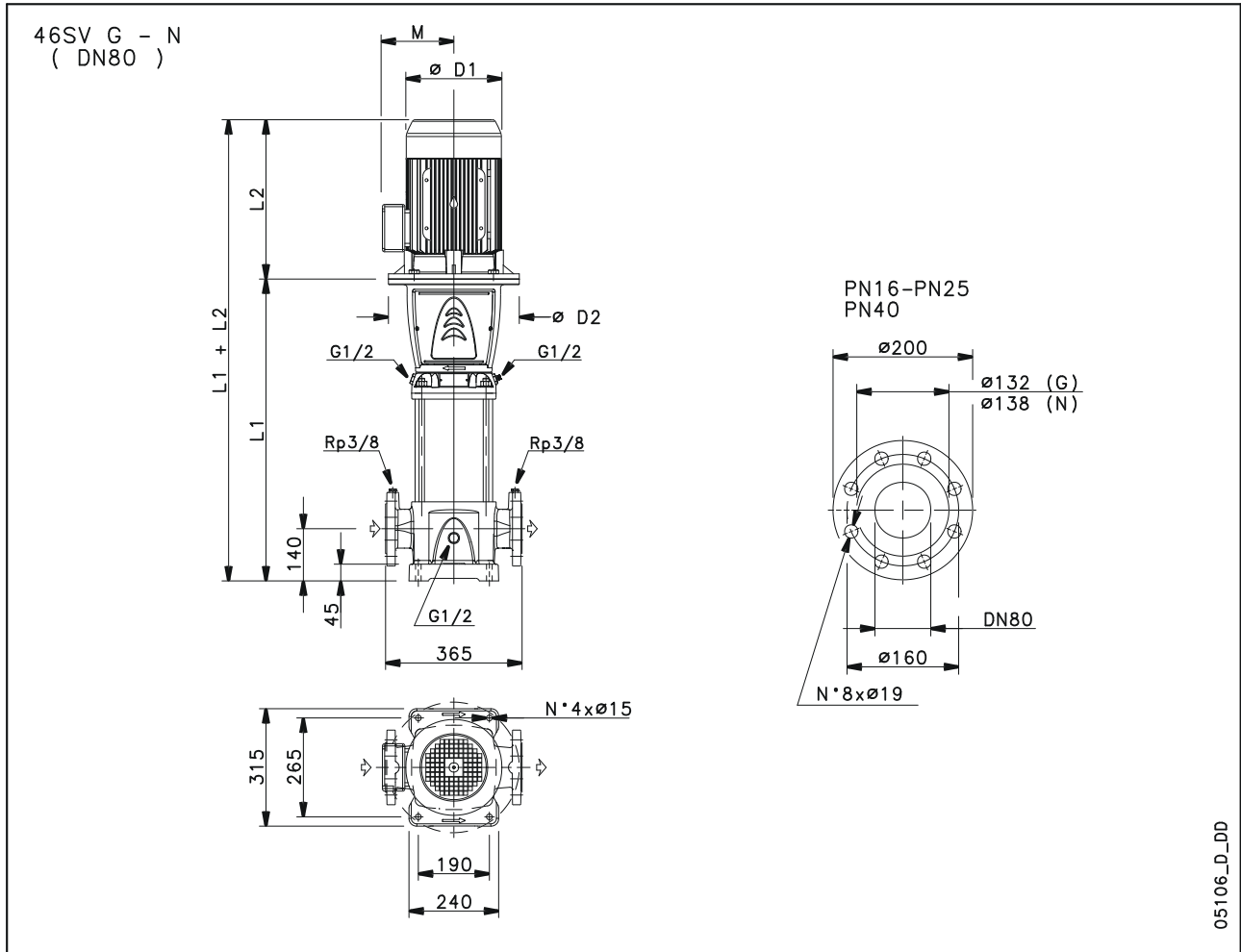


**46SV6/1AG3706T/E**

**Dimensions**

Company name  
Contact  
Phone number  
e-mail address

**Drawing**



05106\_D\_DD

**Dimensions inch**

Electrical and dimensional data refer to IE3 motor

D1	16 <sup>1</sup> / <sub>16</sub>					Weight 700 lb
D2	15 <sup>3</sup> / <sub>4</sub>					
L1	37 <sup>3</sup> / <sub>4</sub>					
L2	26 <sup>7</sup> / <sub>16</sub>					
M	11 <sup>13</sup> / <sub>16</sub>					