

10HM03P15T5RVBE

Technical data

Company name
Contact
Phone number
e-mail address

Operating data

| | | | |
|---------------------------|---------------------|---------------------------|--------------------------|
| Pump type | Single head pump | Fluid | Water |
| Available system NPSH | m 0 | Operating temperature t A | °C 4 |
| Nominal flow | m ³ /h 0 | pH-value at t A | 7 |
| Nominal head | m 0 | Density at t A | kg/m ³ 1000 |
| Static head | m 0 | Kin. viscosity at t A | mm ² /s 1.569 |
| Inlet pressure | kPa 0 | Vapor pressure at t A | kPa 100 |
| Environmental temperature | °C 20 | Solids | 0 |
| | | Altitude | m 0 |

Pump data

| | | | |
|-----------------------|----------------|------------------|---------------------------|
| Make | Lowara | Nominal | m ³ /h () |
| Speed | rpm 2900 | Flow | Max- m ³ /h 14 |
| Number of stages | 3 | | Min- m ³ /h |
| Max. casing pressure | kPa | Nominal | m |
| Max. working pressure | kPa 453 | Head | at Qmax m 20.6 |
| Head H(Q=0) | m 46 | | at Qmin m 46.2 |
| Weight | kg 17 | Shaft power | kW () |
| | Max. mm 73 | Max. shaft power | kW 1.5 |
| Impeller R | designed mm 73 | Efficiency | % |
| | Min. mm 73 | NPSH 3% | m |

Pump Materials

| | |
|--------------------|----------------------------|
| Head | Stainless steel / AISI 304 |
| Impeller | Technopolymer Noryl |
| Diffuser | Stainless steel / AISI 304 |
| Outer sleeve | Stainless steel / AISI 304 |
| Shaft | Stainless steel / AISI 304 |
| Adapter | Aluminium |
| Ring with foot | Aluminium |
| SEAL HOUSING | Stainless steel / AISI 304 |
| Wear ring | Technopolymer |
| Fill / drain plugs | Stainless steel / AISI 316 |
| Tie rods | Stainless steel / AISI 431 |

Shaft Seal

| | |
|----------------------|---------------------------|
| e-HM Mechanical seal | Roten |
| e-HM - Roten | |
| 1 - Rotating part | Aluminium oxide (Ceramic) |
| 2 - Stationary part | Carbon, resin-impregnated |
| 3 - Elastomers | EPDM |
| 4 - Springs | AISI 316 |
| 5 - Other components | AISI 316 |

Motor data

| | | | | | | | |
|------------------|----------------------|----------------------|-------|------------|----------|------------------|----------|
| Manufacturer | Lowara | Electric voltage | 230 V | Speed | 2880 rpm | Insulation class | F |
| Specific design | IE3 3ph Flange Motor | | | Frame size | 80 | Colour | RAL 5010 |
| Type | SM80HM/315 E3 | | | | | | |
| Rated power | 1.5 kW | Degree of protection | IP55 | | | | |
| Electric current | 5.49 A | | | | | | |

Remarks:

10HM03P15T5RVBE

Performance curve

Company name
Contact
Phone number
e-mail address

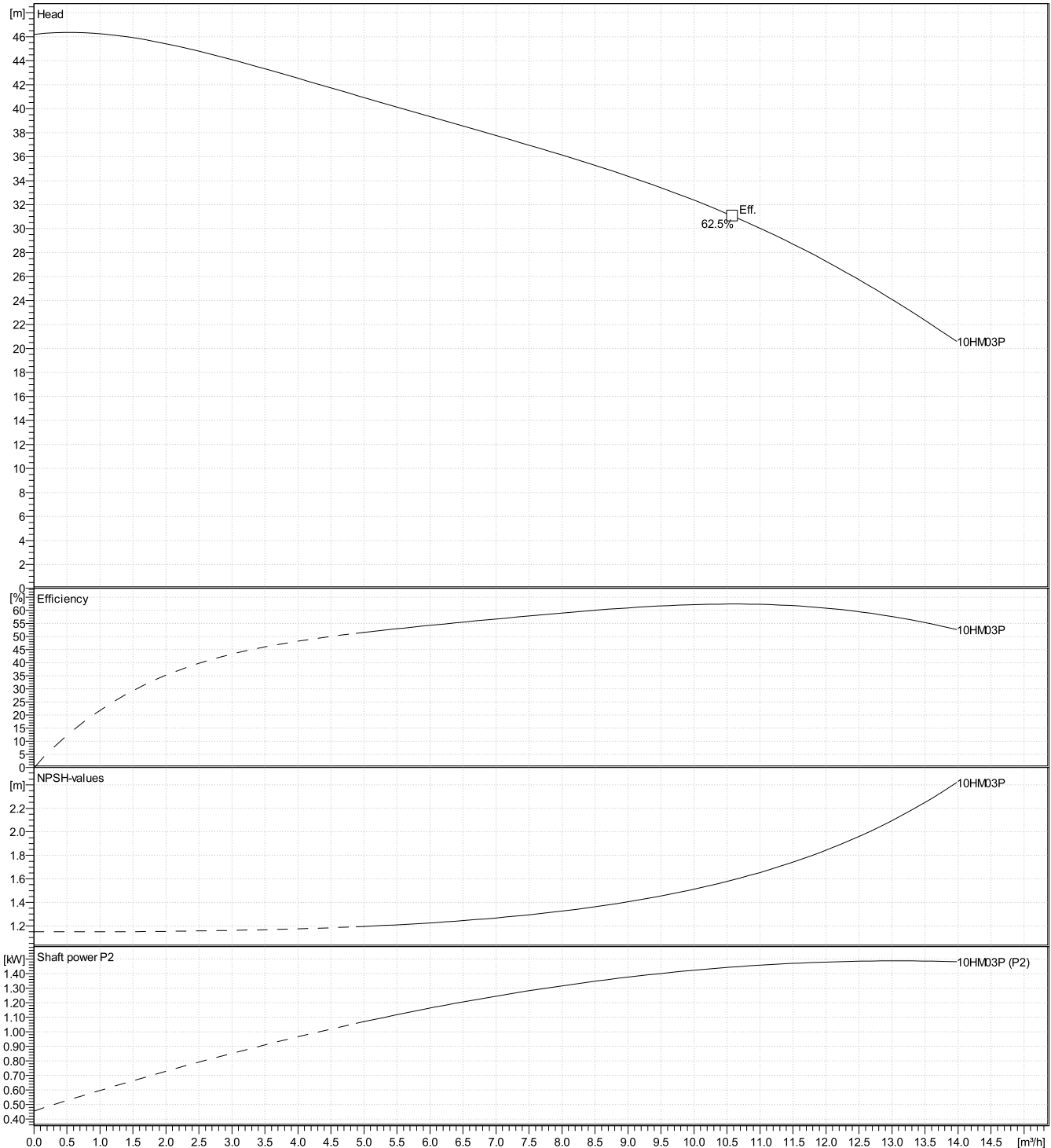
Hydraulic data

| Operating Data Specification | | Hydraulic data (duty point) | | Impeller design | |
|------------------------------|---------------------|-----------------------------|--|-----------------|----------|
| Flow | 0 m ³ /h | Flow | | Impeller R | 73 mm |
| Head | 0 m | Head | | Frequency | 50 Hz |
| Static head | 0 m | | | Speed | 2900 rpm |

Power datas referred to:

Water [100%] ; 4°C; 1000kg/m³; 1.57mm²/s

Performance according to ISO 9906:2012 – Grade 3B

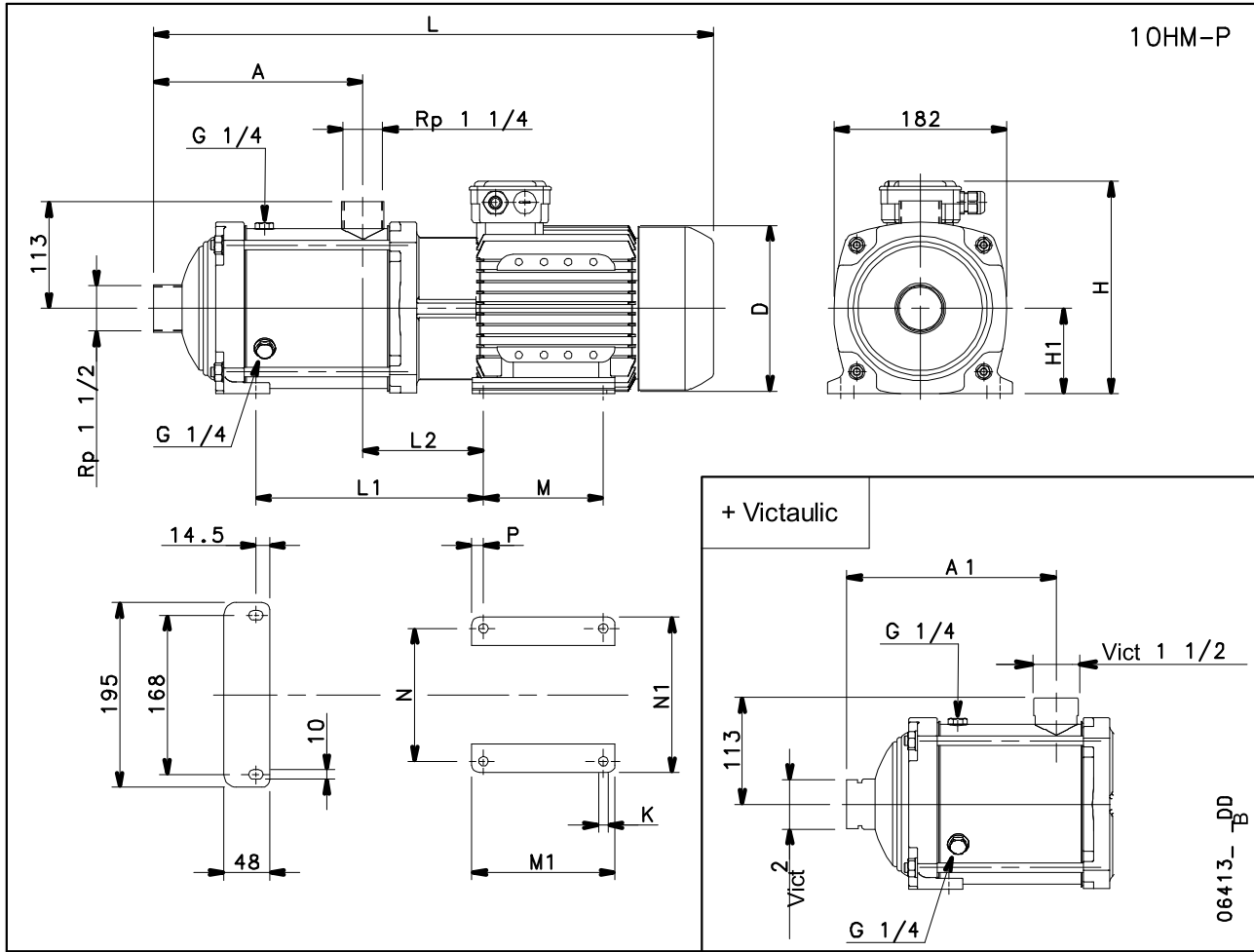


10HM03P15T5RVBE

Dimensions

Company name
Contact
Phone number
e-mail address

Drawing



Dimensions mm

| | | | | |
|----|-------|----|------|-----------------|
| A | 125 | L2 | 105 | Weight 20 kg |
| A1 | 137.1 | M | 100 | |
| D | 155 | M1 | 125 | |
| H | 219 | N | 125 | |
| H1 | 90 | N1 | 155 | |
| K | 10 | P | 12.5 | |
| L | 443 | PN | 10 | |