

5HM02P07T6PVBE

Technical data

Company name
Contact
Phone number
e-mail address

Operating data

Pump type	Single head pump	Fluid	Water
Available system NPSH	ft 0	Operating temperature t A	°F 39.2
Nominal flow	US g.p.m. 0	pH-value at t A	7
Nominal head	ft 0	Density at t A	lb/ft ³ 62.4
Static head	ft 0	Kin. viscosity at t A	ft ² /s 1.689E-5
Inlet pressure	psi 0	Vapor pressure at t A	psi 14.5
Environmental temperature	°F 68	Solids	0
		Altitude	ft 0

Pump data

Make	Lowara	Nominal	US g.p.m. ()
Speed	rpm 3500	Flow	Max- US g.p.m. 37
Number of stages	2		Min- US g.p.m.
Max. casing pressure	psi	Nominal	ft
Max. working pressure	psi 50.6	Head	at Qmax ft 46.4
Head H(Q=0)	ft 120		at Qmin ft 116.6
Weight	lb 26	Shaft power	hp ()
	Max. inch 4 1/32	Max. shaft power	hp 1
Impeller R	designed inch 4 1/32	Efficiency	%
	Min. inch 4 1/32	NPSH 3%	ft

Pump Materials

Pump body	Stainless steel / AISI 304
Impeller	Technopolymer Noryl
Diffuser	Stainless steel / AISI 304
Shaft	Stainless steel / AISI 304
Adapter	Aluminium
SEAL HOUSING	Stainless steel / AISI 304
Fill / drain plugs	Nickel-plated brass
Wear ring	Technopolymer
Bolts and screws	Stainless steel / AISI 304

Shaft Seal

e-HM Mechanical seal	Roten
e-HM - Roten	
1 - Rotating part	Aluminium oxide (Ceramic)
2 - Stationary part	Carbon, resin-impregnated
3 - Elastomers	EPDM
4 - Springs	AISI 316
5 - Other components	AISI 316

Motor data

Manufacturer	Lowara	Electric voltage	220 V	Speed	3490 rpm	Insulation class	F
Specific design	IE3 3ph Flange Motor			Frame size	80	Colour	RAL 5010
Type	SM80HM/307 E3						
Rated power	1.0058 hp	Degree of protection	IP55				
Electric current	3.03 A						

Remarks:

5HM02P07T6PVBE

Performance curve

Company name
Contact
Phone number
e-mail address

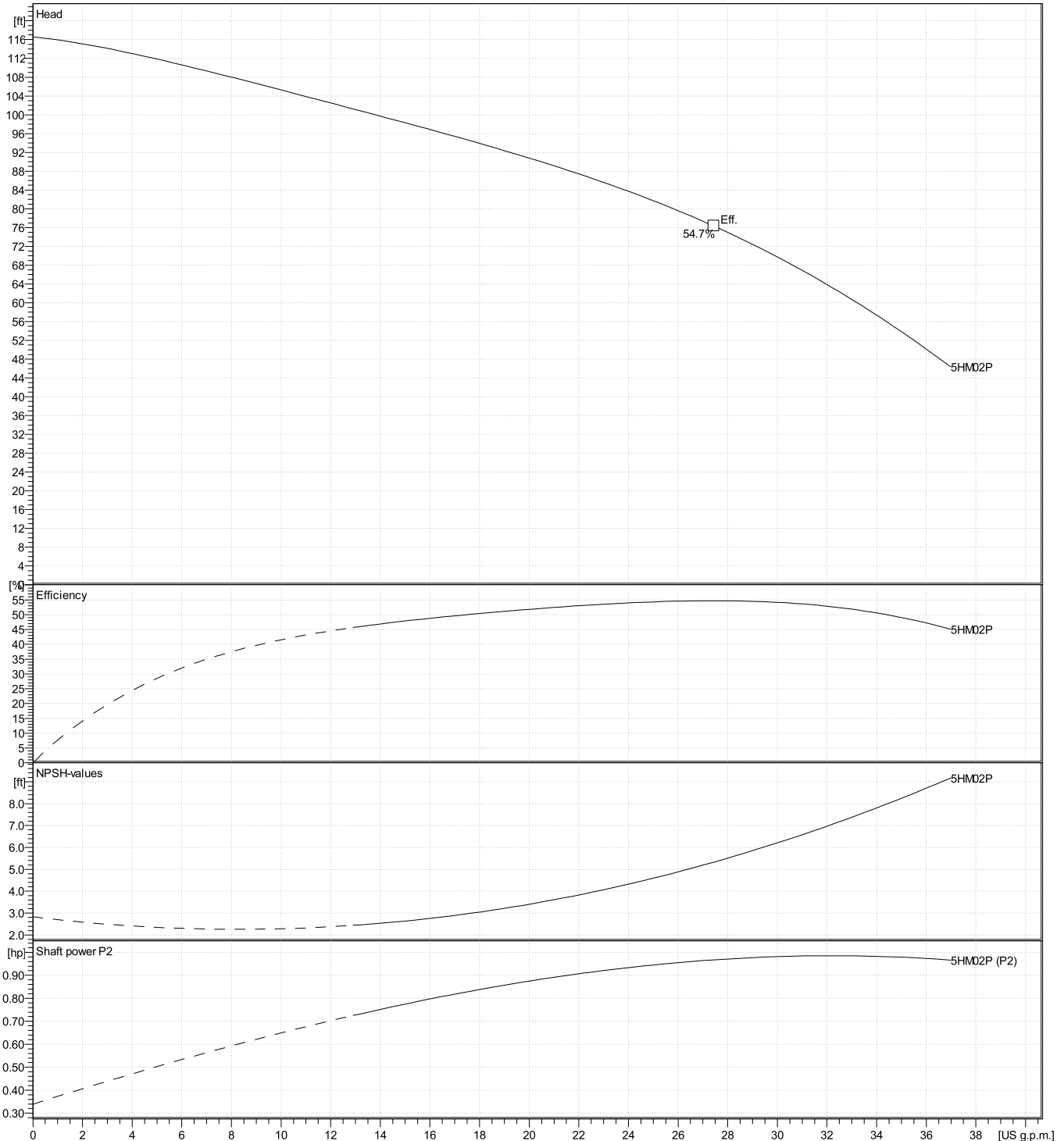
Hydraulic data

Operating Data Specification		Hydraulic data (duty point)		Impeller design	
Flow	0 US g.p.m.	Flow		Impeller R	4 1/32 inch
Head	0 ft	Head		Frequency	60 Hz
Static head	0 ft			Speed	3500 rpm

Power datas referred to:

Water [100%] ; 39.2°F; 62.4lb/ft³; 1.69E-5ft²/s

Performance according to ISO 9906:2012 – Grade 3B

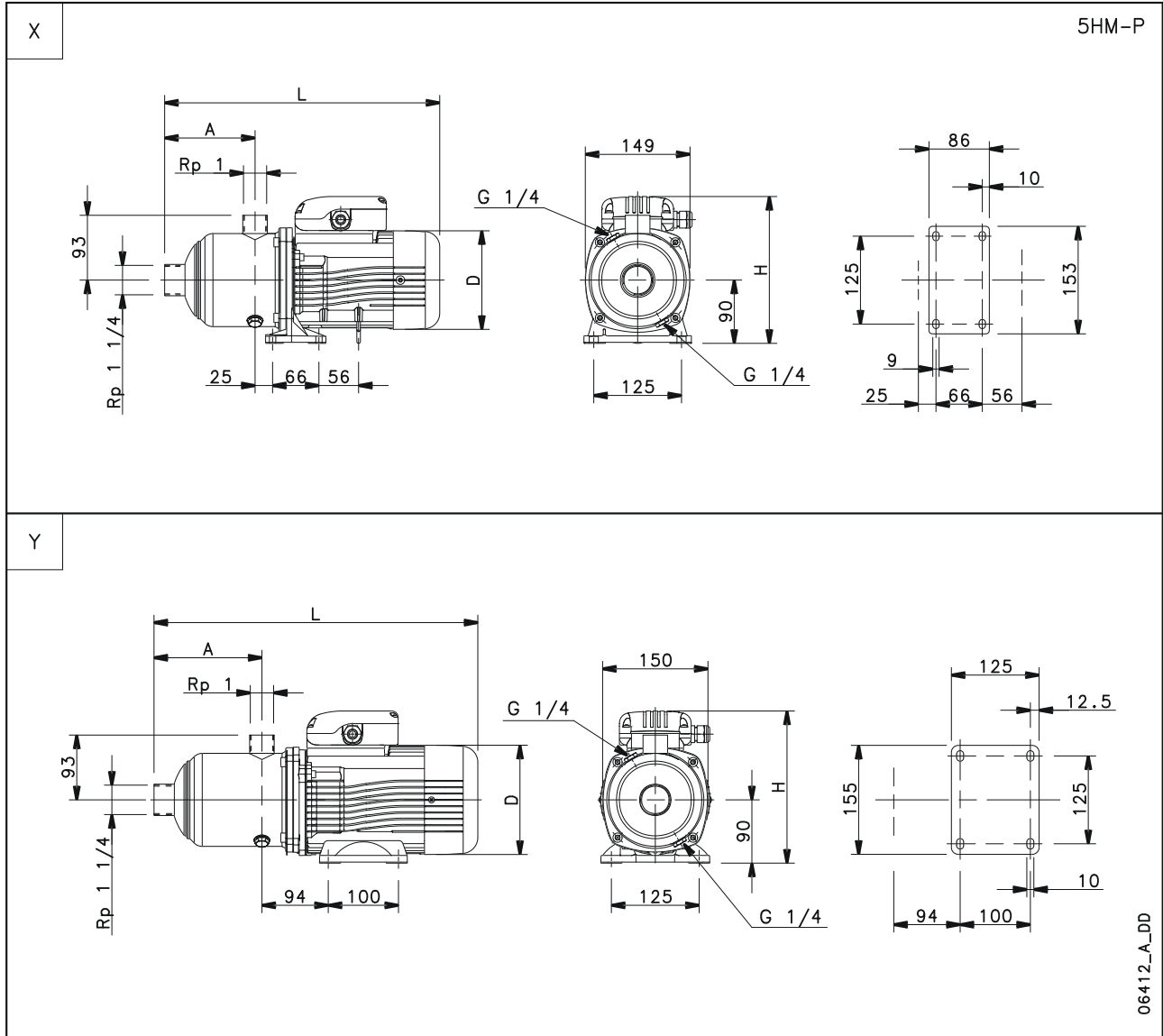


5HM02P07T6PVBE

Dimensions

Company name
Contact
Phone number
e-mail address

Drawing



Dimensions inch

A	3 1/2					Weight 30 lb
D	6 7/8					
Drawing	Y					
H	8 5/8					
L	15 5/8					
PN	3/8					