

3HM02S03T5RVBE

Technical data

Company name
Contact
Phone number
e-mail address

Operating data

Pump type	Single head pump	Fluid	Water
Available system NPSH	m 0	Operating temperature t A	°C 4
Nominal flow	m ³ /h 0	pH-value at t A	7
Nominal head	m 0	Density at t A	kg/m ³ 1000
Static head	m 0	Kin. viscosity at t A	mm ² /s 1.569
Inlet pressure	kPa 0	Vapor pressure at t A	kPa 100
Environmental temperature	°C 20	Solids	0
		Altitude	m 0

Pump data

Make	Lowara	Nominal	m ³ /h ()
Speed	rpm 2900	Flow	Max- m ³ /h 4.4
Number of stages	2		Min- m ³ /h
Max. casing pressure	kPa	Nominal	m
Max. working pressure	kPa 145.1	Head	at Qmax m 6.2
Head H(Q=0)	m 15		at Qmin m 14.8
Weight	kg 6	Shaft power	kW ()
	Max. mm 73	Max. shaft power	kW .2
Impeller R	designed mm 73	Efficiency	%
	Min. mm 73	NPSH 3%	m

Pump Materials

Pump body	Stainless steel / AISI 304
Impeller	Stainless steel / AISI 304
Diffuser	Stainless steel / AISI 304
Shaft	Stainless steel / AISI 316
Adapter	Aluminium
SEAL HOUSING	Stainless steel / AISI 304
Fill / drain plugs	Stainless steel / AISI 316
Wear ring	Technopolymer
Bolts and screws	Stainless steel / AISI 304

Shaft Seal

e-HM Mechanical seal	Roten
e-HM - Roten	
1 - Rotating part	Aluminium oxide (Ceramic)
2 - Stationary part	Carbon, resin-impregnated
3 - Elastomers	EPDM
4 - Springs	AISI 316
5 - Other components	AISI 316

Motor data

Manufacturer	Lowara	Electric voltage	230 V	Speed	2750 rpm	Insulation class	F
Specific design	IE2 3ph Flange Motor			Frame size	63	Colour	RAL 5010
Type	SM63HM/303 E2						
Rated power	0.3 kW	Degree of protection	IP55				
Electric current	1.82 A						

Remarks:

3HM02S03T5RVBE

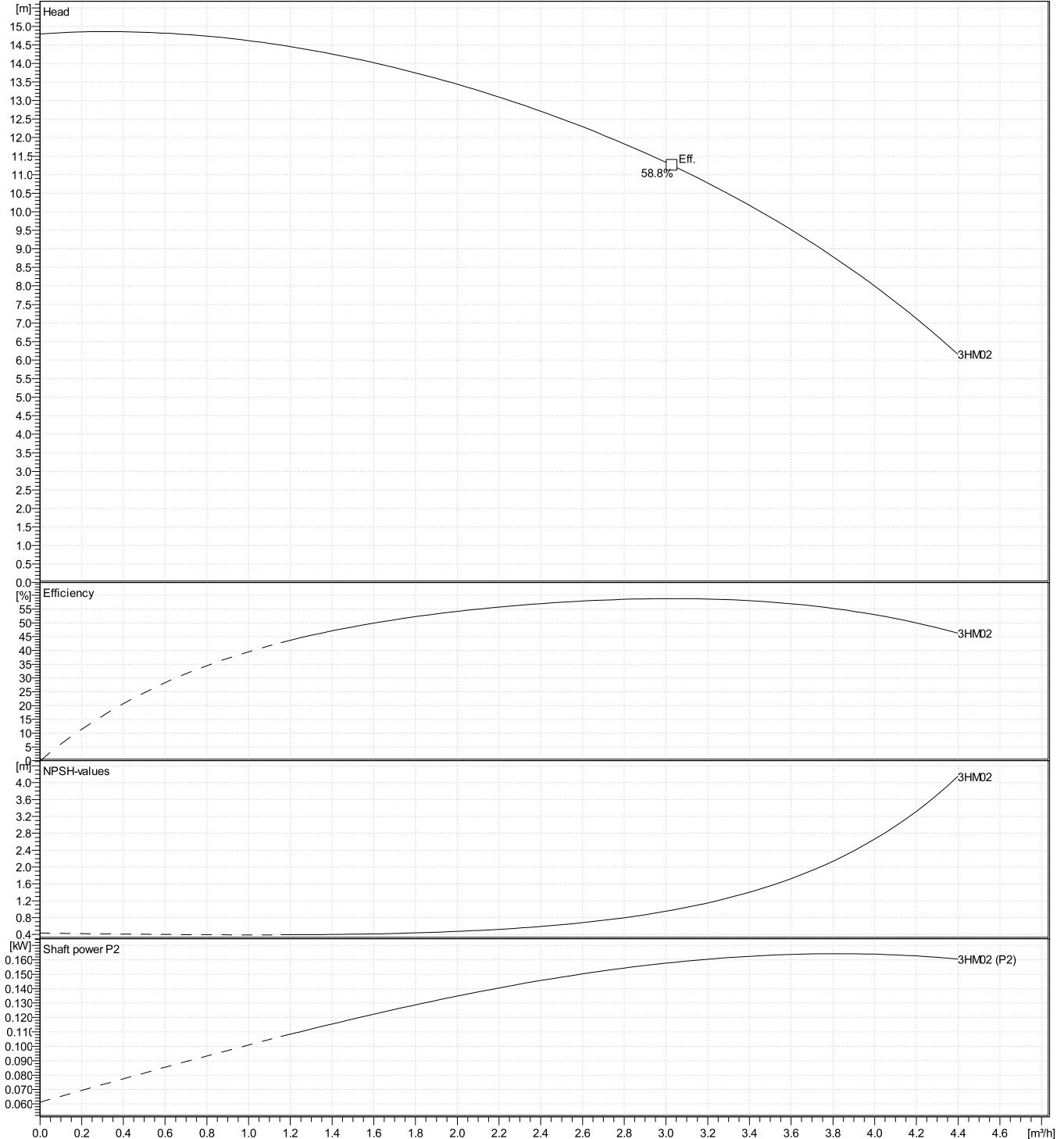
Performance curve

Company name
Contact
Phone number
e-mail address

Hydraulic data

Operating Data Specification		Hydraulic data (duty point)		Impeller design	
Flow	0 m ³ /h	Flow		Impeller R	73 mm
Head	0 m	Head		Frequency	50 Hz
Static head	0 m			Speed	2900 rpm

Power datas referred to:
Water [100%] ; 4°C; 1000kg/m³; 1.57mm²/s
Performance according to ISO 9906:2012 – Grade 3B

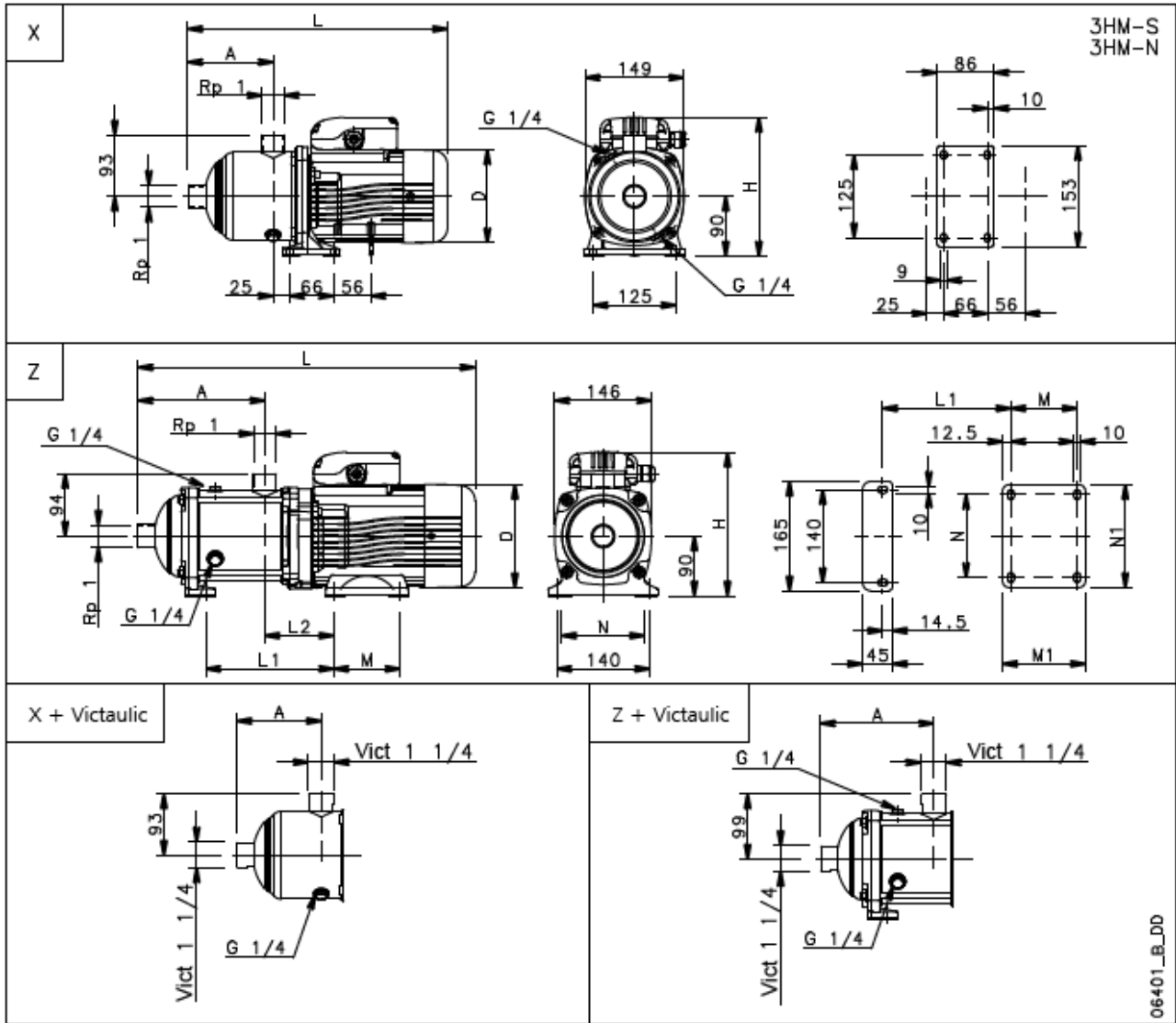


3HM02S03T5RVBE

Dimensions

Company name
Contact
Phone number
e-mail address

Drawing



06401_B_DD

Dimensions mm

A	87					Weight 6 kg
D	120					
Drawing	X					
H	201					
L	336					
PN	10					