

## 3HM21S22T5RQBE

### Technical data

Company name  
Contact  
Phone number  
e-mail address

#### Operating data

Pump type	Single head pump	Fluid	Water
Available system NPSH	m 0	Operating temperature t A	°C 4
Nominal flow	m <sup>3</sup> /h 0	pH-value at t A	7
Nominal head	m 0	Density at t A	kg/m <sup>3</sup> 1000
Static head	m 0	Kin. viscosity at t A	mm <sup>2</sup> /s 1.569
Inlet pressure	kPa 0	Vapor pressure at t A	kPa 100
Environmental temperature	°C 20	Solids	0
		Altitude	m 0

#### Pump data

Make	Lowara	Nominal	m <sup>3</sup> /h ( )
Speed	rpm 2900	Flow	Max- m <sup>3</sup> /h 4.4
Number of stages	21	Min-	m <sup>3</sup> /h
Max. casing pressure	kPa	Nominal	m
Max. working pressure	kPa 1560.6	Head	at Qmax m 71.6
Head H(Q=0)	m 160	at Qmin	m 159.1
Weight	kg 26	Shaft power	kW ( )
	Max. mm 73	Max. shaft power	kW 1.8
Impeller R	designed mm 73	Efficiency	%
	Min. mm 73	NPSH 3%	m

#### Pump Materials

Head	Stainless steel / AISI 304
Impeller	Stainless steel / AISI 304
Diffuser	Stainless steel / AISI 304
Outer sleeve	Stainless steel / AISI 304
Shaft	Stainless steel / AISI 316
Adapter	Aluminium
Ring with foot	Aluminium
SEAL HOUSING	Stainless steel / AISI 304
Shaft sleeve and bushing	Tungsten carbide
Fill / drain plugs	Stainless steel / AISI 316
Tie rods	Stainless steel / AISI 431
Wear ring	Technopolymer

#### Shaft Seal

e-HM Mechanical seal	Burgmann
e-HM - Burgmann	
1. Rotating ring	Silicon Carbide
2 - Stationary part	Carbon, resin-impregnated
3 - Elastomers	EPDM
4 - Springs	AISI 316
5 - Other components	AISI 316

#### Motor data

Manufacturer	Lowara	Electric voltage	230 V	Speed	2890 rpm	Insulation class	F
Specific design	IE3 3ph Flange Motor			Frame size	90	Colour	RAL 5010
Type	PLM90HM/322 E3						
Rated power	2.2 kW	Degree of protection	IP55				
Electric current	7.9 A						

#### Remarks:

# 3HM21S22T5RQBE

## Performance curve

Company name  
Contact  
Phone number  
e-mail address

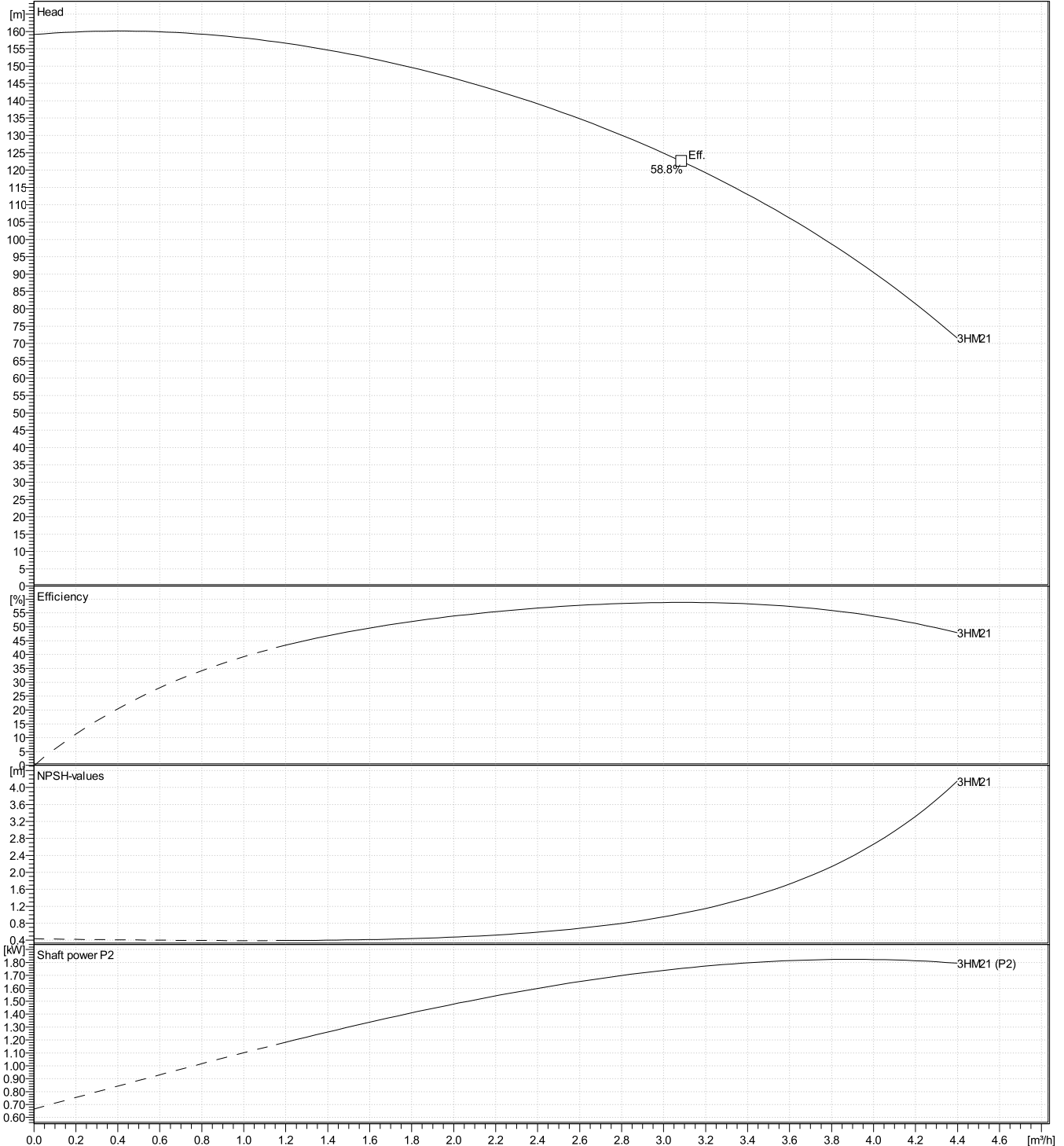
### Hydraulic data

Operating Data Specification		Hydraulic data (duty point)		Impeller design	
Flow	0 m <sup>3</sup> /h	Flow		Impeller R	73 mm
Head	0 m	Head		Frequency	50 Hz
Static head	0 m			Speed	2900 rpm

**Power datas referred to:**

Water [100%] ; 4°C; 1000kg/m<sup>3</sup>; 1.57mm<sup>2</sup>/s

Performance according to ISO 9906:2012 – Grade 3B

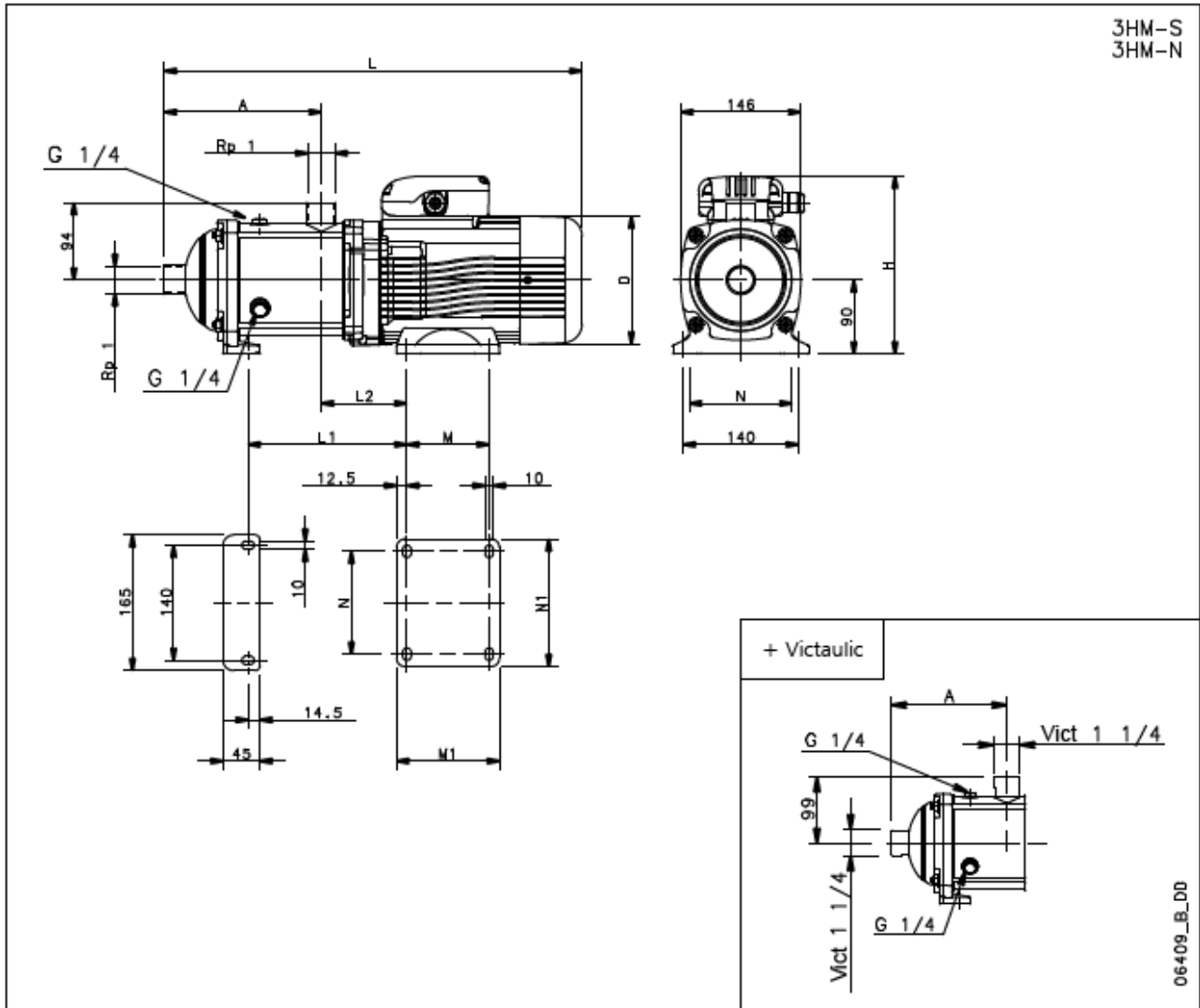


**3HM21S22T5RQBE**

**Dimensions**

Company name  
Contact  
Phone number  
e-mail address

**Drawing**



**Dimensions mm**

Electrical and dimensional data refer to IE3 motor

A	431	N	140	Weight 30 kg
D	174	N1	164	
H	224	PN	16	
L	804			
L1	456			
L2	127			
M	125			