

## 10HM08S30T5RVBE

### Technical data

Company name  
Contact  
Phone number  
e-mail address

#### Operating data

|                           |                     |                           |                          |
|---------------------------|---------------------|---------------------------|--------------------------|
| Pump type                 | Single head pump    | Fluid                     | Water                    |
| Available system NPSH     | m 0                 | Operating temperature t A | °C 4                     |
| Nominal flow              | m <sup>3</sup> /h 0 | pH-value at t A           | 7                        |
| Nominal head              | m 0                 | Density at t A            | kg/m <sup>3</sup> 1000   |
| Static head               | m 0                 | Kin. viscosity at t A     | mm <sup>2</sup> /s 1.569 |
| Inlet pressure            | kPa 0               | Vapor pressure at t A     | kPa 100                  |
| Environmental temperature | °C 20               | Solids                    | 0                        |
|                           |                     | Altitude                  | m 0                      |

#### Pump data

|                       |                |                  |                           |
|-----------------------|----------------|------------------|---------------------------|
| Make                  | Lowara         | Nominal          | m <sup>3</sup> /h ( )     |
| Speed                 | rpm 2900       | Flow             | Max- m <sup>3</sup> /h 14 |
| Number of stages      | 8              |                  | Min- m <sup>3</sup> /h    |
| Max. casing pressure  | kPa            | Nominal          | m                         |
| Max. working pressure | kPa 947.5      | Head             | at Qmax m 47.5            |
| Head H(Q=0)           | m 97           |                  | at Qmin m 96.6            |
| Weight                | kg 31          | Shaft power      | kW ( )                    |
|                       | Max. mm 73     | Max. shaft power | kW 2.9                    |
| Impeller R            | designed mm 73 | Efficiency       | %                         |
|                       | Min. mm 73     | NPSH 3%          | m                         |

#### Pump Materials

|                          |                            |
|--------------------------|----------------------------|
| Head                     | Stainless steel / AISI 304 |
| Impeller                 | Stainless steel / AISI 304 |
| Diffuser                 | Stainless steel / AISI 304 |
| Outer sleeve             | Stainless steel / AISI 304 |
| Shaft                    | Stainless steel / AISI 316 |
| Adapter                  | Aluminium                  |
| Ring with foot           | Aluminium                  |
| SEAL HOUSING             | Stainless steel / AISI 304 |
| Shaft sleeve and bushing | Tungsten carbide           |
| Fill / drain plugs       | Stainless steel / AISI 316 |
| Tie rods                 | Stainless steel / AISI 431 |
| Wear ring                | Technopolymer              |

#### Shaft Seal

|                      |                           |
|----------------------|---------------------------|
| e-HM Mechanical seal | Roten                     |
| e-HM - Roten         |                           |
| 1 - Rotating part    | Aluminium oxide (Ceramic) |
| 2 - Stationary part  | Carbon, resin-impregnated |
| 3 - Elastomers       | EPDM                      |
| 4 - Springs          | AISI 316                  |
| 5 - Other components | AISI 316                  |

#### Motor data

|                  |                      |                      |       |            |          |                  |          |
|------------------|----------------------|----------------------|-------|------------|----------|------------------|----------|
| Manufacturer     | Lowara               | Electric voltage     | 230 V | Speed      | 2900 rpm | Insulation class | F        |
| Specific design  | IE3 3ph Flange Motor |                      |       | Frame size | 90       | Colour           | RAL 5010 |
| Type             | PLM90HM/330 E3       |                      |       |            |          |                  |          |
| Rated power      | 3 kW                 | Degree of protection | IP55  |            |          |                  |          |
| Electric current | 11 A                 |                      |       |            |          |                  |          |

#### Remarks:

# 10HM08S30T5RVBE

## Performance curve

Company name  
Contact  
Phone number  
e-mail address

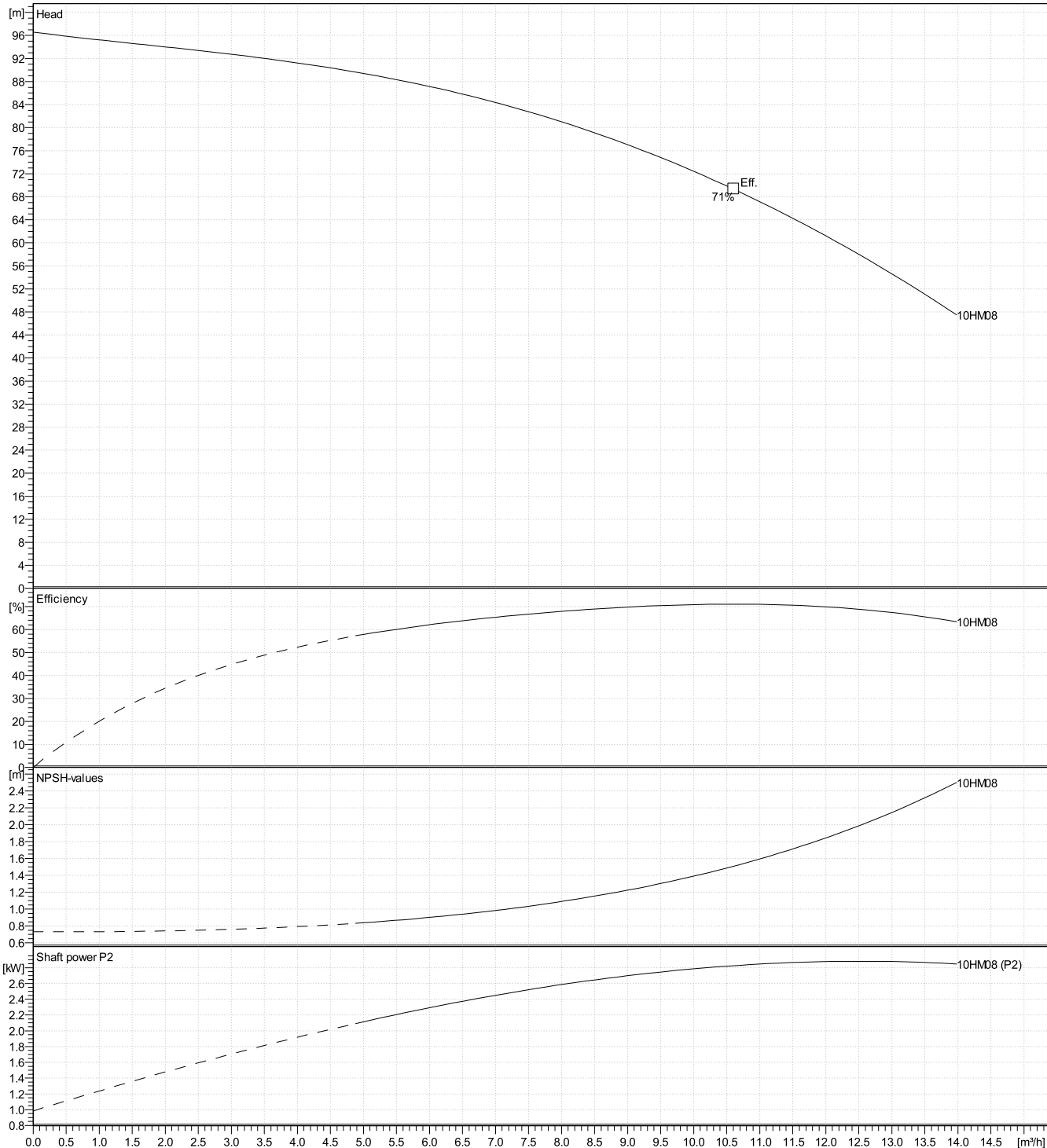
### Hydraulic data

| Operating Data Specification |                     | Hydraulic data (duty point) |  | Impeller design |          |
|------------------------------|---------------------|-----------------------------|--|-----------------|----------|
| Flow                         | 0 m <sup>3</sup> /h | Flow                        |  | Impeller R      | 73 mm    |
| Head                         | 0 m                 | Head                        |  | Frequency       | 50 Hz    |
| Static head                  | 0 m                 |                             |  | Speed           | 2900 rpm |

**Power datas referred to:**

Water [100%] ; 4°C; 1000kg/m<sup>3</sup>; 1.57mm<sup>2</sup>/s

Performance according to ISO 9906:2012 – Grade 3B

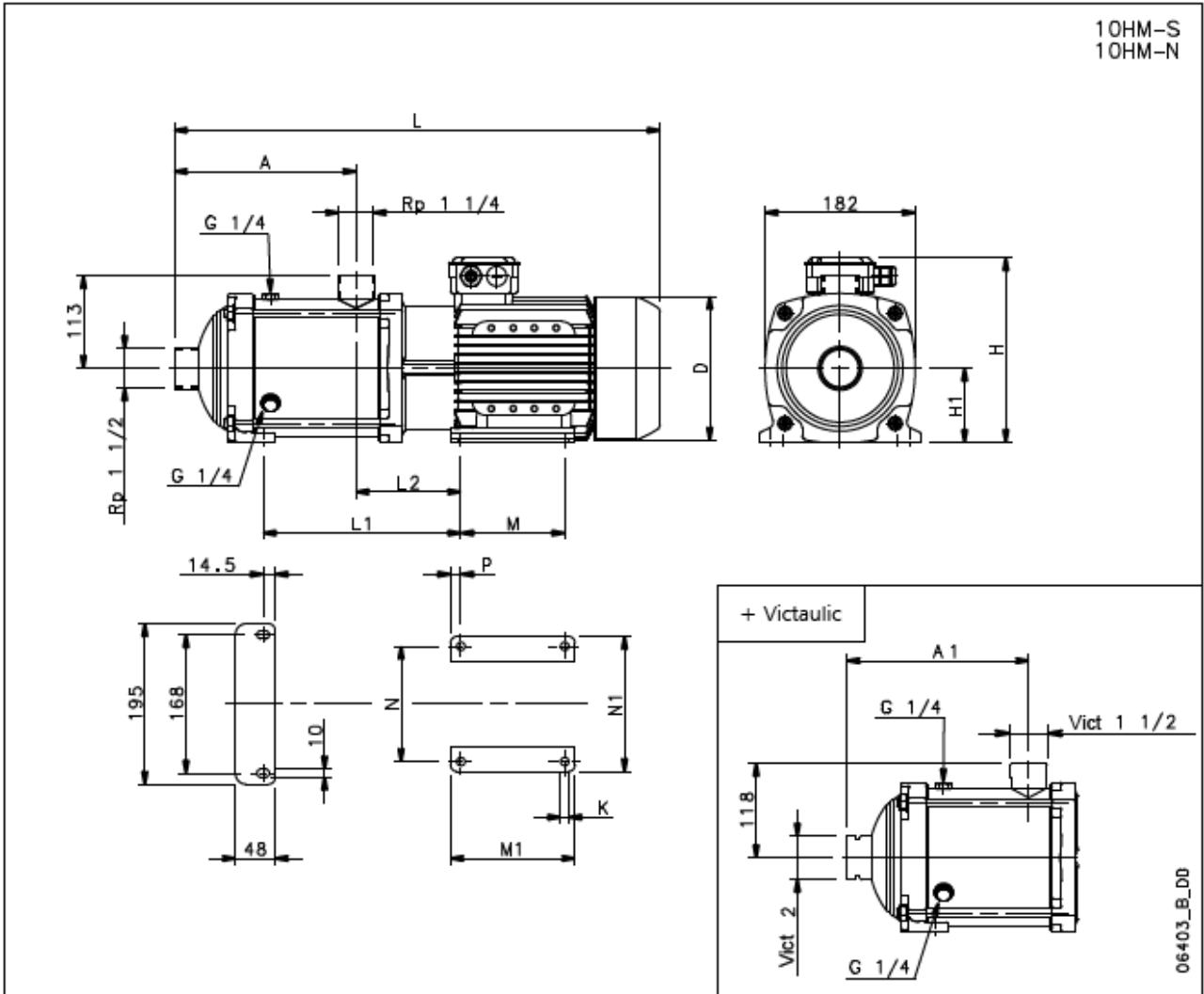


**10HM08S30T5RVBE**

**Dimensions**

Company name  
Contact  
Phone number  
e-mail address

**Drawing**



**Dimensions mm**

Electrical and dimensional data refer to IE3 motor

|    |       |    |      |                 |
|----|-------|----|------|-----------------|
| A  | 285   | L2 | 128  | Weight<br>30 kg |
| A1 | 297.1 | M  | 125  |                 |
| D  | 174   | M1 | 150  |                 |
| H  | 224   | N  | 140  |                 |
| H1 | 90    | N1 | 164  |                 |
| K  | 10    | P  | 12.5 |                 |
| L  | 659   | PN | 10   |                 |