

# 10HM04S30T6PVBE

## Technical data

**Company name**  
**Contact**  
**Phone number**  
**e-mail address**

### Operating data

Pump type	Single head pump	Fluid	Water
Available system NPSH	ft 0	Operating temperature t A	°F 39.2
Nominal flow	US g.p.m. 0	pH-value at t A	7
Nominal head	ft 0	Density at t A	lb/ft <sup>3</sup> 62.4
Static head	ft 0	Kin. viscosity at t A	ft <sup>2</sup> /s 1.689E-5
Inlet pressure	psi 0	Vapor pressure at t A	psi 14.5
Environmental temperature	°F 68	Solids	0
		Altitude	ft 0

### Pump data

Make	Lowara	Nominal	US g.p.m. ( )
Speed	rpm 3500	Flow	Max- US g.p.m. 74.8
Number of stages	4		Min- US g.p.m.
Max. casing pressure	psi	Nominal	ft
Max. working pressure	psi 97.9	Head	at Qmax ft 109.5
Head H(Q=0)	ft 230		at Qmin ft 225.8
Weight	lb 60	Shaft power	hp ( )
	Max. inch 3 3/4	Max. shaft power	hp 3.4
Impeller R	designed inch 3 3/4	Efficiency	%
	Min. inch 3 3/4	NPSH 3%	ft

### Pump Materials

Head	Stainless steel / AISI 304
Impeller	Stainless steel / AISI 304
Diffuser	Stainless steel / AISI 304
Outer sleeve	Stainless steel / AISI 304
Shaft	Stainless steel / AISI 316
Adapter	Aluminium
Ring with foot	Aluminium
SEAL HOUSING	Stainless steel / AISI 304
Shaft sleeve and bushing	Tungsten carbide
Fill / drain plugs	Stainless steel / AISI 316
Tie rods	Stainless steel / AISI 431
Wear ring	Technopolymer

### Shaft Seal

e-HM Mechanical seal	Roten
e-HM - Roten	
1 - Rotating part	Aluminium oxide (Ceramic)
2 - Stationary part	Carbon, resin-impregnated
3 - Elastomers	EPDM
4 - Springs	AISI 316
5 - Other components	AISI 316

### Motor data

Manufacturer	Lowara	Electric voltage	220 V	Speed	3485 rpm	Insulation class	F
Specific design	IE3 3ph Flange Motor			Frame size	90	Colour	RAL 5010
Type	PLM90HM/330 E3						
Rated power	4.0231 hp	Degree of protection	IP55				
Electric current	10.9 A						

### Remarks:

# 10HM04S30T6PVBE

## Performance curve

Company name  
Contact  
Phone number  
e-mail address

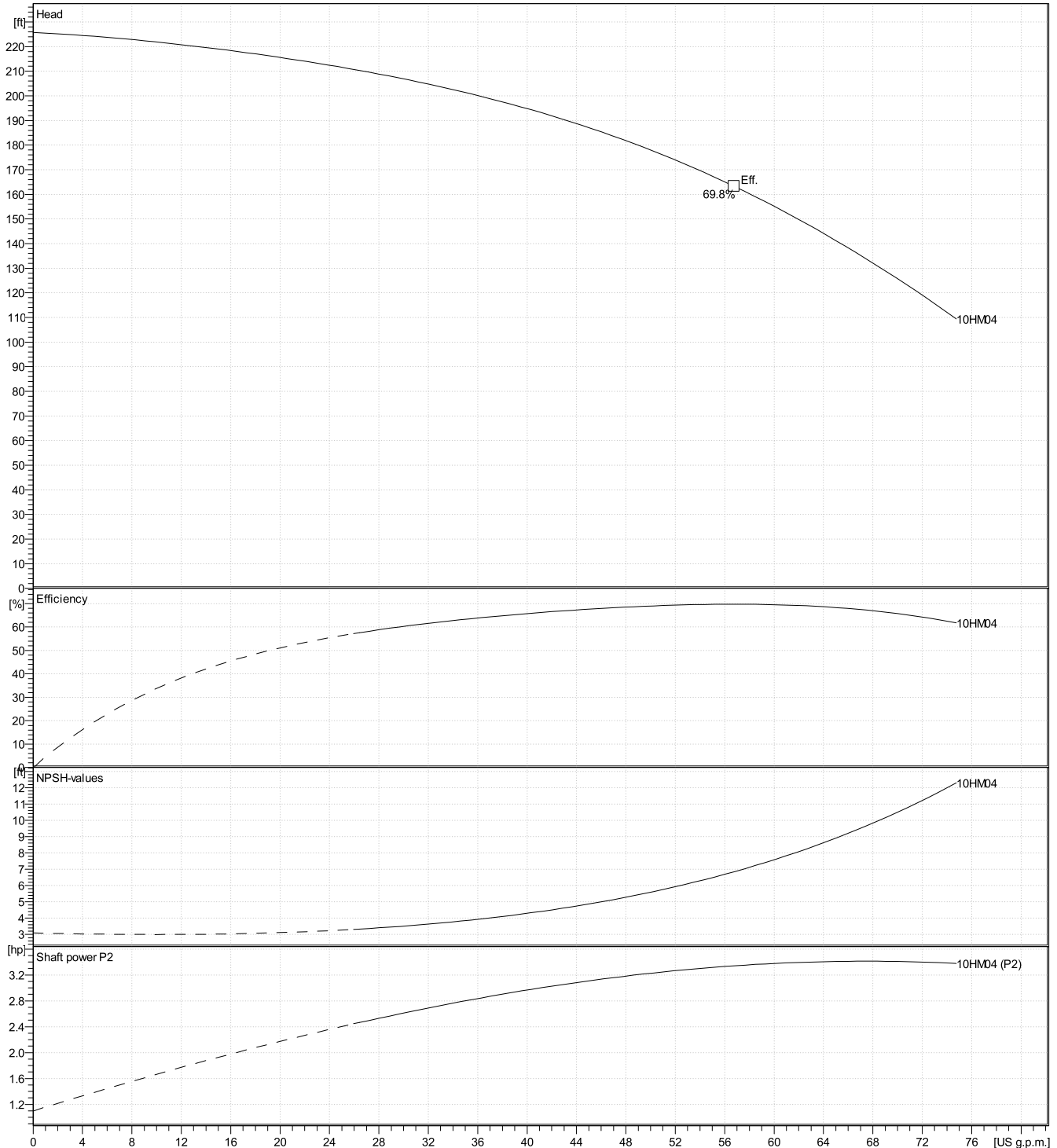
### Hydraulic data

Operating Data Specification		Hydraulic data (duty point)		Impeller design	
Flow	0 US g.p.m.	Flow		Impeller R	3 3/4 inch
Head	0 ft	Head		Frequency	60 Hz
Static head	0 ft			Speed	3500 rpm

**Power datas referred to:**

Water [100%] ; 39.2°F; 62.4lb/ft³; 1.69E-5ft²/s

Performance according to ISO 9906:2012 – Grade 3B

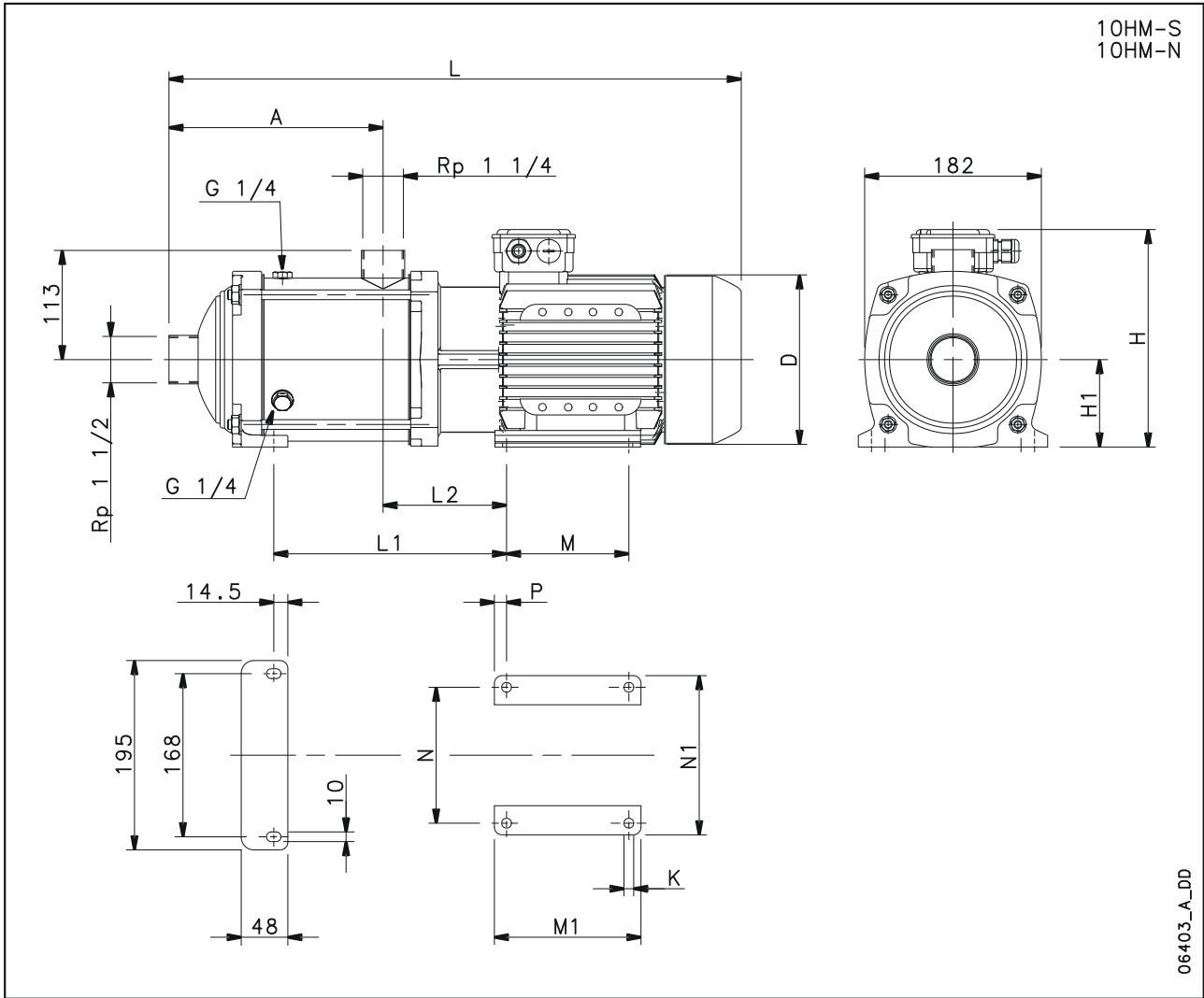


**10HM04S30T6PVBE**

**Dimensions**

Company name  
Contact  
Phone number  
e-mail address

**Drawing**



**Dimensions inch**

Electrical and dimensional data refer to IE3 motor

A	6 <sup>3</sup> / <sub>16</sub>	M	4 <sup>15</sup> / <sub>16</sub>			Weight 60 lb
D	6 <sup>7</sup> / <sub>8</sub>	M1	5 <sup>7</sup> / <sub>8</sub>			
H	8 <sup>13</sup> / <sub>16</sub>	N	5 <sup>1</sup> / <sub>2</sub>			
H1	3 <sup>9</sup> / <sub>16</sub>	N1	6 <sup>7</sup> / <sub>16</sub>			
K	3 <sup>3</sup> / <sub>8</sub>	P	1 <sup>1</sup> / <sub>2</sub>			
L	20 <sup>7</sup> / <sub>8</sub>	PN	3 <sup>3</sup> / <sub>8</sub>			
L1	6 <sup>15</sup> / <sub>16</sub>					
L2						