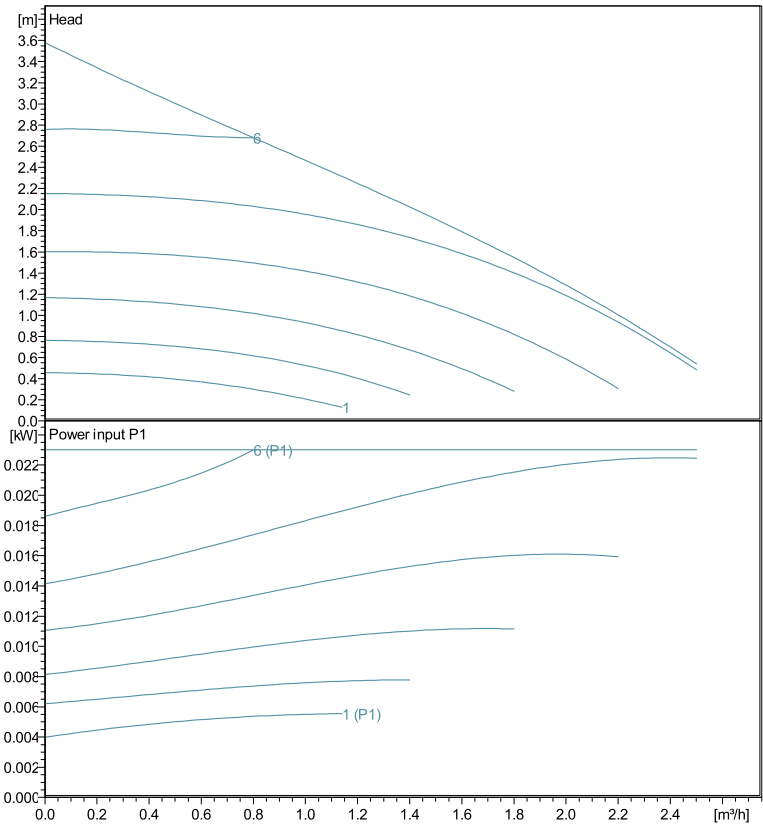


ecocirc BASIC 20-4/150 N

Technical data

Company name
Contact
Phone number
e-mail address



Performance according to ISO 9906:2012 – Grade 3B

Power datas referred to:

Water [100%] ; 4°C; 1000kg/m³; 1.57mm²/s

Operating Data Specification

Flow	0 m³/h
Head	0 m
Power input	

Pump data

Pressure rating	PN 6
Weight	2 kg
* No condensing, no freezing	

Materials

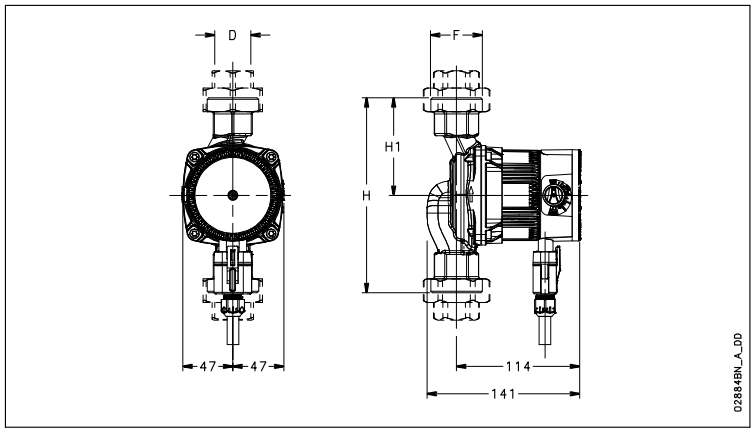
Pump body	Stainless steel / AISI 304
Rotor assembly group	Stainless steel / Composite material / Carbon
Bearing	Ceramics
Gaskets	EPDM Rubber
Motor housing	Aluminium
Screw ring	Aluminium
Plug	Polyamide

Motor data

Energy efficiency class	A		
Max Power	0.023 kW	max Strom	0.28 A
Rated voltage	230 V	Frequency	50
Insulation class	F	Protection	IP 44

Dimensions mm

D	Rp 3/4"
DN	20
F	G 1 1/4
H	130
H1	75



02884BN_A_DD