

ESHE 25-125/02/X45RSNA

Technical data

Company name
Contact
Phone number
e-mail address

Operating data					
1	Pumpe type	Single head pump		Fluid	Water, pure
2	No. of pumps	1		Operating temperature t A	°C 4
3	Nominal flow	m ³ /h	0	Max / Min Operating Temperature mech. Seal	°C 120 / -10
4	Nominal head	m	0	pH-value at t A	7
5	Static head	m	0	Density at t A	kg/m ³ 1000
6	Inlet pressure	kPa	0	Kin. viscosity at t A	mm ² /s 1.569
7	Environmental temperature	°C	20	Vapor pressure at t A	kPa 100
8	Available system NPSH	m	0	Altitude	0

Pump data						
9	Lubrication	Standard, Grease lubrication [Std]				
10	Execution					
11	Design	Horizontal		Impeller Ø	Max. mm 128	
12	Operating speed	1390 rpm	Stages 1		designed mm 114	
13	Suction nozzle	DN 50 /	PN 16 /		EN1092-1	Min. mm 114
14	Discharge nozzle	DN 25 /	PN 16 /	EN1092-1	Flow	Nominal m ³ /h
15	Max. casing pressure	kPa	1200	Max- m ³ /h 10.5		
16	Max. working pressure	kPa	36.5	Min- m ³ /h 3.8	Head	Nominal m
17	Impeller type	Radial impeller		at Qmax m 1.2		
18	Head H(Q=0)	m	3.7	at Qmin m 3.4		
19	Max. shaft power	kW	.1	Shaft power kW		
20	Pump weight	kg		Efficiency %		
21	Total weight	kg	15.0	NPSH 3% m		

Materials					
Pump			Shaft Seal		
23	Pump body	Stainless steel / AISI 316L		Single mechanical seal, without shaft sleeve	
24	Impeller	Stainless steel / ASTMCF8M		Uniten 3K	VBVGG
25	SEAL HOUSING	Stainless steel / AISI 316L		Mechanical seal diameter 22 mm	
26	Wear ring	Stainless steel / AISI 316L		1. Rotating ring	Ceramic
27	Counterwear ring	Stainless steel / AISI 316L		2. Stationary ring	Carbon graphite resin impregnated
28	Shaft extension	Stainless steel / AISI 316L		3. Secondary seal	Fluorine rubber (FKM)
29	Rigid shaft coupling	Stainless steel / AISI 316		4. Springs	CrNiMo - Steel
30	Impeller locknut and washer	Stainless steel / AISI 316		5. Others	CrNiMo - Steel
31	Tab	Stainless steel / AISI 316L		Gaskets of the pump Fluorine rubber (FKM)	
32	Fill/drain plugs	Stainless steel / AISI 316			
33					
34					
35					
36					
37					
38					
39					
40					
41					

Motor data					
42	Manufacturer	Lowara LM			
43	Specific design	IE2 3ph Flange Motor			
44	Type	LLM471B14/302			
45	Rated power	0.25 kW	Rated current	1.2 A	
46	Nominal speed	1390 rpm	Rated voltage	230 V	
47	Frame size	71	Service factor	1	
48	Weight	kg 5.7	Degree of protection	IP55	

Remarks					
49					
50					
50					
52					

ESHE 25-125/02/X45RSNA

Performance curve

Company name
Contact
Phone number
e-mail address

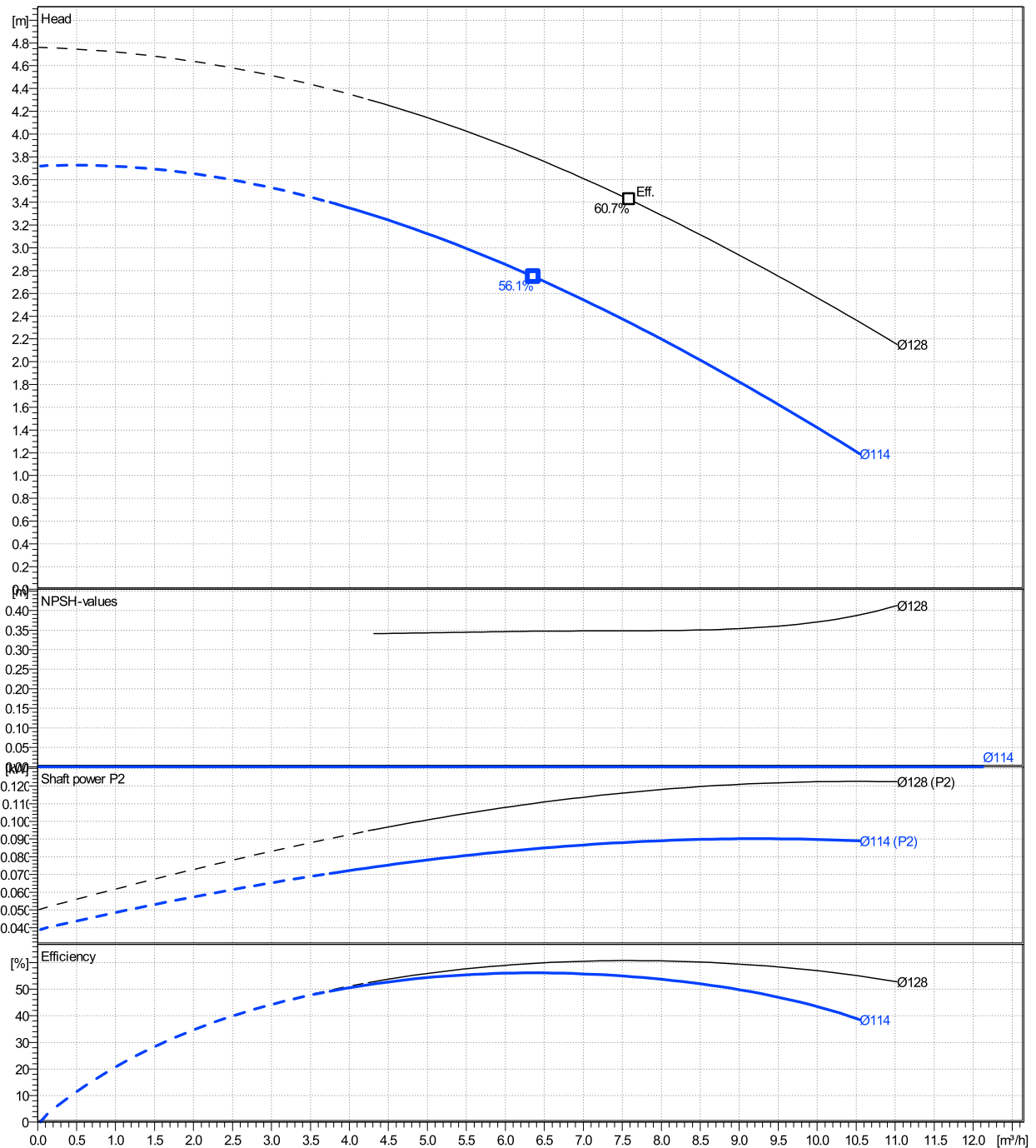
	Ø mm	Pump capacity Operating range			Pump head		Shaft power P2			Frequency		Hz	
		Min. m³/h	Max. m³/h	η m³/h	H(Q=0) m	η m	P2(Q=0) kW	Max. kW	η kW	Operating speed	rpm		
actual	114	3.83	10.5	6.36	3.72	2.75	0.0902	0.0845	0.0845	Nominal flow	m³/h	0	1390
Min.	0	/	/	6.36	3.72	2.75	/	0.0845	0.0845	Nominal head	m	0	
Max.	128	/	/	7.59	4.76	3.42	/	0.116	0.116	Inlet pressure	kPa	0	
										Static head	m	0	

Power datas referred to:

hydr. Performance acceptance acc. To EN ISO 9906 Class Grade 3B

Water, pure [100%] ; 4°C; 1000kg/m³; 1.57mm²/s

MEI: N.A - according to Ecodesign Directive 2009/125/EC and Regulation (EU) No.547/2012



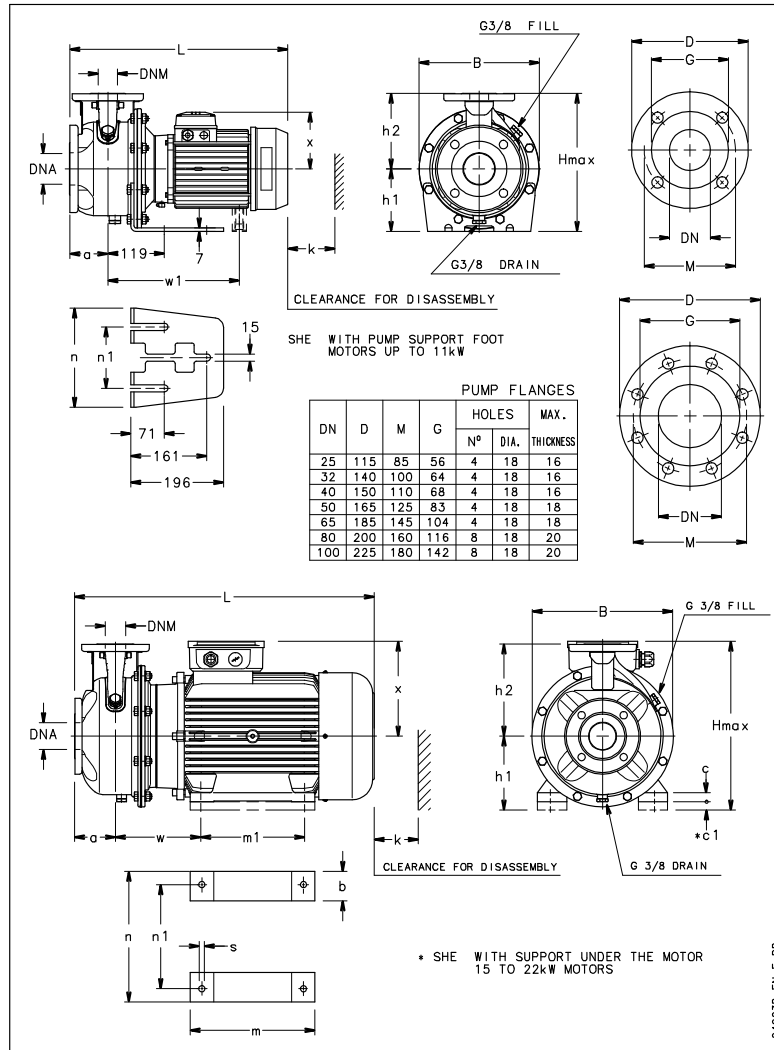
ESHE 25-125/02/X45RSNA

Dimensions

Company name
Contact
Phone number
e-mail address

Close coupled

LLM471B14/302



Dimensions		[mm]	
a	80		
B	218		
DNA	50		
DNM	25		
h1	160		
h2	140		
Hmax	300		
k	98		
L	411		
n	190		
n1	130		
x	121		

Weight	
Total weight	15 kg

Connections			
Suction nozzle		Discharge nozzle	
DN 50		DN 25	
PN 16		PN 16	
EN1092-1		EN1092-1	
D	165	D	115
Dia. Holes	18	Dia. Holes	18
DN	50	DN	25
G	83	G	56
M	125	M	85
Max thickness	16	Max thickness	16

Dimensions and weight without obligation

Project Xlect-20106709
Block ESHE 25-125/11/S25RSNA

Created by
Created on 12/16/2024

Last update 12/16/2024