

ESHE 32-125/07/S25RSNA

Technical data

Company name
Contact
Phone number
e-mail address

Operating data					
1	Pumpe type	Single head pump		Fluid	Water, pure
2	No. of pumps	1		Operating temperature t A	°C 4
3	Nominal flow	m³/h	0	Max / Min Operating Temperature mech. Seal	°C 120 / -10
4	Nominal head	m	0	pH-value at t A	7
5	Static head	m	0	Density at t A	kg/m³ 1000
6	Inlet pressure	kPa	0	Kin. viscosity at t A	mm²/s 1.569
7	Environmental temperature	°C	20	Vapor pressure at t A	kPa 100
8	Available system NPSH	m	0	Altitude	0

Pump data					
9	Lubrication	Standard, Grease lubrication [Std]			
10	Execution				
11	Design	Horizontal		Impeller Ø	Max. mm 128
12	Operating speed	2875 rpm	Stages 1		designed mm 114
13	Suction nozzle	DN 50 /	PN 16 / EN1092-1		Min. mm 114
14	Discharge nozzle	DN 32 /	PN 16 / EN1092-1	Flow	Nominal m³/h
15	Max. casing pressure	kPa	1200		Max- m³/h 21.8
16	Max. working pressure	kPa	154.4	Min- m³/h 7.9	
17	Impeller type	Radial impeller		Head	Nominal m
18	Head H(Q=0)	m	16		at Qmax m 6.5
19	Max. shaft power	kW	.7	Shaft power kW	at Qmin m 14.5
20	Pump weight	kg		Efficiency %	
21	Total weight	kg	18.6	NPSH 3% m	

Materials					
22		Pump		Shaft Seal	
23	Pump body	Stainless steel / AISI 316L		Single mechanical seal, without shaft sleeve	
24	Impeller	Stainless steel / ASTMCF8M		Uniten 3K	VBVGG
25	SEAL HOUSING	Stainless steel / AISI 316L		Mechanical seal diameter 22 mm	
26	Wear ring	Stainless steel / AISI 316L		1. Rotating ring	Ceramic
27	Counterwear ring	Stainless steel / AISI 316L		2. Stationary ring	Carbon graphite resin impregnated
28	Shaft extension	Stainless steel / AISI 316L		3. Secondary seal	Fluorine rubber (FKM)
29	Rigid shaft coupling	Stainless steel / AISI 316		4. Springs	CrNiMo - Steel
30	Impeller locknut and washer	Stainless steel / AISI 316		5. Others	CrNiMo - Steel
31	Tab	Stainless steel / AISI 316L		Gaskets of the pump Fluorine rubber (FKM)	
32	Fill/drain plugs	Stainless steel / AISI 316			
33					
34					
35					
36					
37					
38					
39					
40					
41					

Motor data					
42	Manufacturer	Lowara SM			
43	Specific design	IE3 3ph Flange Motor			
44	Type	SM 90R B14 0,75 kW			
45	Rated power	0.75 kW	Rated current	2.94 A	
46	Nominal speed	2875 rpm	Rated voltage	230 V	
47	Frame size	90R	Service factor	1	
48	Weight	kg 9.6	Degree of protection	IP55	

Remarks					
49					
50					
50					
52					

ESHE 32-125/07/S25RSNA

Performance curve

Company name
Contact
Phone number
e-mail address

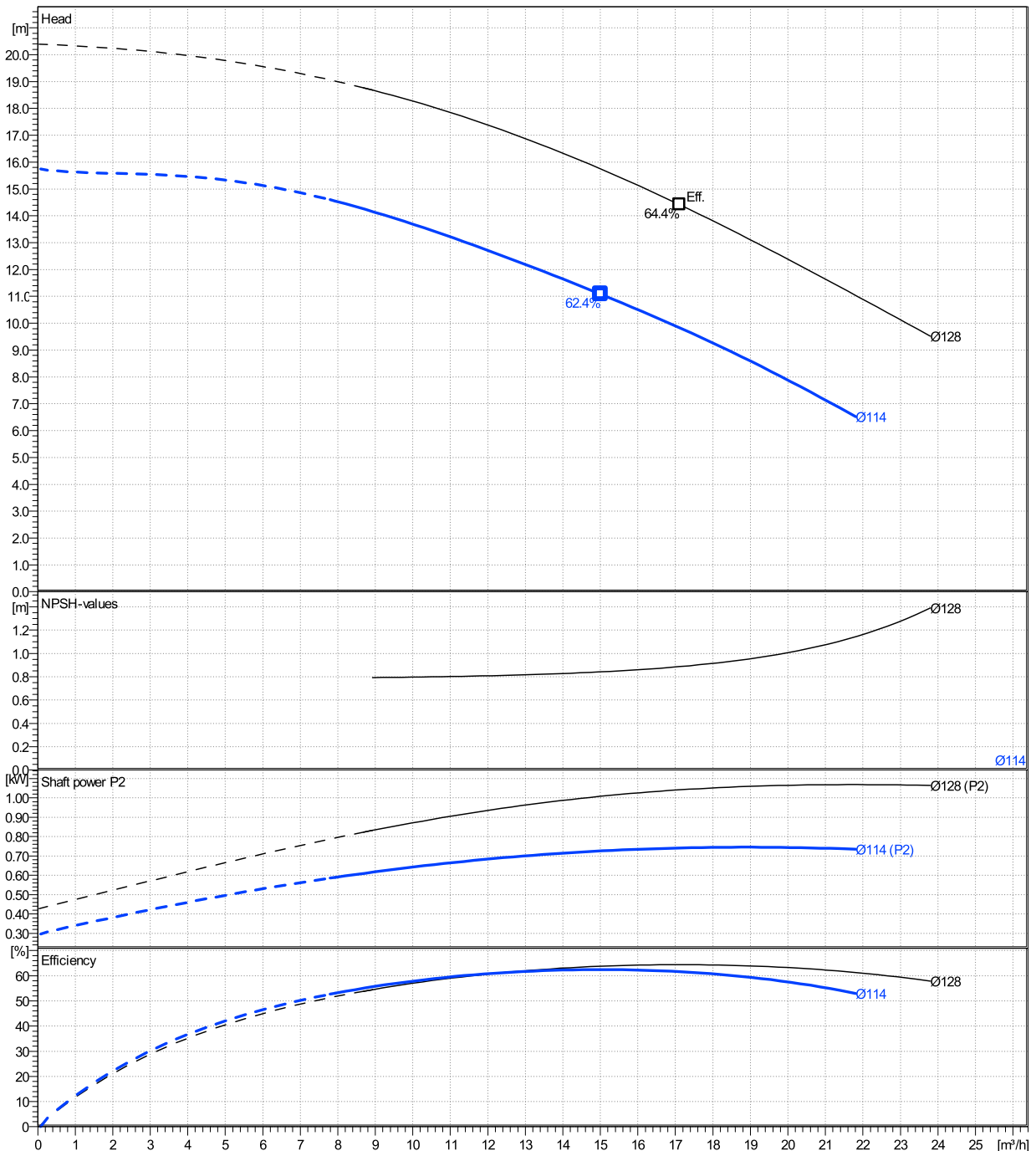
	Ø mm	Pump capacity			Pump head		Shaft power P2			Frequency	
		Operating range Min. m³/h	Max. m³/h	η Max. m³/h	H(Q=0) m	η Max. m	P2(Q=0) kW	Max. kW	η Max. kW	Hz	
actual	114	7.93	21.8	15	15.7	11.1	0.745	0.726	0.726	50	2875
Min.	0	/	/	15	15.7	11.1	/	0.726	0.726		0
Max.	128	/	/	17.1	20.4	14.4	/	1.04	1.04		0

Power datas referred to:

hydr. Performance acceptance acc. To EN ISO 9906 Class Grade 3B

Water, pure [100%] ; 4°C; 1000kg/m³; 1.57mm²/s

MEI: N.A - according to Ecodesign Directive 2009/125/EC and Regulation (EU) No.547/2012



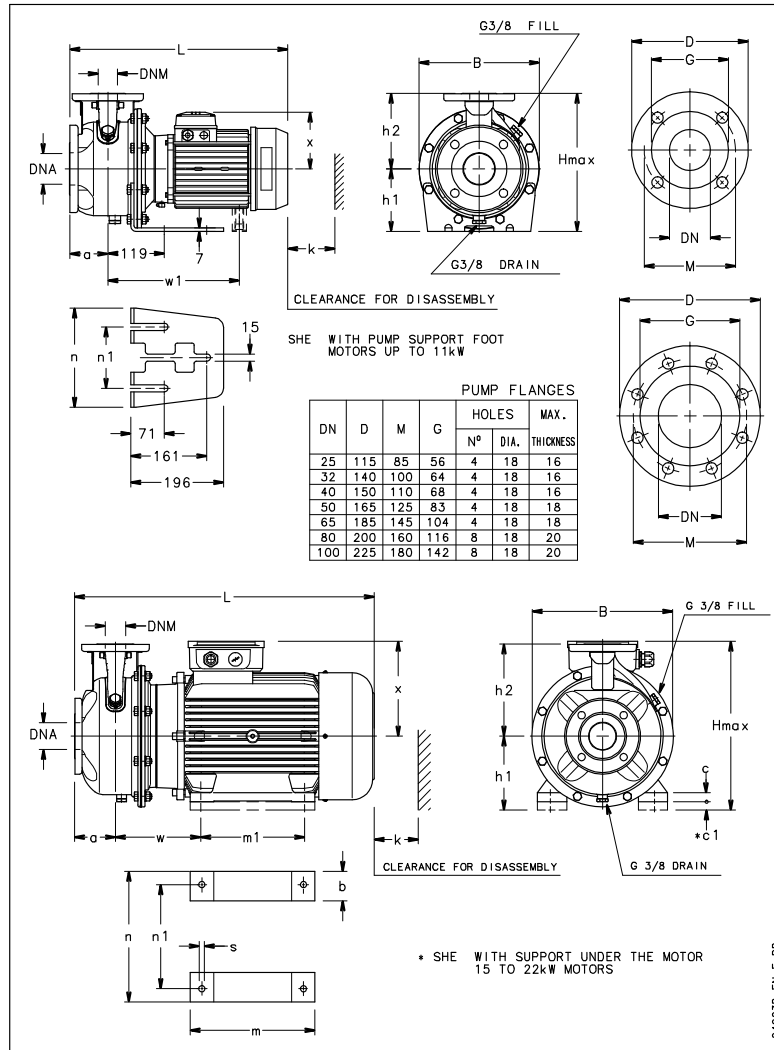
ESHE 32-125/07/S25RSNA

Dimensions

Company name
Contact
Phone number
e-mail address

Close coupled

SM 90R B14 0,75 kW



Dimensions		[mm]	
a	80		
B	218		
DNA	50		
DNM	32		
h1	112		
h2	140		
Hmax	252		
k	98		
L	443		
n	190		
n1	130		
x	129		

Weight	
Total weight	18.6 kg

Connections			
Suction nozzle		Discharge nozzle	
DN 50		DN 32	
PN 16		PN 16	
EN1092-1		EN1092-1	
D	165	D	140
Dia. Holes	18	Dia. Holes	18
DN	50	DN	32
G	83	G	64
M	125	M	100
Max thickness	16	Max thickness	16

Dimensions and weight without obligation

Project Xylect-20106422
Block ESHE 32-125/11/S25RSNA

Created by
Created on 12/16/2024

Last update 12/16/2024