

ESHE 32-160/15/S26PSSA

Technical data

Company name
Contact
Phone number
e-mail address

Operating data						
1	Pumpe type	Single head pump		Fluid	Water, pure	
2	No. of pumps	1		Operating temperature at t A	°F	39.2
3	Nominal flow	US g.p.m.	0	Max / Min Operating Temperature mech. Seal	°F	120 / -10
4	Nominal head	ft	0	pH-value at t A		7
5	Static head	ft	0	Density at t A	lb/ft ³	62.4
6	Inlet pressure	psi	0	Kin. viscosity at t A	ft ² /s	1.689E-5
7	Environmental temperature	°F	68	Vapor pressure at t A	psi	14.5
8	Available system NPSH	ft	0	Altitude		0

Pump data									
9	Lubrication	Standard, Grease lubrication [Std]							
10	Execution								
11	Design	Horizontal		Impeller Ø	Max.	inch	5 7/16		
12	Operating speed	3485 rpm	Stages		1	designed	inch	4 15/16	
13	Suction nozzle	DN 50	/	PN 16	/	EN1092-1	Min.	inch	4 15/16
14	Discharge nozzle	DN 32	/	PN 16	/	EN1092-1	Flow		Nominal US g.p.m.
15	Max. casing pressure	psi	174		Flow	Max-	US g.p.m.	105.2	
16	Max. working pressure	psi	36.7			Min-	US g.p.m.	39.5	
17	Impeller type	Radial impeller		Head	Nominal	ft			
18	Head H(Q=0)	ft	85		at Qmax	ft	35.3		
19	Max. shaft power	hp	2		at Qmin	ft	78.8		
20	Pump weight	kg			Shaft power	hp			
21	Total weight	lb	53.8		Efficiency	%			
					NPSH 3%	ft			

Materials						
22		Pump			Shaft Seal	
23	Pump body	Stainless steel / AISI 316L			Single mechanical seal, without shaft sleeve	
24	Impeller	Stainless steel / AISI 316L			Uniten 3K	VBVGG
25	SEAL HOUSING	Stainless steel / AISI 316L			Mechanical seal diameter	7/8 inch
26	Wear ring	Stainless steel / AISI 316L			1. Rotating ring	Ceramic
27	Counterwear ring	Stainless steel / AISI 316L			2. Stationary ring	Carbon graphite resin impregnated
28	Shaft extension	Stainless steel / AISI 316L			3. Secondary seal	Fluorine rubber (FKM)
29	Rigid shaft coupling	Stainless steel / AISI 316			4. Springs	CrNiMo - Steel
30	Impeller locknut and washer	Stainless steel / AISI 316			5. Others	CrNiMo - Steel
31	Tab	Stainless steel / AISI 316L			Gaskets of the pump	Fluorine rubber (FKM)
32	Fill/drain plugs	Stainless steel / AISI 316				
33						
34						
35						
36						
37						
38						
39						
40						
41						

Motor data					
42	Manufacturer	Lowara SM			
43	Specific design	IE3 3ph Flange Motor			
44	Type	SM 90R B14 1,5 kW			
45	Rated power	2.0115 hp	Rated current	5.56 A	
46	Nominal speed	3485 rpm	Rated voltage	220 V	
47	Frame size	90R	Service factor	1	
48	Weight	lb	29.5	Degree of protection	IP55

Remarks					
49					
50					
50					
52					

ESHE 32-160/15/S26PSSA

Performance curve

Company name
Contact
Phone number
e-mail address

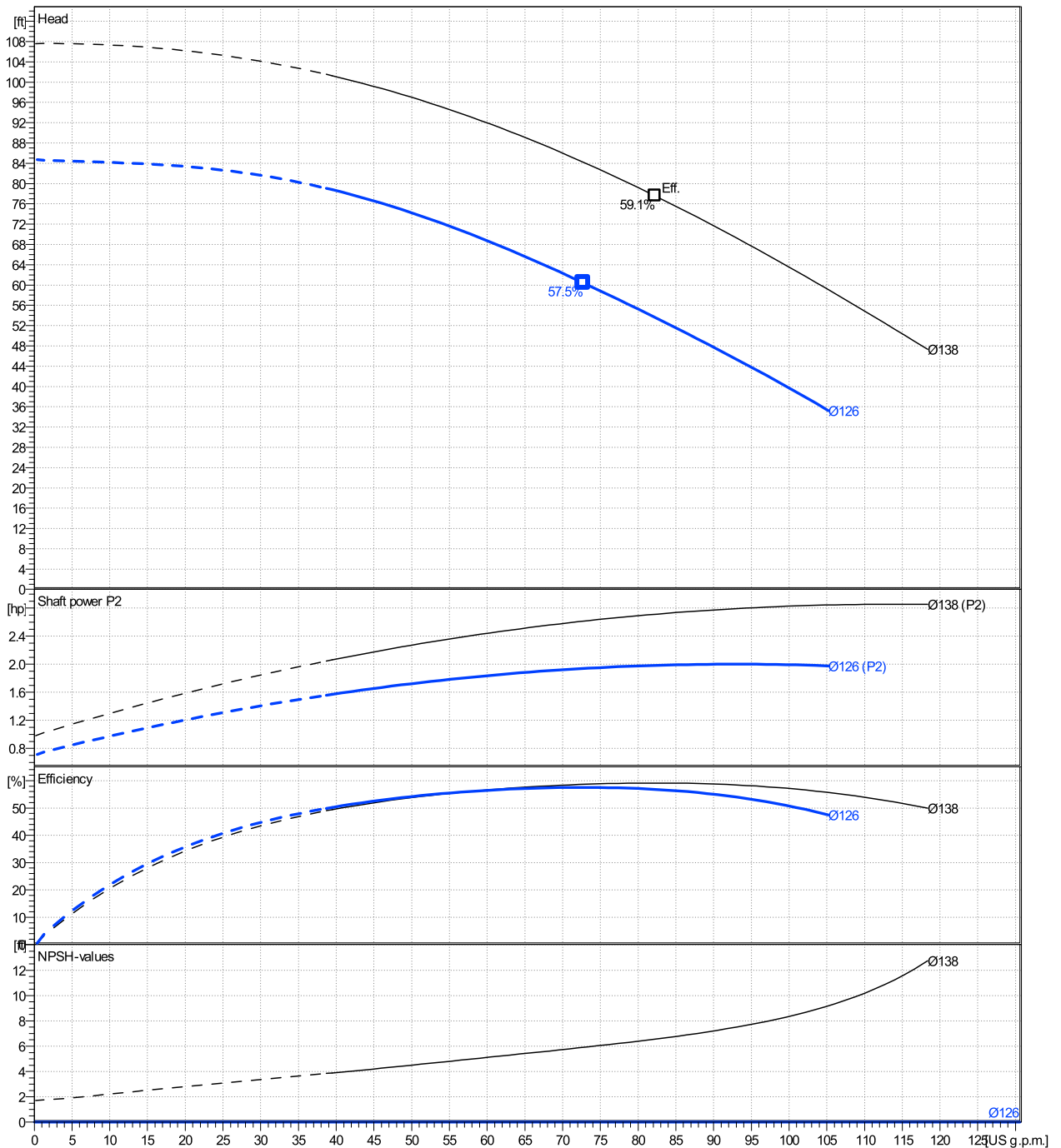
	Ø mm	Pump capacity Operating range η			Pump head η		Shaft power P2 η			Frequency	Hz	
		Min. US g.p.m.	Max. US g.p.m.	Max. US g.p.m.	H(Q=0) ft	Max. ft	P2(Q=0) hp	Max. hp	Max. hp	Operating speed	rpm	
actual	4 15/16	39.5	105	72.7	84.7	60.5	2	1.94	Nominal flow	US g.p.m.	0	
Min.	0	/	/	72.7	84.7	60.5	/	1.94	Nominal head	ft	0	
Max.	5 7/16	/	/	82.2	108	77.6	/	2.71	Inlet pressure	psi	0	
									Static head	ft	0	

Power datas referred to:

hydr. Performance acceptance acc. To EN ISO 9906 Class Grade 3B

Water, pure [100%] ; 39.2°F; 62.4lb/ft³; 1.69E-5ft²/s

MEI: N.A. - according to Ecodesign Directive 2009/125/EC and Regulation (EU) No.547/2012



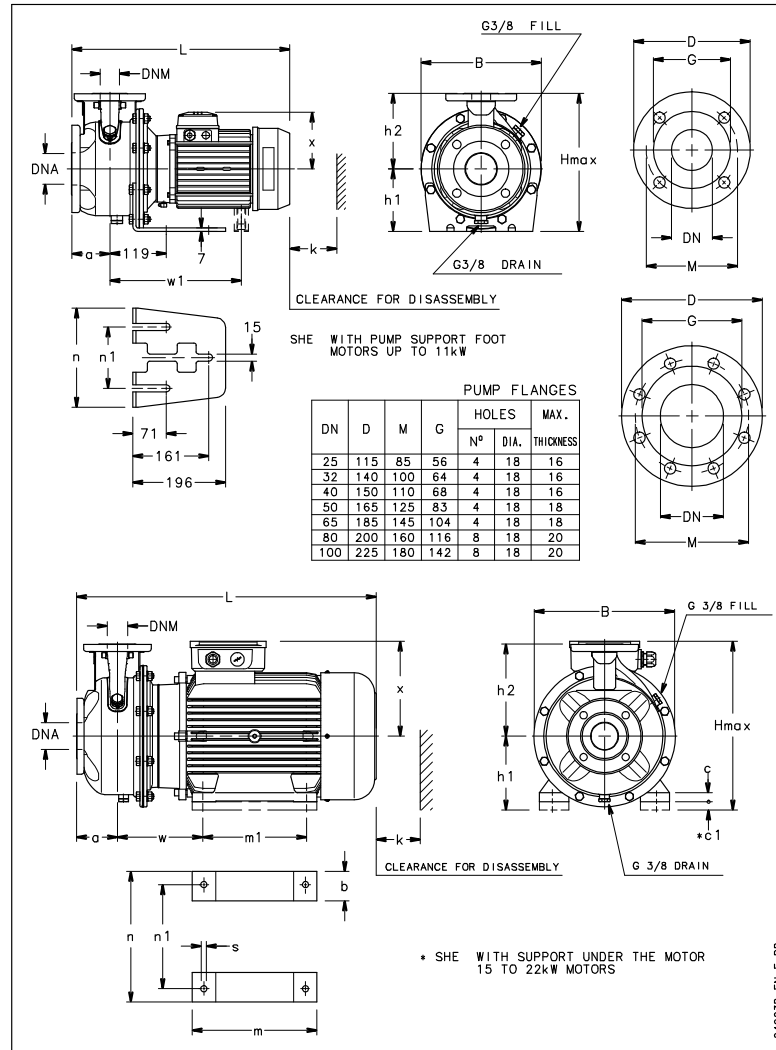
ESHE 32-160/15/S26PSSA

Dimensions

Company name
Contact
Phone number
e-mail address

Close coupled

SM 90R B14 1,5 kW



Dimensions		[inch]	
a	3 ¹ / ₈		
B	9 ¹⁵ / ₁₆		
DNA	1 ¹⁵ / ₁₆		
DNM	1 ¹ / ₄		
h1	5 ³ / ₁₆		
h2	6 ⁵ / ₁₆		
Hmax	11 ¹ / ₂		
k	3 ⁷ / ₈		
L	17 ⁷ / ₁₆		
n	8 ¹ / ₄		
n1	5 ¹ / ₈		
x	5 ¹ / ₁₆		

Weight	
Total weight	24.4 kg

Connections	
Suction nozzle	Discharge nozzle
DN 50	DN 32
PN 16	PN 16
EN1092-1	EN1092-1
D	5 ¹ / ₂
Dia. Holes	1 ¹ / ₄
DN	1 ¹⁵ / ₁₆
G	3 ¹ / ₄
M	4 ¹⁵ / ₁₆
Max thickness	1 ¹ / ₈

Dimensions and weight without obligation

Project	Xlect-20182923	Created by		Last update	1/12/2025
Block	ESHE 32-160/22/P26PSSA	Created on	1/12/2025		