

# ESHE 32-200/30/P25RSSA

## Technical data

Company name  
Contact  
Phone number  
e-mail address

Operating data				
1	Pumpe type	Single head pump	Fluid	Water, pure
2	No. of pumps	1	Operating temperature t A	°C 4
3	Nominal flow	m <sup>3</sup> /h 0	Max / Min Operating Temperature mech. Seal	°C 120 / -10
4	Nominal head	m 0	pH-value at t A	7
5	Static head	m 0	Density at t A	kg/m <sup>3</sup> 1000
6	Inlet pressure	kPa 0	Kin. viscosity at t A	mm <sup>2</sup> /s 1.569
7	Environmental temperature	°C 20	Vapor pressure at t A	kPa 100
8	Available system NPSH	m 0	Altitude	0

Pump data				
9	Lubrication	Standard, Grease lubrication [Std]		
10	Execution			
11	Design	Horizontal		
12	Operating speed	2865 rpm	Stages	1
13	Suction nozzle	DN 50 /	PN 16 /	EN1092-1
14	Discharge nozzle	DN 32 /	PN 16 /	EN1092-1
15	Max. casing pressure	kPa 1200	Impeller Ø	Max. mm 195
16	Max. working pressure	kPa 377.1		designed mm 178
17	Impeller type	Radial impeller		Min. mm 178
18	Head H(Q=0)	m 38	Flow	Nominal m <sup>3</sup> /h
19	Max. shaft power	kW 2.9		Max- m <sup>3</sup> /h 24.7
20	Pump weight	kg		Min- m <sup>3</sup> /h 7.8
21	Total weight	kg 38.0	Head	Nominal m
				at Qmax m 23.4
				at Qmin m 36.2
			Shaft power	kW
			Efficiency	%
			NPSH 3%	m

Materials				
22		<b>Pump</b>	<b>Shaft Seal</b>	
23	Pump body	Stainless steel / AISI 316L	Single mechanical seal, without shaft sleeve	
24	Impeller	Stainless steel / AISI 316L	Uniten 3K	VBVGG
25	SEAL HOUSING	Stainless steel / AISI 316L	Mechanical seal diameter	
26	Wear ring	Stainless steel / AISI 316L	1. Rotating ring	Ceramic
27	Counterwear ring	Stainless steel / AISI 316L	2. Stationary ring	Carbon graphite resin impregnated
28	Shaft extension	Stainless steel / AISI 316L	3. Secondary seal	Fluorine rubber (FKM)
29	Rigid shaft coupling	Stainless steel / AISI 316	4. Springs	CrNiMo - Steel
30	Impeller locknut and washer	Stainless steel / AISI 316	5. Others	CrNiMo - Steel
31	Tab	Stainless steel / AISI 316L	Gaskets of the pump	
32	Fill/drain plugs	Stainless steel / AISI 316	Fluorine rubber (FKM)	
33				
34				
35				
36				
37				
38				
39				
40				
41				

Motor data				
Electrical and dimensional data refer to IE3 motor				
42	Manufacturer	Lowara PLM		
43	Specific design	IE3 3ph Flange Motor		
44	Type	PLM 90 B14 3 kW		
45	Rated power	3 kW	Rated current	6.33 A
46	Nominal speed	2865 rpm	Rated voltage	400 V
47	Frame size	90	Service factor	1
48	Weight	kg 21.0	Degree of protection	IP55

Remarks				
49				
50				
50				
52				

# ESHE 32-200/30/P25RSSA

## Performance curve

Company name  
Contact  
Phone number  
e-mail address

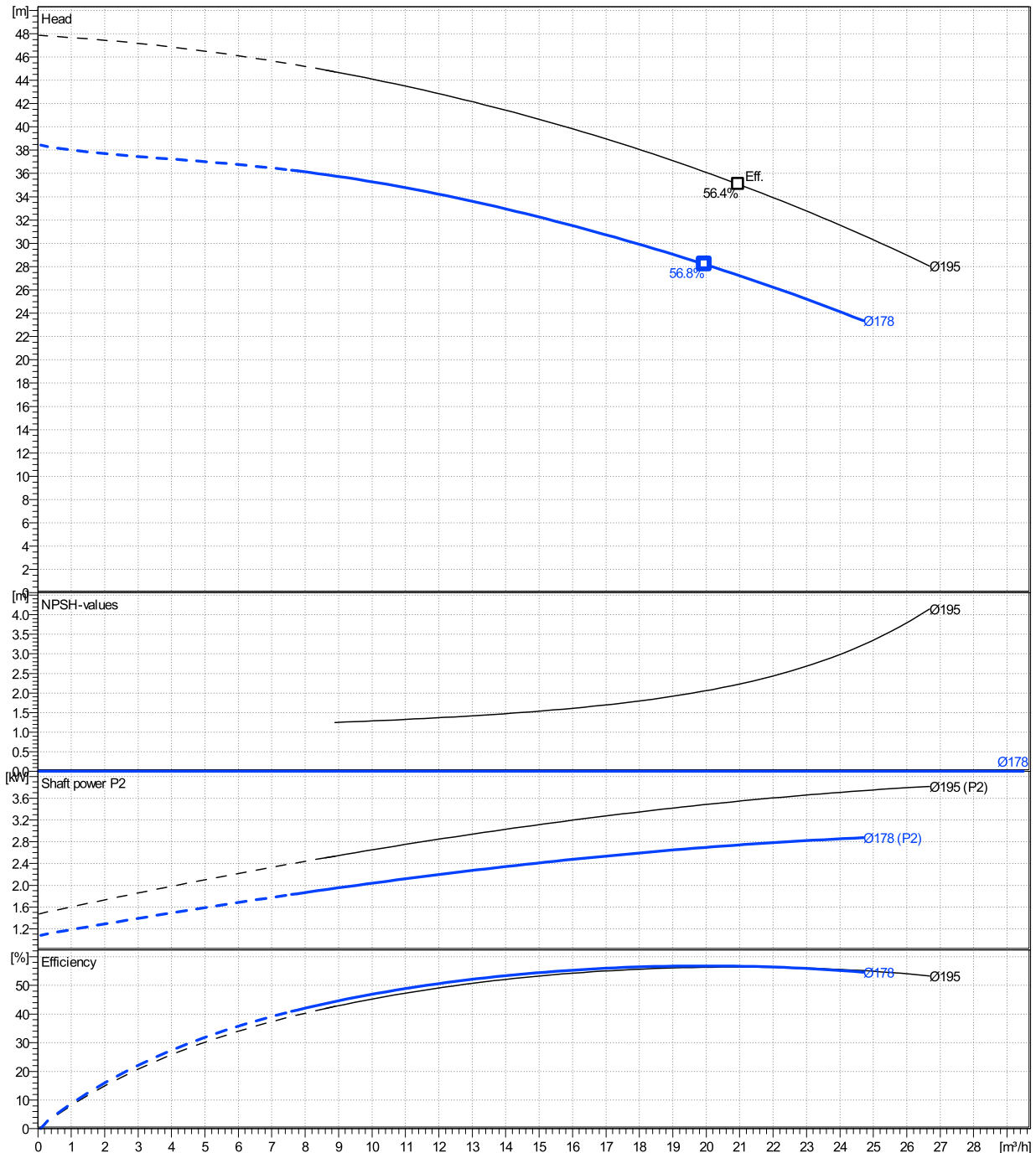
	Ø mm	Pump capacity			Pump head		Shaft power P2			Frequency		Hz	50
		Operating range Min. m³/h	Max. m³/h	η Max. m³/h	H(Q=0) m	η Max. m	P2(Q=0) kW	Max. kW	η Max. kW	Operating speed rpm	2865		
actual	178	7.77	24.7	19.9	38.4	28.2		2.87	2.7	Nominal flow	m³/h	0	
Min.	0	/	/	19.9	38.4	28.2		/	2.7	Nominal head	m	0	
Max.	195	/	/	21	47.8	35.1		/	3.55	Inlet pressure	kPa	0	
										Static head	m	0	

**Power datas referred to:**

hydr. Performance acceptance acc. To EN ISO 9906 Class Grade 3B

Water, pure [100%] ; 4°C; 1000kg/m³; 1.57mm²/s

MEI: N.A - according to Ecodesign Directive 2009/125/EC and Regulation (EU) No.547/2012



**ESHE 32-200/30/P25RSSA**

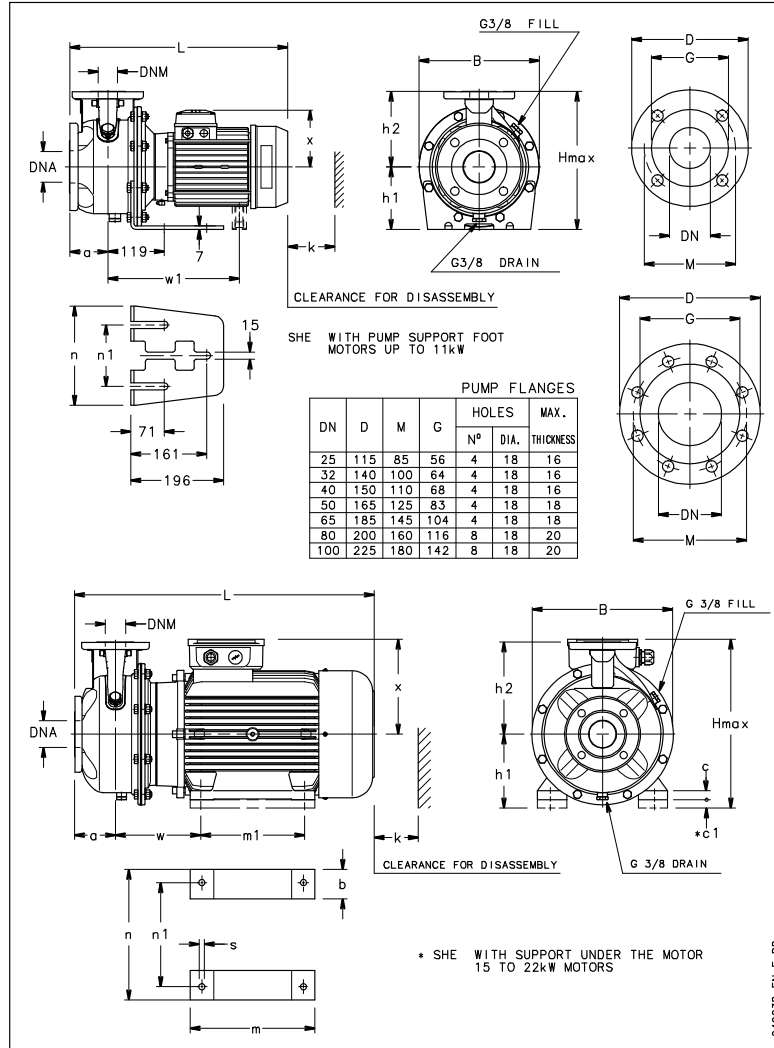
**Dimensions**

Company name  
Contact  
Phone number  
e-mail address

Close coupled

PLM 90 B14 3 kW

Electrical and dimensional data refer to IE3 motor



Dimensions		[ mm ]	
a	80		
B	284		
DNA	50		
DNM	32		
h1	160		
h2	180		
Hmax	340		
k	98		
L	478		
n	230		
n1	130		
x	134		

Weight	
Total weight	38 kg

Connections			
<b>Suction nozzle</b>		<b>Discharge nozzle</b>	
DN 50		DN 32	
PN 16		PN 16	
EN1092-1		EN1092-1	
D	165	D	140
Dia. Holes	18	Dia. Holes	18
DN	50	DN	32
G	83	G	64
M	125	M	100
Max thickness	16	Max thickness	16

**Dimensions and weight without obligation**

Project	Xylect-20106422	Created by		Last update	12/16/2024
Block	ESHE 32-200/40/P25VSSA	Created on	12/16/2024		