

ESHE 32-200/30/P26PSSA

Technical data

Company name
Contact
Phone number
e-mail address

Operating data						
1	Pumpe type	Single head pump		Fluid	Water, pure	
2	No. of pumps	1		Operating temperature t A	°F	39.2
3	Nominal flow	US g.p.m.	0	Max / Min Operating Temperature mech. Seal	°F	120 / -10
4	Nominal head	ft	0	pH-value at t A		7
5	Static head	ft	0	Density at t A	lb/ft ³	62.4
6	Inlet pressure	psi	0	Kin. viscosity at t A	ft ² /s	1.689E-5
7	Environmental temperature	°F	68	Vapor pressure at t A	psi	14.5
8	Available system NPSH	ft	0	Altitude		0

Pump data										
9	Lubrication	Standard, Grease lubrication [Std]								
10	Execution									
11	Design	Horizontal		Impeller Ø	Max.	inch	6 11/16			
12	Operating speed	3485 rpm	Stages		1	designed	inch	6 1/4		
13	Suction nozzle	DN 50	/	PN 16	/	EN1092-1	Min.	inch	6 1/4	
14	Discharge nozzle	DN 32	/	PN 16	/	EN1092-1	Nominal US g.p.m.			
15	Max. casing pressure	psi	174		Flow	Max-	US g.p.m.	109.6		
16	Max. working pressure	psi	57.9			Min-	US g.p.m.	39.5		
17	Impeller type	Radial impeller		Head	Nominal	ft				
18	Head H(Q=0)	ft	130		at Qmax	ft		72		
19	Max. shaft power	hp	4		at Qmin	ft		124.3		
20	Pump weight	kg			Shaft power	hp				
21	Total weight	lb	83.8		Efficiency	%				
					NPSH 3%	ft				

Materials					
Pump			Shaft Seal		
22					
23	Pump body	Stainless steel / AISI 316L		Single mechanical seal, without shaft sleeve	
24	Impeller	Stainless steel / AISI 316L		Uniten 3K	VBVGG
25	SEAL HOUSING	Stainless steel / AISI 316L		Mechanical seal diameter	7/8 inch
26	Wear ring	Stainless steel / AISI 316L		1. Rotating ring	Ceramic
27	Counterwear ring	Stainless steel / AISI 316L		2. Stationary ring	Carbon graphite resin impregnated
28	Shaft extension	Stainless steel / AISI 316L		3. Secondary seal	Fluorine rubber (FKM)
29	Rigid shaft coupling	Stainless steel / AISI 316		4. Springs	CrNiMo - Steel
30	Impeller locknut and washer	Stainless steel / AISI 316		5. Others	CrNiMo - Steel
31	Tab	Stainless steel / AISI 316L		Gaskets of the pump	Fluorine rubber (FKM)
32	Fill/drain plugs	Stainless steel / AISI 316			
33					
34					
35					
36					
37					
38					
39					
40					
41					

Motor data					
Electrical and dimensional data refer to IE3 motor					
42	Manufacturer	Lowara PLM			
43	Specific design	IE3 3ph Flange Motor			
44	Type	PLM 90 B14 3 kW			
45	Rated power	4.0231 hp	Rated current	11 A	
46	Nominal speed	3485 rpm	Rated voltage	220 V	
47	Frame size	90	Service factor	1	
48	Weight	lb	46.3	Degree of protection	IP55

Remarks					
49					
50					
50					
52					

ESHE 32-200/30/P26PSSA

Performance curve

Company name
Contact
Phone number
e-mail address

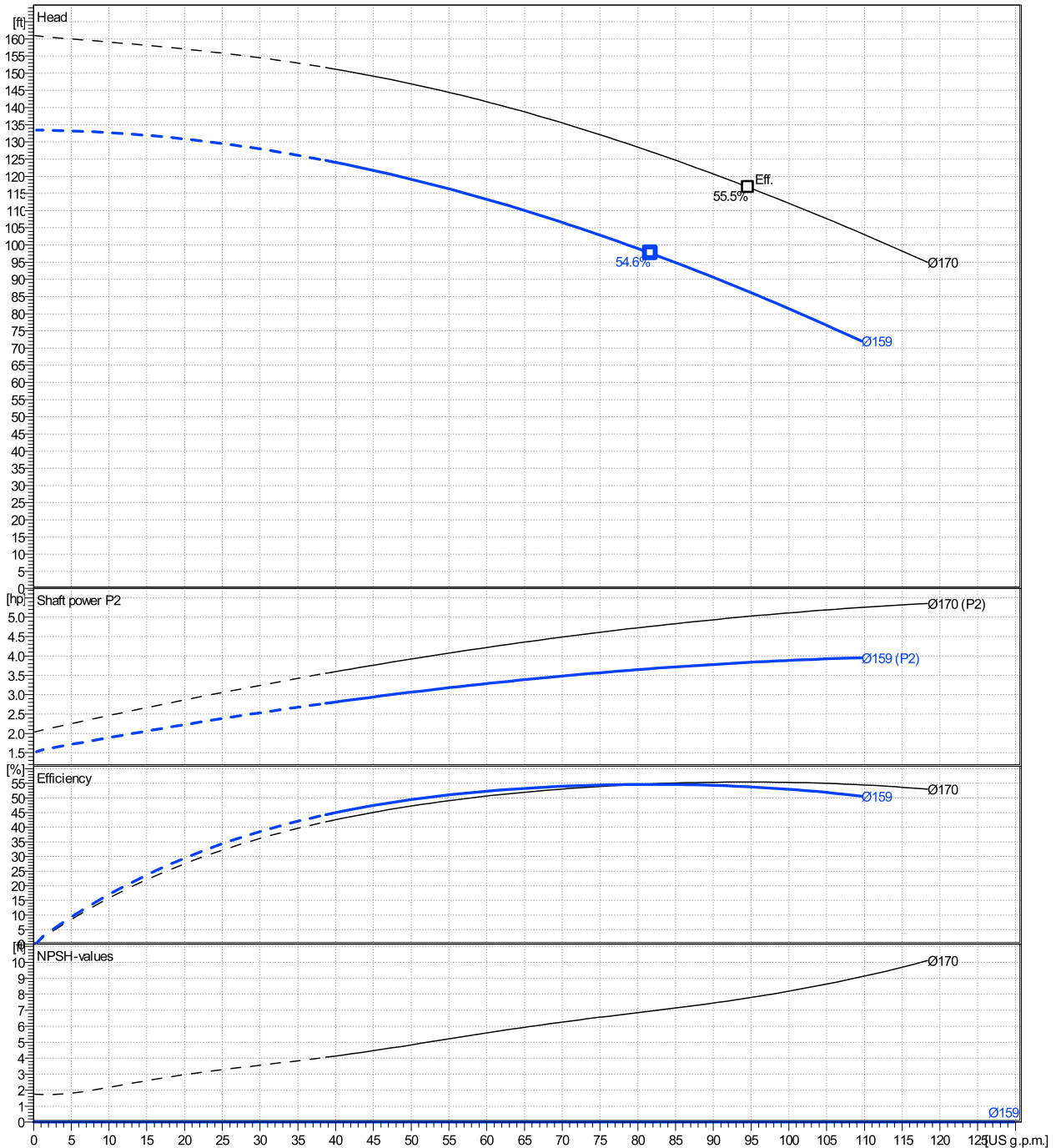
	Ø mm	Pump capacity Operating range η			Pump head H(Q=0) η		Shaft power P2 P2(Q=0) η			Frequency Hz	
		Min. US g.p.m.	Max. US g.p.m.	Max. US g.p.m.	ft	ft	hp	Max. hp	η hp	rpm	
actual	6 1/4	39.5	110	81.7	133	97.6	3.95	3.67	60	3485	
Min.	0	/	/	81.7	133	97.6	/	3.67		0	
Max.	6 11/16	/	/	94.6	161	117	/	5.02		0	

Power datas referred to:

hydr. Performance acceptance acc. To EN ISO 9906 Class Grade 3B

Water, pure [100%] ; 39.2°F; 62.4lb/ft³; 1.69E-5ft²/s

MEI: N.A - according to Ecodesign Directive 2009/125/EC and Regulation (EU) No.547/2012



ESHE 32-200/30/P26PSSA

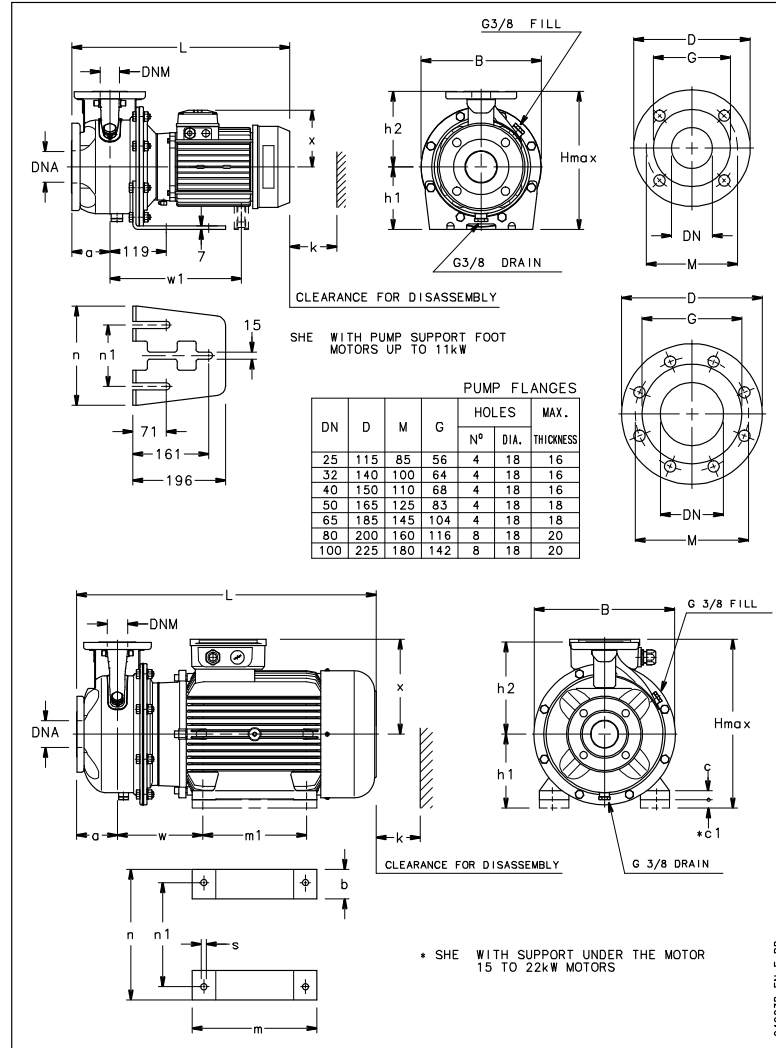
Dimensions

Company name
Contact
Phone number
e-mail address

Close coupled

PLM 90 B14 3 kW

Electrical and dimensional data refer to IE3 motor



Dimensions [inch]	
a	3 ¹ / ₈
B	11 ³ / ₁₆
DNA	1 ¹⁵ / ₁₆
DNM	1 ¹ / ₄
h1	6 ⁵ / ₁₆
h2	7 ¹ / ₁₆
Hmax	13 ³ / ₈
k	3 ⁷ / ₈
L	18 ¹³ / ₁₆
n	9 ¹ / ₁₆
n1	5 ¹ / ₈
x	5 ¹ / ₄

Weight	
Total weight	38 kg

Connections	
Suction nozzle	Discharge nozzle
DN 50	DN 32
PN 16	PN 16
EN1092-1	EN1092-1
D	6 ¹ / ₂
Dia. Holes	5 ¹ / ₂
DN	1 ¹ / ₄
G	2 ¹ / ₂
M	3 ¹⁵ / ₁₆
Max thickness	Max thickness

Dimensions and weight without obligation

Project	Xlect-20182923	Created by		Last update	1/12/2025
Block	ESHE 32-200/40/P26PSSA	Created on	1/12/2025		