

# ESHE 40-125/02/X46RSSA

## Technical data

Company name  
Contact  
Phone number  
e-mail address

Operating data						
1	Pumpe type	Single head pump		Fluid	Water, pure	
2	No. of pumps	1		Operating temperature at t A	°F	39.2
3	Nominal flow	US g.p.m.	0	Max / Min Operating Temperature mech. Seal	°F	120 / -10
4	Nominal head	ft	0	pH-value at t A		7
5	Static head	ft	0	Density at t A	lb/ft <sup>3</sup>	62.4
6	Inlet pressure	psi	0	Kin. viscosity at t A	ft <sup>2</sup> /s	1.689E-5
7	Environmental temperature	°F	68	Vapor pressure at t A	psi	14.5
8	Available system NPSH	ft	0	Altitude		0

Pump data									
9	Lubrication	Standard, Grease lubrication [Std]							
10	Execution								
11	Design	Horizontal		Impeller Ø	Max.	inch	5 1/8		
12	Operating speed	1700 rpm	Stages		1	designed	inch	4 7/16	
13	Suction nozzle	DN 65	/	PN 16	/	EN1092-1	Min.	inch	4 7/16
14	Discharge nozzle	DN 40	/	PN 16	/	EN1092-1	Flow		Nominal US g.p.m.
15	Max. casing pressure	psi	174		Flow	Max-	US g.p.m.	102.6	
16	Max. working pressure	psi	7.6			Min-	US g.p.m.	38.5	
17	Impeller type	Radial impeller		Head	Nominal	ft			
18	Head H(Q=0)	ft	17		at Qmax	ft	5.2		
19	Max. shaft power	hp	.3		at Qmin	ft	15.4		
20	Pump weight	kg			Shaft power	hp			
21	Total weight	lb	37.5		Efficiency	%			
					NPSH 3%	ft			

Materials						
22		Pump			Shaft Seal	
23	Pump body	Stainless steel / AISI 316L			Single mechanical seal, without shaft sleeve	
24	Impeller	Stainless steel / AISI 316L			Uniten 3K	VBVGG
25	SEAL HOUSING	Stainless steel / AISI 316L			Mechanical seal diameter	7/8 inch
26	Wear ring	Stainless steel / AISI 316L			1. Rotating ring	Ceramic
27	Counterwear ring	Stainless steel / AISI 316L			2. Stationary ring	Carbon graphite resin impregnated
28	Shaft extension	Stainless steel / AISI 316L			3. Secondary seal	Fluorine rubber (FKM)
29	Rigid shaft coupling	Stainless steel / AISI 316			4. Springs	CrNiMo - Steel
30	Impeller locknut and washer	Stainless steel / AISI 316			5. Others	CrNiMo - Steel
31	Tab	Stainless steel / AISI 316L			Gaskets of the pump	Fluorine rubber (FKM)
32	Fill/drain plugs	Stainless steel / AISI 316				
33						
34						
35						
36						
37						
38						
39						
40						
41						

Motor data					
42	Manufacturer	Lowara LM			
43	Specific design	IE2 3ph Flange Motor			
44	Type	LLM471B14/302			
45	Rated power	0.33526 hp	Rated current	1.05 A	
46	Nominal speed	1700 rpm	Rated voltage	265 V	
47	Frame size	71	Service factor	1	
48	Weight	lb	12.6	Degree of protection	IP55

Remarks					
49					
50					
50					
52					

# ESHE 40-125/02/X46RSSA

## Performance curve

Company name  
Contact  
Phone number  
e-mail address

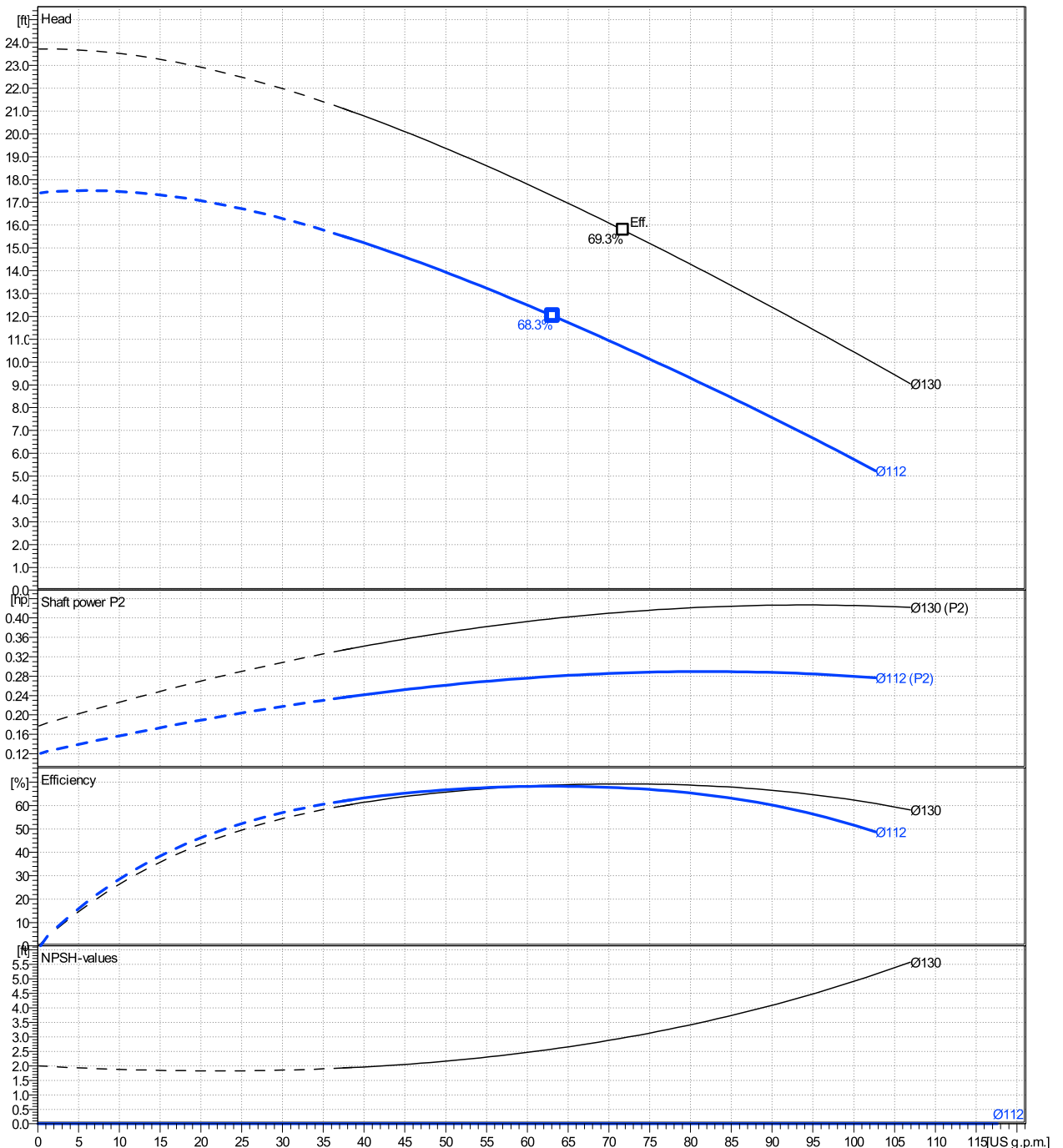
	Ø mm	Pump capacity Operating range η			Pump head η		Shaft power P2 η			Frequency Hz	
		Min. US g.p.m.	Max. US g.p.m.	Max. US g.p.m.	H(Q=0) ft	Max. ft	P2(Q=0) hp	Max. hp	Max. hp	Operating speed rpm	
actual	4 7/16	38.5	103	63.1	17.4	12	0.289	0.279	60	1700	
Min.	0	/	/	63.1	17.4	12	/	0.279			0
Max.	5 1/8	/	/	71.8	23.7	15.8	/	0.412			0

**Power datas referred to:**

hydr. Performance acceptance acc. To EN ISO 9906 Class Grade 3B

Water, pure [100%] ; 39.2°F; 62.4lb/ft³; 1.69E-5ft²/s

MEI: N.A - according to Ecodesign Directive 2009/125/EC and Regulation (EU) No.547/2012



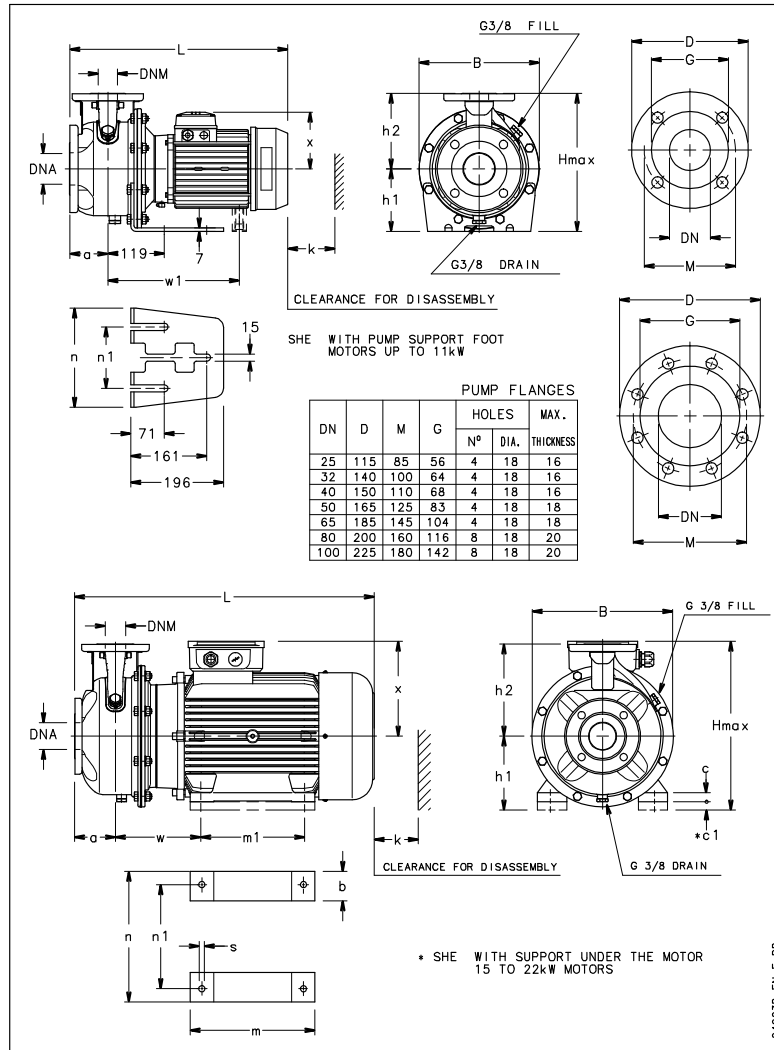
**ESHE 40-125/02/X46RSSA**

**Dimensions**

Company name  
Contact  
Phone number  
e-mail address

Close coupled

LLM471B14/302



Dimensions		[ inch ]	
a	3 <sup>1</sup> / <sub>8</sub>		
B	8 <sup>9</sup> / <sub>16</sub>		
DNA	2 <sup>9</sup> / <sub>16</sub>		
DNM	1 <sup>9</sup> / <sub>16</sub>		
h1	4 <sup>7</sup> / <sub>16</sub>		
h2	5 <sup>1</sup> / <sub>2</sub>		
Hmax	9 <sup>15</sup> / <sub>16</sub>		
k	3 <sup>15</sup> / <sub>16</sub>		
L	16 <sup>3</sup> / <sub>16</sub>		
n	7 <sup>1</sup> / <sub>2</sub>		
n1	5 <sup>1</sup> / <sub>8</sub>		
x	4 <sup>3</sup> / <sub>4</sub>		

Weight	
Total weight	17 kg

Connections	
<b>Suction nozzle</b>	<b>Discharge nozzle</b>
DN 65	DN 40
PN 16	PN 16
EN1092-1	EN1092-1
D	5 <sup>7</sup> / <sub>8</sub>
Dia. Holes	5 <sup>11</sup> / <sub>16</sub>
DN	1 <sup>9</sup> / <sub>16</sub>
G	2 <sup>11</sup> / <sub>16</sub>
M	4 <sup>5</sup> / <sub>16</sub>
Max thickness	Max thickness

**Dimensions and weight without obligation**

Project	Xlect-20182923	Created by		Last update	1/12/2025
Block	ESHE 40-125/22/P26PSSA	Created on	1/12/2025		