

ESHE 40-125/15/S26PSSA

Technical data

Company name
Contact
Phone number
e-mail address

Operating data						
1	Pumpe type	Single head pump		Fluid	Water, pure	
2	No. of pumps	1		Operating temperature t A	°F	39.2
3	Nominal flow	US g.p.m.	0	Max / Min Operating Temperature mech. Seal	°F	120 / -10
4	Nominal head	ft	0	pH-value at t A		7
5	Static head	ft	0	Density at t A	lb/ft ³	62.4
6	Inlet pressure	psi	0	Kin. viscosity at t A	ft ² /s	1.689E-5
7	Environmental temperature	°F	68	Vapor pressure at t A	psi	14.5
8	Available system NPSH	ft	0	Altitude		0

Pump data								
9	Lubrication	Standard, Grease lubrication [Std]						
10	Execution							
11	Design	Horizontal		Impeller Ø	Max.	inch	4 7/16	
12	Operating speed	3485 rpm	Stages		1	designed	inch	4 1/32
13	Suction nozzle	DN 65 /	PN 16 /		EN1092-1	Min.	inch	4 1/32
14	Discharge nozzle	DN 40 /	PN 16 /	EN1092-1	Flow	Nominal US g.p.m.		
15	Max. casing pressure	psi	174			Max-	US g.p.m.	184.1
16	Max. working pressure	psi	26.2		Min-	US g.p.m.	78.9	
17	Impeller type	Radial impeller		Head	Nominal	ft		
18	Head H(Q=0)	ft	60		at Qmax	ft	22.6	
19	Max. shaft power	hp	1.9		at Qmin	ft	54.3	
20	Pump weight	kg			Shaft power	hp		
21	Total weight	lb	49.4		Efficiency	%		
					NPSH 3%	ft		

Materials			
22		Pump	Shaft Seal
23	Pump body	Stainless steel / AISI 316L	Single mechanical seal, without shaft sleeve
24	Impeller	Stainless steel / AISI 316L	Uniten 3K
25	SEAL HOUSING	Stainless steel / AISI 316L	Mechanical seal diameter
26	Wear ring	Stainless steel / AISI 316L	7/8 inch
27	Counterwear ring	Stainless steel / AISI 316L	1. Rotating ring
28	Shaft extension	Stainless steel / AISI 316L	Ceramic
29	Rigid shaft coupling	Stainless steel / AISI 316	2. Stationary ring
30	Impeller locknut and washer	Stainless steel / AISI 316	3. Secondary seal
31	Tab	Stainless steel / AISI 316L	4. Springs
32	Fill/drain plugs	Stainless steel / AISI 316	5. Others
33			Gaskets of the pump
34			Fluorine rubber (FKM)
35			
36			
37			
38			
39			
40			
41			

Motor data			
42	Manufacturer	Lowara SM	
43	Specific design	IE3 3ph Flange Motor	
44	Type	SM 90R B14 1,5 kW	
45	Rated power	2.0115 hp	Rated current
46	Nominal speed	3485 rpm	Rated voltage
47	Frame size	90R	Service factor
48	Weight	lb 29.5	Degree of protection
			IP55

Remarks	
49	
50	
50	
52	

ESHE 40-125/15/S26PSSA

Performance curve

Company name
Contact
Phone number
e-mail address

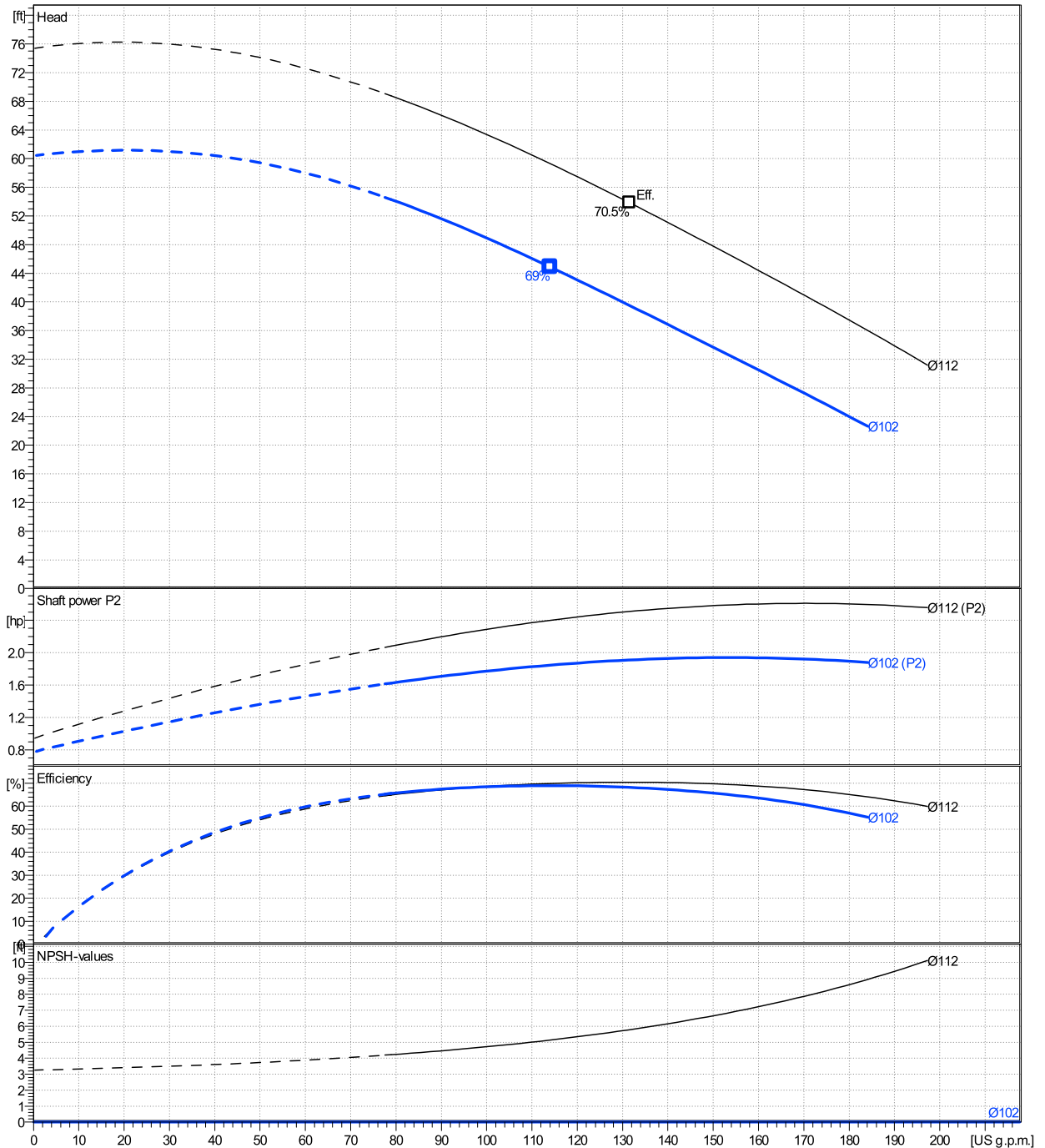
	Ø mm	Pump capacity			Pump head		Shaft power P2			Frequency	Hz	
		Operating range Min. US g.p.m.	Max. US g.p.m.	η Max. US g.p.m.	H(Q=0) ft	η Max. ft	P2(Q=0) hp	Max. hp	η Max. hp	Operating speed	rpm	
actual	4 1/32	78.9	184	114	60.4	44.9	1.94	1.85	Nominal flow	US g.p.m.	0	
Min.	0	/	/	114	60.4	44.9	/	1.85	Nominal head	ft	0	
Max.	4 7/16	/	/	132	75.4	53.8	/	2.51	Inlet pressure	psi	0	
									Static head	ft	0	

Power datas referred to:

hydr. Performance acceptance acc. To EN ISO 9906 Class Grade 3B

Water, pure [100%] ; 39.2°F; 62.4lb/ft³; 1.69E-5ft²/s

MEI: N.A - according to Ecodesign Directive 2009/125/EC and Regulation (EU) No.547/2012



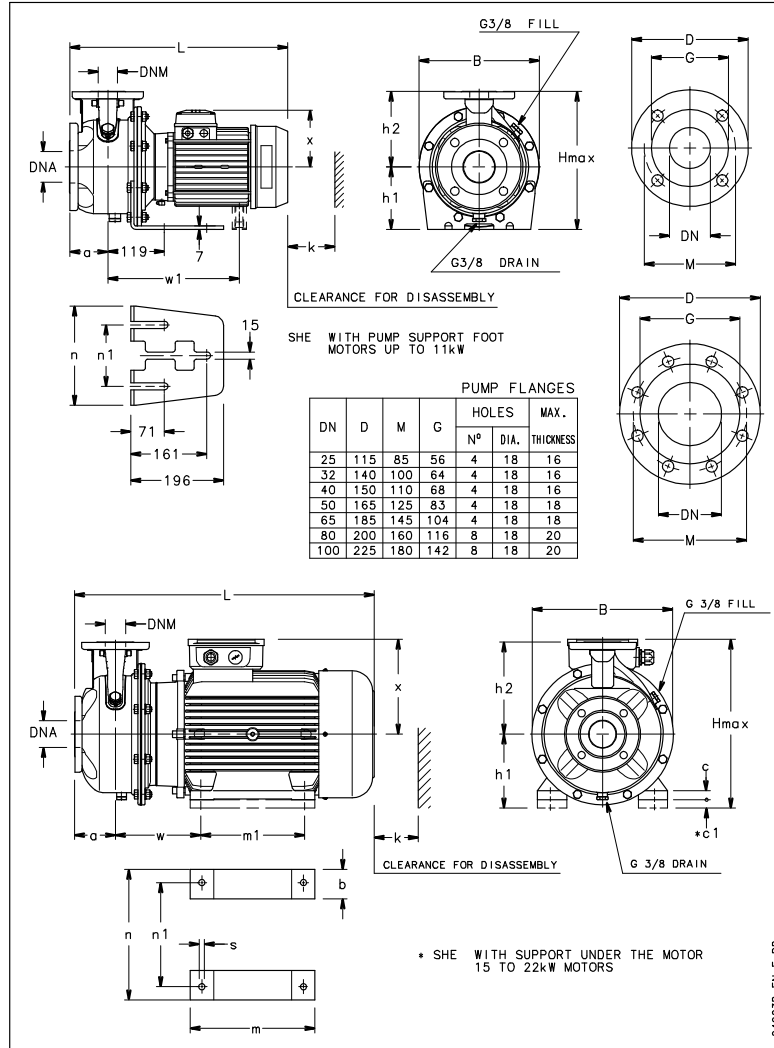
ESHE 40-125/15/S26PSSA

Dimensions

Company name
Contact
Phone number
e-mail address

Close coupled

SM 90R B14 1,5 kW



Dimensions [inch]

a	3 ¹ / ₈		
B	8 ⁹ / ₁₆		
DNA	2 ⁹ / ₁₆		
DNM	1 ⁹ / ₁₆		
h1	4 ⁷ / ₁₆		
h2	5 ¹ / ₂		
Hmax	9 ¹⁵ / ₁₆		
k	3 ¹⁵ / ₁₆		
L	17 ⁷ / ₁₆		
n	7 ¹ / ₂		
n1	5 ¹ / ₈		
x	5 ¹ / ₁₆		

Weight

Total weight	22.4 kg
---------------------	----------------

Connections

Suction nozzle		Discharge nozzle	
DN 65		DN 40	
PN 16		PN 16	
EN1092-1		EN1092-1	
D	7 ⁵ / ₁₆	D	5 ⁷ / ₈
Dia. Holes	1 ¹ / ₁₆	Dia. Holes	1 ⁹ / ₁₆
DN	2 ⁹ / ₁₆	DN	1 ⁹ / ₁₆
G	4 ¹ / ₈	G	2 ¹ / ₁₆
M	5 ¹¹ / ₁₆	M	4 ⁵ / ₁₆
Max thickness	1 ¹ / ₈	Max thickness	1 ¹ / ₈

Dimensions and weight without obligation

Project	Xylect-20182923	Created by		Last update	1/12/2025
Block	ESHE 40-125/22/P26PSSA	Created on	1/12/2025		