

# ESHE 40-250/92/P25VSSA

## Technical data

Company name  
Contact  
Phone number  
e-mail address

Operating data						
1	Pumpe type	Single head pump		Fluid	Water, pure	
2	No. of pumps	1		Operating temperature t A	°C	4
3	Nominal flow	m³/h	0	Max / Min Operating Temperature mech. Seal	°C	120 / -10
4	Nominal head	m	0	pH-value at t A		7
5	Static head	m	0	Density at t A	kg/m³	1000
6	Inlet pressure	kPa	0	Kin. viscosity at t A	mm²/s	1.569
7	Environmental temperature	°C	20	Vapor pressure at t A	kPa	100
8	Available system NPSH	m	0	Altitude		0

Pump data						
9	Lubrication	Standard, Grease lubrication [Std]				
10	Execution					
11	Design	Horizontal				Impeller Ø
12	Operating speed	2920 rpm	Stages	1		
13	Suction nozzle	DN 65	/	PN 16	/	EN1092-1
14	Discharge nozzle	DN 40	/	PN 16	/	EN1092-1
15	Max. casing pressure	kPa	1200			Flow
16	Max. working pressure	kPa	645.1			
17	Impeller type	Radial impeller				Head
18	Head H(Q=0)	m	66			
19	Max. shaft power	kW	9.1			Shaft power
20	Pump weight	kg				Efficiency
21	Total weight	kg	89.0			NPSH 3%

Materials						
22		Pump			Shaft Seal	
23	Pump body	Stainless steel / AISI 316L			Single mechanical seal, without shaft sleeve	
24	Impeller	Stainless steel / AISI 316L			Uniten 3K	VBVGG
25	SEAL HOUSING	Stainless steel / AISI 316L			Mechanical seal diameter	
26	Wear ring	Stainless steel / AISI 316L			1. Rotating ring	Ceramic
27	Counterwear ring	Stainless steel / AISI 316L			2. Stationary ring	Carbon graphite resin impregnated
28	Shaft extension	Stainless steel / AISI 316L			3. Secondary seal	Fluorine rubber (FKM)
29	Rigid shaft coupling	Stainless steel / AISI 316			4. Springs	CrNiMo - Steel
30	Impeller locknut and washer	Stainless steel / AISI 316			5. Others	CrNiMo - Steel
31	Tab	Stainless steel / AISI 316L			Gaskets of the pump	
32	Fill/drain plugs	Stainless steel / AISI 316			Fluorine rubber (FKM)	
33						
34						
35						
36						
37						
38						
39						
40						
41						

Motor data					
Electrical and dimensional data refer to IE3 motor					
42	Manufacturer	Lowara PLM			
43	Specific design	IE3 3ph Flange Motor			
44	Type	PLM 132 B14 9,2 kW			
45	Rated power	9.2 kW	Rated current	17.4 A	
46	Nominal speed	2920 rpm	Rated voltage	400 V	
47	Frame size	132	Service factor	1	
48	Weight	kg 70.4	Degree of protection	IP55	

Remarks					
49					
50					
50					
52					

# ESHE 40-250/92/P25VSSA

## Performance curve

Company name  
Contact  
Phone number  
e-mail address

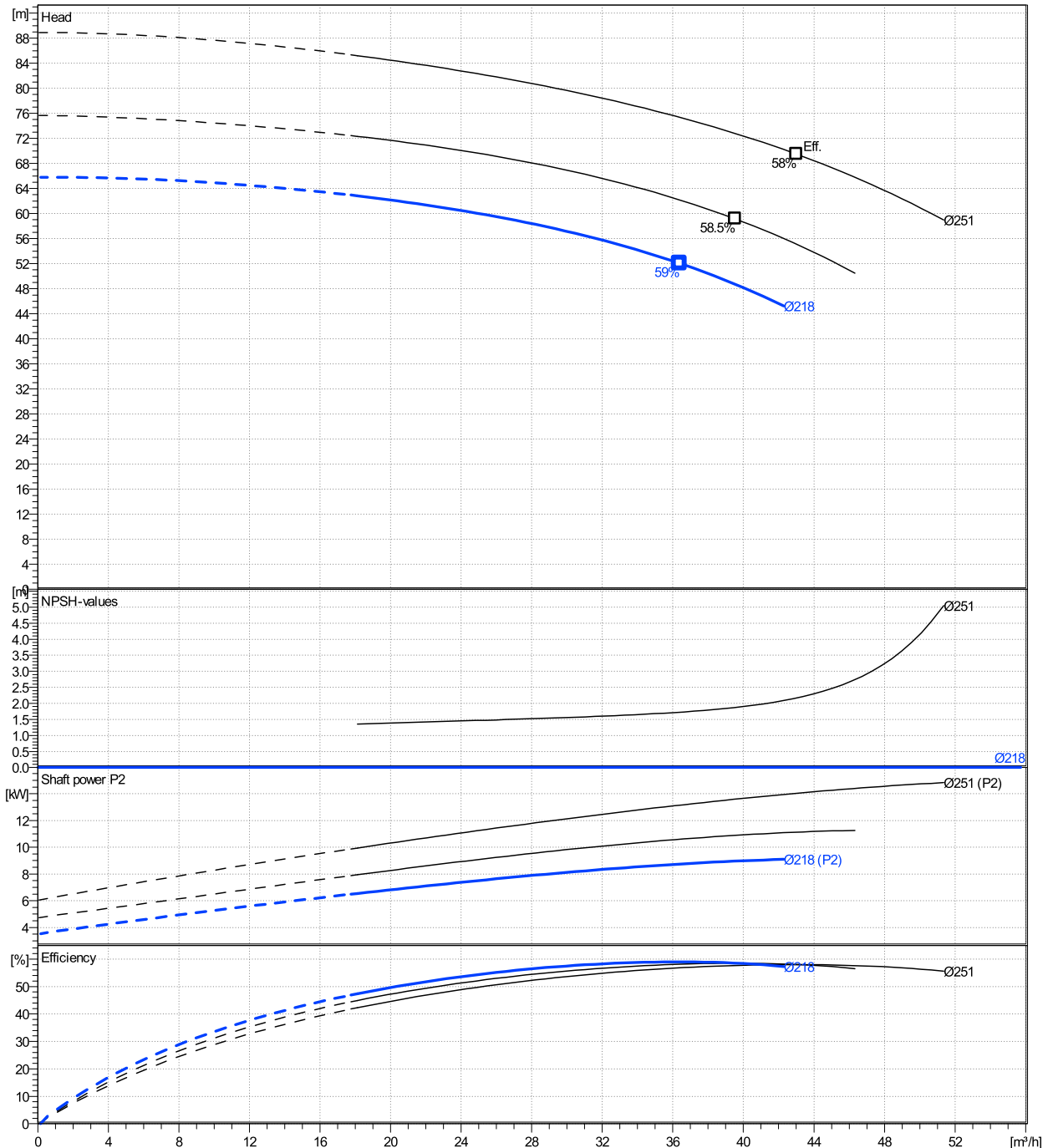
	Ø mm	Pump capacity			Pump head		Shaft power P2			Frequency	Hz	50
		Operating range Min. m³/h	Max. m³/h	η Max. m³/h	H(Q=0) m	η Max. m	P2(Q=0) kW	Max. kW	η Max. kW	Operating speed	rpm	2920
actual	218	18.1	42.3	36.4	65.8	52.1	9.09	8.74		Nominal flow	m³/h	0
Min.	0	/	/	36.4	65.8	52.1	/	8.74		Nominal head	m	0
Max.	251	/	/	43	88.9	69.5	/	14		Inlet pressure	kPa	0
										Static head	m	0

**Power datas referred to:**

hydr. Performance acceptance acc. To EN ISO 9906 Class Grade 3B

Water, pure [100%] ; 4°C; 1000kg/m³; 1.57mm²/s

MEI: N.A - according to Ecodesign Directive 2009/125/EC and Regulation (EU) No.547/2012



**ESHE 40-250/92/P25VSSA**

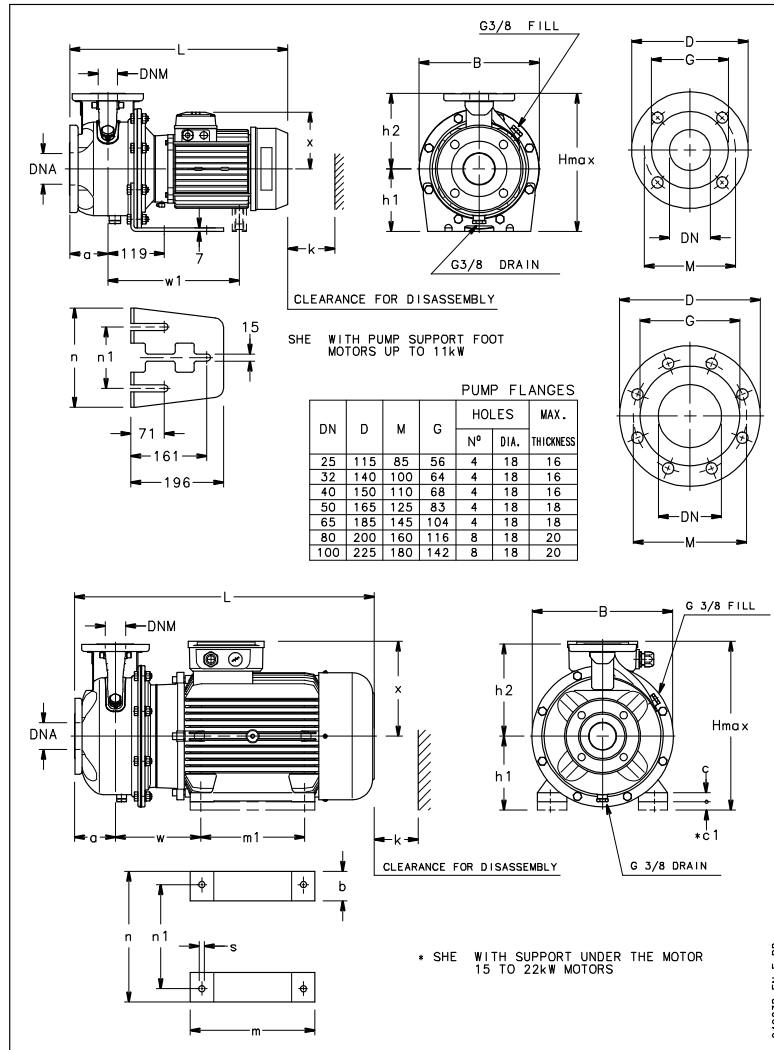
**Dimensions**

Company name  
Contact  
Phone number  
e-mail address

Close coupled

PLM 132 B14 9,2 kW

Electrical and dimensional data refer to IE3 motor



Dimensions		[ mm ]	
a	100		
B	345		
DNA	65		
DNM	40		
h1	180		
h2	225		
Hmax	405		
k	107		
L	605		
n	265		
n1	130		
w1	343		
x	191		

Weight	
Total weight	89 kg

Connections			
<b>Suction nozzle</b>		<b>Discharge nozzle</b>	
DN 65		DN 40	
PN 16		PN 16	
EN1092-1		EN1092-1	
D	185	D	150
Dia. Holes	18	Dia. Holes	18
DN	65	DN	40
G	104	G	68
M	145	M	110
Max thickness	16	Max thickness	16

**Dimensions and weight without obligation**

Project	Xylect-20106709	Created by		Last update	12/16/2024
Block	ESHE 40-250/150/P25VSSA	Created on	12/16/2024		