

# ESHE 40-250/92/P26PSSA

## Technical data

Company name  
Contact  
Phone number  
e-mail address

Operating data						
1	Pumpe type	Single head pump		Fluid	Water, pure	
2	No. of pumps	1		Operating temperature t A	°F	39.2
3	Nominal flow	US g.p.m.	0	Max / Min Operating Temperature mech. Seal	°F	120 / -10
4	Nominal head	ft	0	pH-value at t A		7
5	Static head	ft	0	Density at t A	lb/ft <sup>3</sup>	62.4
6	Inlet pressure	psi	0	Kin. viscosity at t A	ft <sup>2</sup> /s	1.689E-5
7	Environmental temperature	°F	68	Vapor pressure at t A	psi	14.5
8	Available system NPSH	ft	0	Altitude		0

Pump data									
9	Lubrication	Standard, Grease lubrication [Std]							
10	Execution								
11	Design	Horizontal		Impeller Ø	Max.	inch	8 7/16		
12	Operating speed	3590 rpm	Stages		1	designed	inch	7 3/8	
13	Suction nozzle	DN 65	/	PN 16	/	EN1092-1	Min.	inch	7 3/8
14	Discharge nozzle	DN 40	/	PN 16	/	EN1092-1	Flow		Nominal US g.p.m.
15	Max. casing pressure	psi	174		Flow	Max-	US g.p.m.	189.7	
16	Max. working pressure	psi	96.4			Min-	US g.p.m.	81.3	
17	Impeller type	Radial impeller		Head	Nominal	ft			
18	Head H(Q=0)	ft	220		at Qmax	ft	139.9		
19	Max. shaft power	hp	12.4		at Qmin	ft	211.1		
20	Pump weight	kg			Shaft power	hp			
21	Total weight	lb	198.4		Efficiency	%			
					NPSH 3%	ft			

Materials			
Pump		Shaft Seal	
22			
23	Pump body	Stainless steel / AISI 316L	Single mechanical seal, without shaft sleeve
24	Impeller	Stainless steel / AISI 316L	Uniten 3K
25	SEAL HOUSING	Stainless steel / AISI 316L	Mechanical seal diameter
26	Wear ring	Stainless steel / AISI 316L	7/8 inch
27	Counterwear ring	Stainless steel / AISI 316L	1. Rotating ring
28	Shaft extension	Stainless steel / AISI 316L	Ceramic
29	Rigid shaft coupling	Stainless steel / AISI 316	2. Stationary ring
30	Impeller locknut and washer	Stainless steel / AISI 316	3. Secondary seal
31	Tab	Stainless steel / AISI 316L	4. Springs
32	Fill/drain plugs	Stainless steel / AISI 316	5. Others
33			Gaskets of the pump
34			Fluorine rubber (FKM)
35			
36			
37			
38			
39			
40			
41			

Motor data			
Electrical and dimensional data refer to IE3 motor			
42	Manufacturer	Lowara PLM	
43	Specific design	IE3 3ph Flange Motor	
44	Type	PLM 132 B14 9,2 kW	
45	Rated power	12.337 hp	Rated current
46	Nominal speed	3590 rpm	30.6 A
47	Frame size	132	Rated voltage
48	Weight	lb 224.9	220 V
			Service factor
			1
			Degree of protection
			IP55

Remarks	
49	
50	
50	
52	

# ESHE 40-250/92/P26PSSA

## Performance curve

Company name  
Contact  
Phone number  
e-mail address

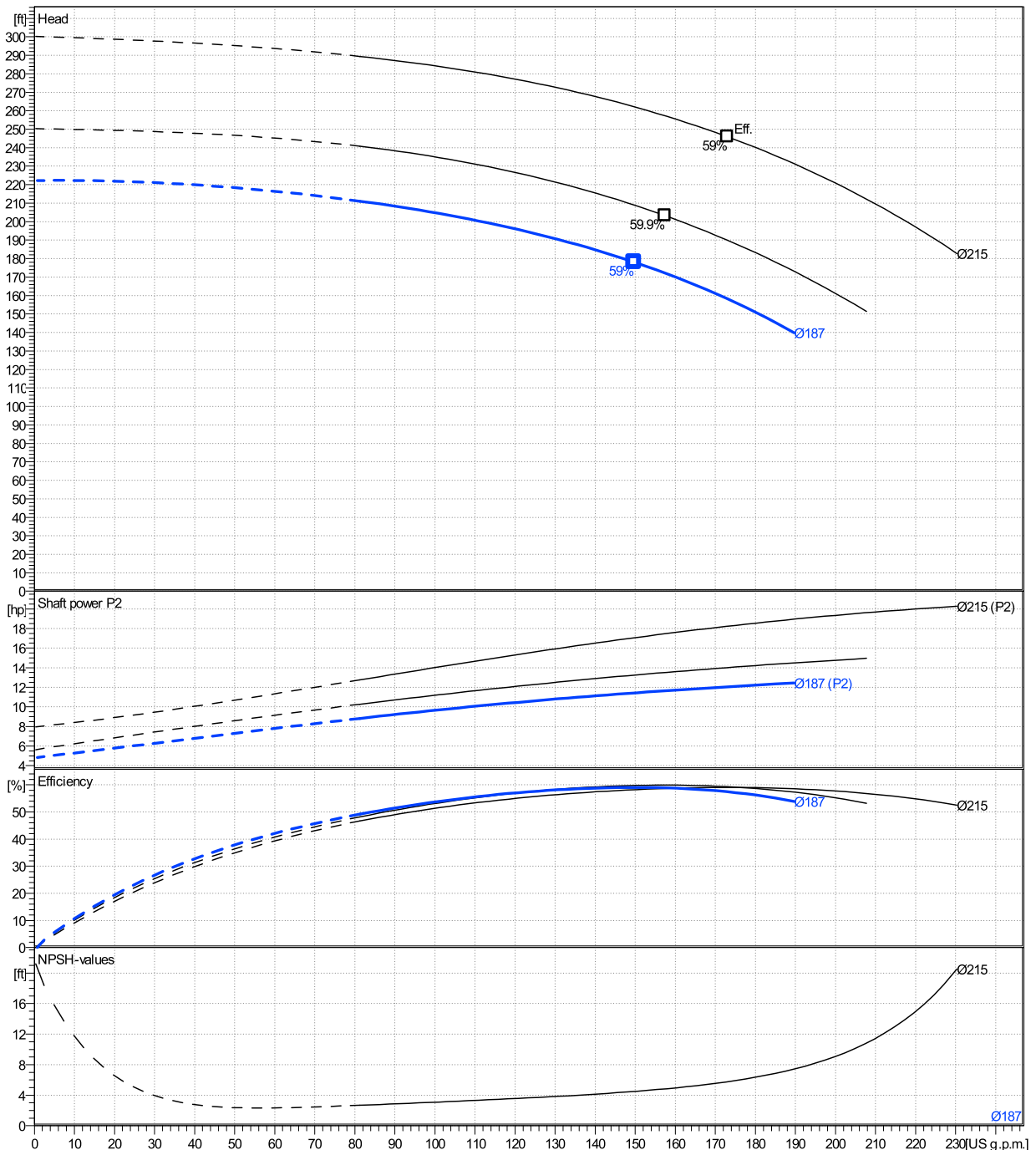
	Ø mm	Pump capacity Operating range η			Pump head η		Shaft power P2 η			Frequency	Hz	
		Min. US g.p.m.	Max. US g.p.m.	Max. US g.p.m.	H(Q=0) ft	Max. ft	P2(Q=0) hp	Max. hp	Max. hp	Operating speed	rpm	
actual	7 3/8	81.3	190	150	222	178		12.4	11.4	Nominal flow	US g.p.m.	0
Min.	0	/	/	150	222	178		/	11.4	Nominal head	ft	0
Max.	8 7/16	/	/	173	300	246		/	18.2	Inlet pressure	psi	0
										Static head	ft	0

**Power datas referred to:**

hydr. Performance acceptance acc. To EN ISO 9906 Class Grade 3B

Water, pure [100%] ; 39.2°F; 62.4lb/ft³; 1.69E-5ft²/s

MEI: N.A - according to Ecodesign Directive 2009/125/EC and Regulation (EU) No.547/2012



**ESHE 40-250/92/P26PSSA**

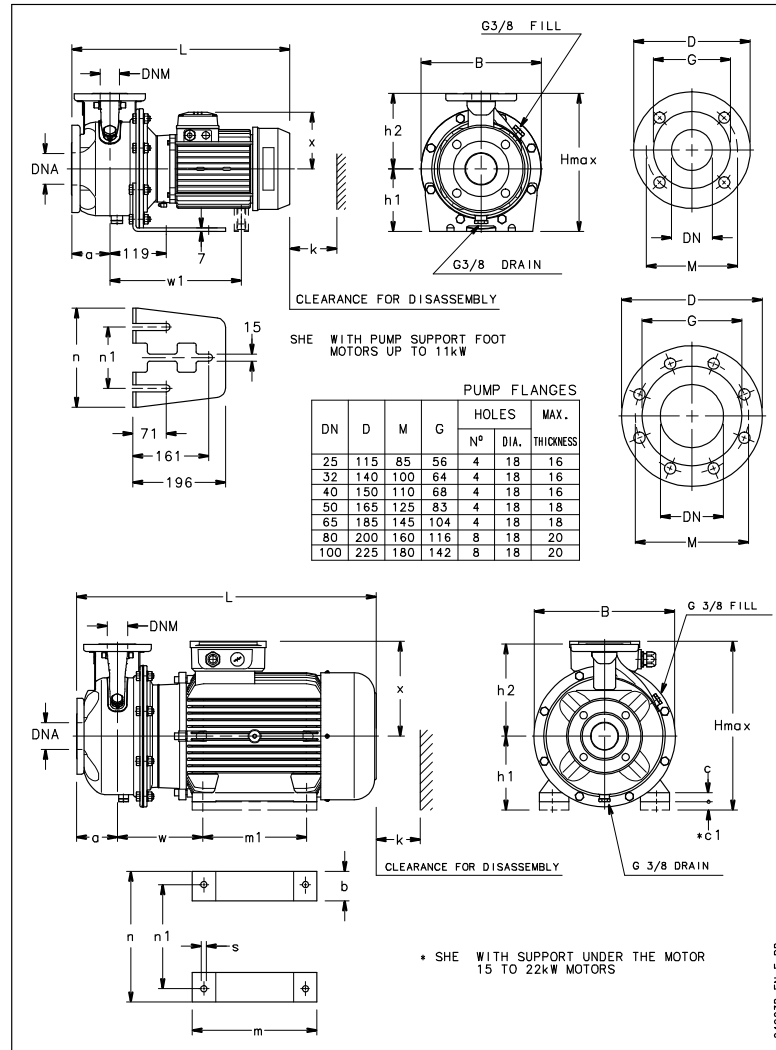
**Dimensions**

Company name  
Contact  
Phone number  
e-mail address

Close coupled

PLM 132 B14 9,2 kW

Electrical and dimensional data refer to IE3 motor



**Dimensions [ inch ]**

a	3 <sup>15</sup> / <sub>16</sub>		
B	13 <sup>9</sup> / <sub>16</sub>		
DNA	2 <sup>9</sup> / <sub>16</sub>		
DNM	1 <sup>9</sup> / <sub>16</sub>		
h1	7 <sup>1</sup> / <sub>16</sub>		
h2	8 <sup>7</sup> / <sub>8</sub>		
Hmax	15 <sup>15</sup> / <sub>16</sub>		
k	4 <sup>3</sup> / <sub>16</sub>		
L	23 <sup>13</sup> / <sub>16</sub>		
n	10 <sup>7</sup> / <sub>16</sub>		
n1	5 <sup>1</sup> / <sub>8</sub>		
w1	13 <sup>1</sup> / <sub>2</sub>		
x	7 <sup>1</sup> / <sub>2</sub>		

**Weight**

Total weight **90 kg**

**Connections**

Suction nozzle		Discharge nozzle	
DN 65		DN 40	
PN 16		PN 16	
EN1092-1		EN1092-1	
D	7 <sup>5</sup> / <sub>16</sub>	D	5 <sup>7</sup> / <sub>8</sub>
Dia. Holes	1 <sup>1</sup> / <sub>16</sub>	Dia. Holes	1 <sup>1</sup> / <sub>16</sub>
DN	2 <sup>9</sup> / <sub>16</sub>	DN	1 <sup>9</sup> / <sub>16</sub>
G	4 <sup>1</sup> / <sub>8</sub>	G	2 <sup>1</sup> / <sub>16</sub>
M	5 <sup>11</sup> / <sub>16</sub>	M	4 <sup>5</sup> / <sub>16</sub>
Max thickness	1 <sup>1</sup> / <sub>8</sub>	Max thickness	1 <sup>1</sup> / <sub>8</sub>

**Dimensions and weight without obligation**

Project **Xlect-20182923**  
Block **ESHE 40-250/150/P26PSSA**

Created by  
Created on **1/12/2025**

Last update **1/12/2025**