

ESHE 50-250/220/P25VSSA

Technical data

Company name
Contact
Phone number
e-mail address

Operating data						
1	Pumpe type	Single head pump		Fluid	Water, pure	
2	No. of pumps	1		Operating temperature t A	°C	4
3	Nominal flow	m ³ /h	0	Max / Min Operating Temperature mech. Seal	°C	120 / -10
4	Nominal head	m	0	pH-value at t A		7
5	Static head	m	0	Density at t A	kg/m ³	1000
6	Inlet pressure	kPa	0	Kin. viscosity at t A	mm ² /s	1.569
7	Environmental temperature	°C	20	Vapor pressure at t A	kPa	100
8	Available system NPSH	m	0	Altitude		0

Pump data								
9	Lubrication	Standard, Grease lubrication [Std]						
10	Execution							
11	Design	Horizontal		Impeller Ø	Max.	mm	250	
12	Operating speed	2950 rpm	Stages		1	designed	mm	250
13	Suction nozzle	DN 65 /	PN 16 /		EN1092-1	Min.	mm	224
14	Discharge nozzle	DN 50 /	PN 16 /	EN1092-1	Flow	Nominal	m ³ /h	
15	Max. casing pressure	kPa	1200			Max-	m ³ /h	88.5
16	Max. working pressure	kPa	902		Min-	m ³ /h	36.6	
17	Impeller type	Radial impeller		Head	Nominal	m		
18	Head H(Q=0)	m	92		at Qmax	m	60.2	
19	Max. shaft power	kW	22.8		at Qmin	m	87.4	
20	Pump weight	kg			Shaft power	kW		
21	Total weight	kg	147.0		Efficiency	%		
					NPSH 3%	m		

Materials			
22		Pump	Shaft Seal
23	Pump body	Stainless steel / AISI 316L	Single mechanical seal, without shaft sleeve
24	Impeller	Stainless steel / AISI 316L	Uniten 3K
25	SEAL HOUSING	Stainless steel / AISI 316L	Mechanical seal diameter
26	Wear ring	Stainless steel / AISI 316L	1. Rotating ring
27	Counterwear ring	Stainless steel / AISI 316L	2. Stationary ring
28	Shaft extension	Stainless steel / AISI 316L	3. Secondary seal
29	Rigid shaft coupling	Stainless steel / AISI 316	4. Springs
30	Impeller locknut and washer	Stainless steel / AISI 316	5. Others
31	Tab	Stainless steel / AISI 316L	Gaskets of the pump
32	Fill/drain plugs	Stainless steel / AISI 316	
33			
34			
35			
36			
37			
38			
39			
40			
41			

Motor data			
Electrical and dimensional data refer to IE3 motor			
42	Manufacturer	Lowara PLM	
43	Specific design	IE3 3ph Flange Motor	
44	Type	PLM 160 B34 22 kW	
45	Rated power	22 kW	Rated current
46	Nominal speed	2950 rpm	Rated voltage
47	Frame size	160	Service factor
48	Weight	kg 117.0	Degree of protection

Remarks			
49			
50			
50			
52			

ESHE 50-250/220/P25VSSA

Performance curve

Company name
Contact
Phone number
e-mail address

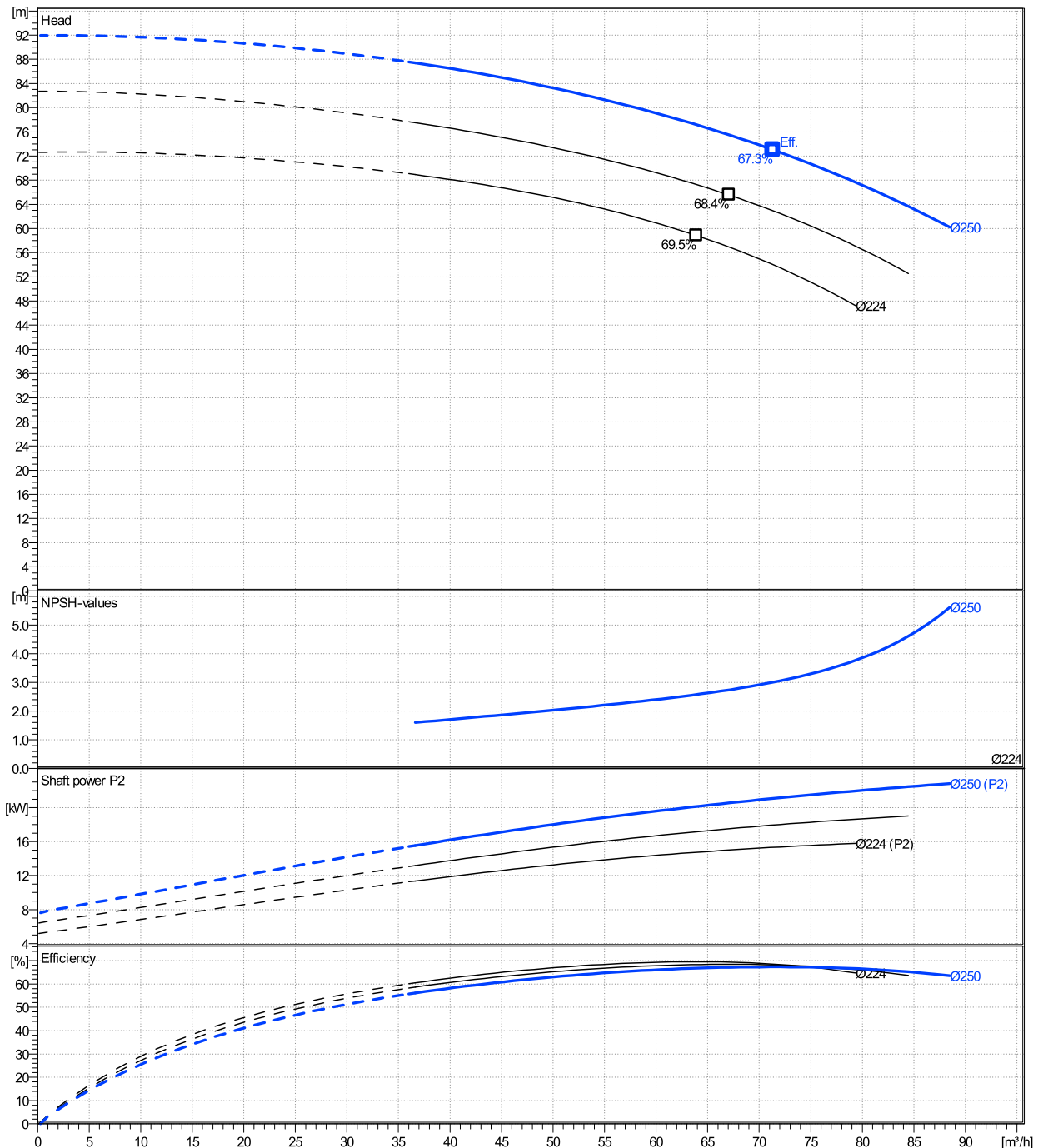
	Ø mm	Pump capacity			Pump head		Shaft power P2			Frequency	Hz	50
		Operating range Min. m³/h	Max. m³/h	η Max. m³/h	H(Q=0) m	η Max. m	P2(Q=0) kW	Max. kW	η Max. kW	Operating speed	rpm	2950
actual	250	36.6	88.5	71.3	91.9	73	22.8	21.1	Nominal flow	m³/h	0	
Min.	0	/	/	63.9	72.6	58.9	/	14.7	Nominal head	m	0	
Max.	250	/	/	71.3	91.9	73	/	21.1	Inlet pressure	kPa	0	
									Static head	m	0	

Power datas referred to:

hydr. Performance acceptance acc. To EN ISO 9906 Class Grade 3B

Water, pure [100%] ; 4°C; 1000kg/m³; 1.57mm²/s

MEI: N.A - according to Ecodesign Directive 2009/125/EC and Regulation (EU) No.547/2012



ESHE 50-250/220/P25VSSA

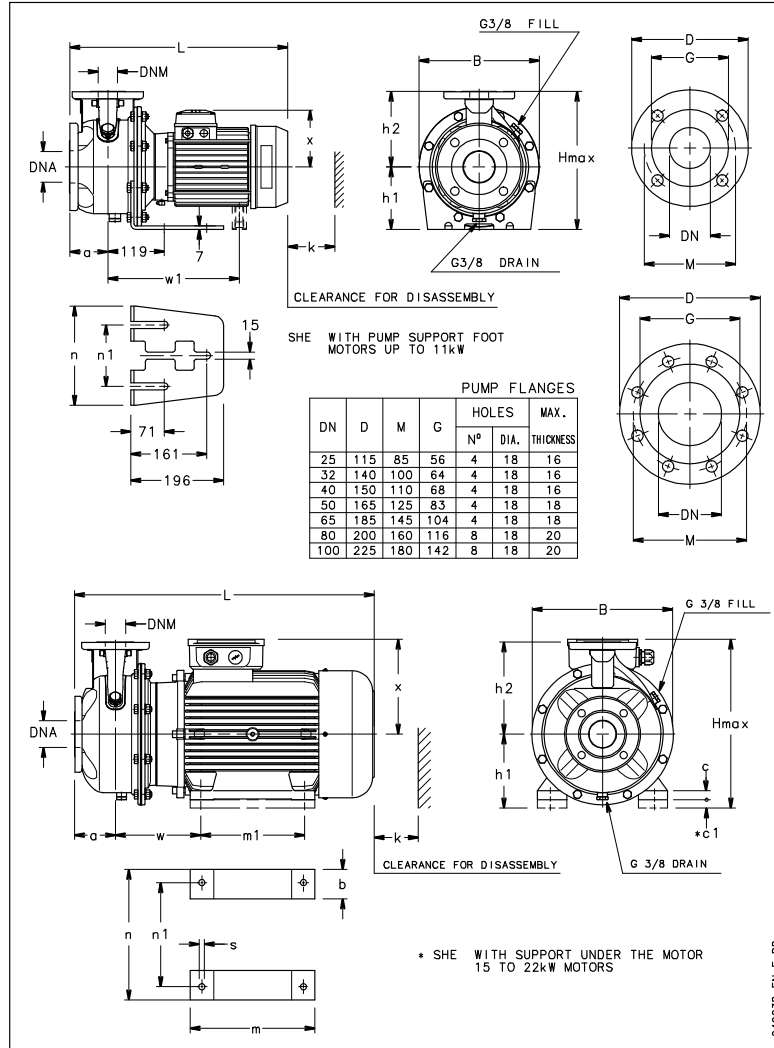
Dimensions

Company name
Contact
Phone number
e-mail address

Close coupled

PLM 160 B34 22 kW

Electrical and dimensional data refer to IE3 motor



Dimensions [mm]

a	100
B	345
b	49
c	5
DNA	65
DNM	50
h1	180
h2	225
Hmax	420
k	107
L	694
m	304
m1	254
n	304
n1	254
s	15
w	208
x	240

Weight

Total weight	147 kg
---------------------	---------------

Connections

Suction nozzle		Discharge nozzle	
DN 65		DN 50	
PN 16		PN 16	
EN1092-1		EN1092-1	
D	185	D	165
Dia. Holes	18	Dia. Holes	18
DN	65	DN	50
G	104	G	83
M	145	M	125
Max thickness	18	Max thickness	18

Dimensions and weight without obligation

Project	Xylect-20106422	Created by		Last update	12/16/2024
Block	ESHE 50-250/220/P25VSSA	Created on	12/16/2024		