

ESHE 50-250/22/P46PSSA

Technical data

Company name
Contact
Phone number
e-mail address

Operating data					
1	Pumpe type	Single head pump		Fluid	Water, pure
2	No. of pumps	1		Operating temperature t A	°F 39.2
3	Nominal flow	US g.p.m.	0	Max / Min Operating Temperature mech. Seal	°F 120 / -10
4	Nominal head	ft	0	pH-value at t A	7
5	Static head	ft	0	Density at t A	lb/ft ³ 62.4
6	Inlet pressure	psi	0	Kin. viscosity at t A	ft ² /s 1.689E-5
7	Environmental temperature	°F	68	Vapor pressure at t A	psi 14.5
8	Available system NPSH	ft	0	Altitude	0

Pump data					
9	Lubrication	Standard, Grease lubrication [Std]			
10	Execution				
11	Design	Horizontal		Impeller Ø	Max. inch 8 13/16
12	Operating speed	1740 rpm	Stages 1		designed inch 7 7/16
13	Suction nozzle	DN 65 /	PN 16 /	EN1092-1	Min. inch 7 7/16
14	Discharge nozzle	DN 50 /	PN 16 /	EN1092-1	Nominal US g.p.m.
15	Max. casing pressure	psi	174	Flow	Max- US g.p.m. 183.9
16	Max. working pressure	psi	24.5		Min- US g.p.m. 78.8
17	Impeller type	Radial impeller		Head	Nominal ft
18	Head H(Q=0)	ft	56		at Qmax ft 27.9
19	Max. shaft power	hp	2.1		at Qmin ft 51.6
20	Pump weight	kg		Shaft power	hp
21	Total weight	lb	123.5	Efficiency	%
				NPSH 3%	ft

Materials					
22		Pump		Shaft Seal	
23	Pump body	Stainless steel / AISI 316L		Single mechanical seal, without shaft sleeve	
24	Impeller	Stainless steel / AISI 316L		Uniten 3K	VBVGG
25	SEAL HOUSING	Stainless steel / AISI 316L		Mechanical seal diameter	1 1/8 inch
26	Wear ring	Stainless steel / AISI 316L		1. Rotating ring	Ceramic
27	Counterwear ring	Stainless steel / AISI 316L		2. Stationary ring	Carbon graphite resin impregnated
28	Shaft extension	Stainless steel / AISI 316L		3. Secondary seal	Fluorine rubber (FKM)
29	Rigid shaft coupling	Stainless steel / AISI 316		4. Springs	CrNiMo - Steel
30	Impeller locknut and washer	Stainless steel / AISI 316		5. Others	CrNiMo - Steel
31	Tab	Stainless steel / AISI 316L		Gaskets of the pump	Fluorine rubber (FKM)
32	Fill/drain plugs	Stainless steel / AISI 316			
33					
34					
35					
36					
37					
38					
39					
40					
41					

Motor data					
Electrical and dimensional data refer to IE3 motor					
42	Manufacturer	Lowara PLM			
43	Specific design	IE3 3ph Flange Motor			
44	Type	PLM 100 B14 2,2 kW			
45	Rated power	2.9502 hp	Rated current	8.19 A	
46	Nominal speed	1740 rpm	Rated voltage	220 V	
47	Frame size	100	Service factor	1	
48	Weight	lb 63.5	Degree of protection	IP55	

Remarks					
49					
50					
50					
52					

Project	Xylect-20182923	Created by		Last update	1/12/2025
Block	ESHE 50-250/220/P26PSSA	Created on	1/12/2025		

ESHE 50-250/22/P46PSSA

Performance curve

Company name
Contact
Phone number
e-mail address

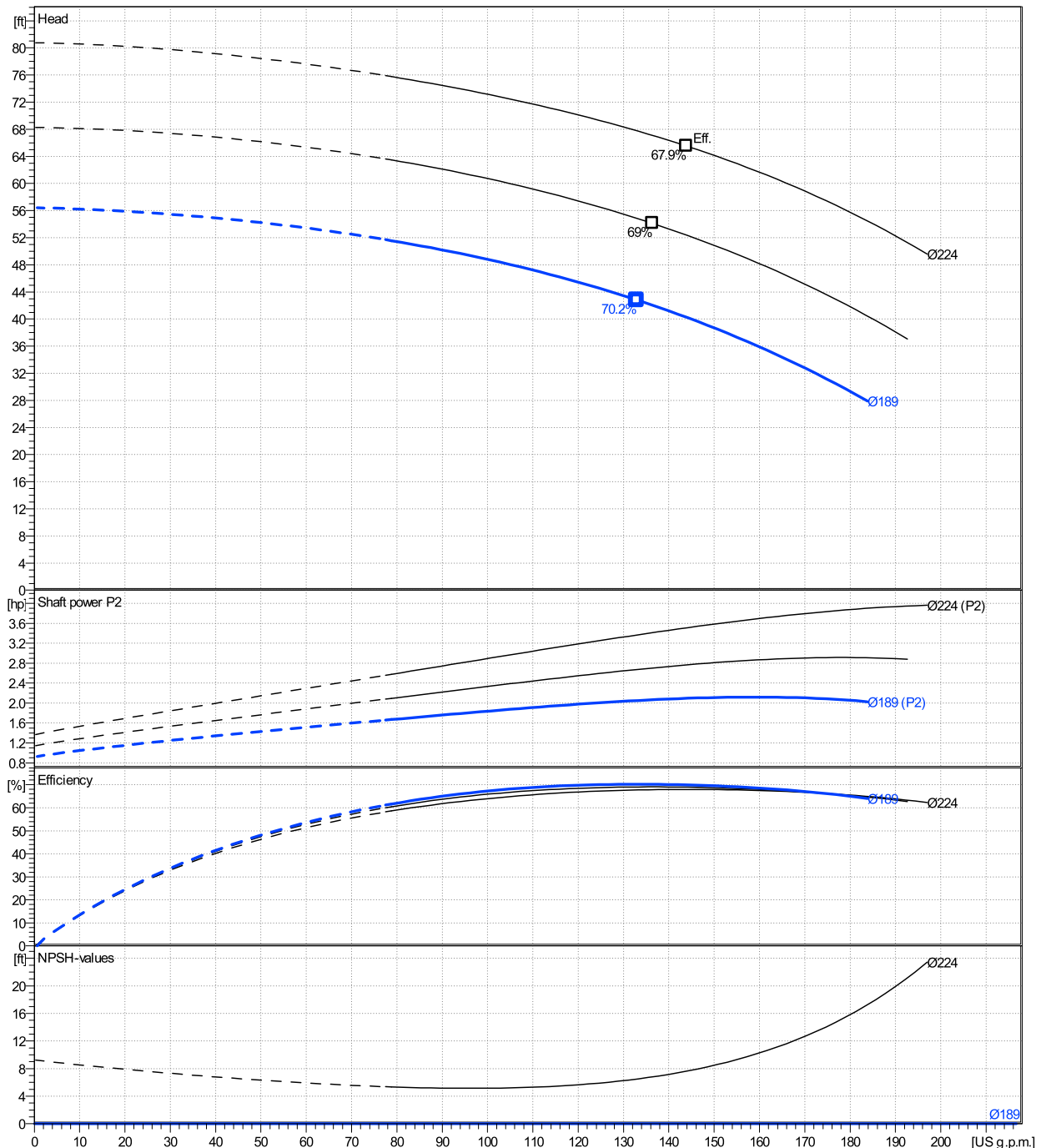
	Ø mm	Pump capacity			Pump head		Shaft power P2			Frequency	Hz	
		Operating range Min. US g.p.m.	Max. US g.p.m.	η Max. US g.p.m.	H(Q=0) ft	η Max. ft	P2(Q=0) hp	Max. hp	η Max. hp	Operating speed	rpm	
actual	7 7/16	78.8	184	133	56.4	42.8		2.12	2.05	Nominal flow	US g.p.m.	0
Min.	0	/	/	133	56.4	42.8		/	2.05	Nominal head	ft	0
Max.	8 13/16	/	/	144	80.8	65.5		/	3.51	Inlet pressure	psi	0
										Static head	ft	0

Power datas referred to:

hydr. Performance acceptance acc. To EN ISO 9906 Class Grade 3B

Water, pure [100%] ; 39.2°F; 62.4lb/ft³; 1.69E-5ft²/s

MEI: N.A - according to Ecodesign Directive 2009/125/EC and Regulation (EU) No.547/2012



ESHE 50-250/22/P46PSSA

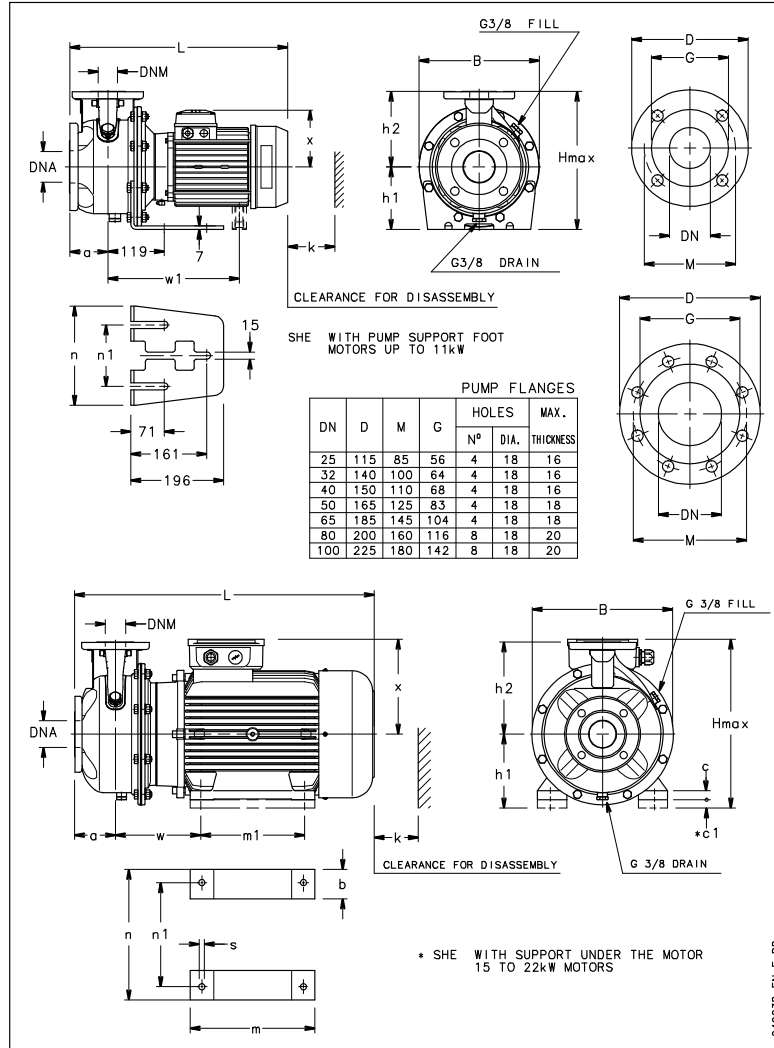
Dimensions

Company name
Contact
Phone number
e-mail address

Close coupled

PLM 100 B14 2,2 kW

Electrical and dimensional data refer to IE3 motor



Dimensions [inch]	
a	3 ¹⁵ / ₁₆
B	13 ⁹ / ₁₆
DNA	2 ⁹ / ₁₆
DNM	1 ¹⁵ / ₁₆
h1	7 ¹ / ₁₆
h2	8 ⁷ / ₈
Hmax	15 ¹⁵ / ₁₆
k	4 ³ / ₁₆
L	20 ⁹ / ₁₆
n	10 ⁷ / ₁₆
n1	5 ¹ / ₈
x	6 ⁵ / ₈

Weight	
Total weight	56 kg

Connections	
Suction nozzle	Discharge nozzle
DN 65	DN 50
PN 16	PN 16
EN1092-1	EN1092-1
D	6 ¹ / ₂
Dia. Holes	1 ¹⁵ / ₁₆
DN	1 ¹⁵ / ₁₆
G	3 ¹ / ₄
M	4 ¹⁵ / ₁₆
Max thickness	1 ¹⁵ / ₁₆

Dimensions and weight without obligation

Project	Xlect-20182923	Created by		Last update	1/12/2025
Block	ESHE 50-250/220/P26PSSA	Created on	1/12/2025		