

ESHE 65-160/75/P25VSNA

Technical data

Company name
Contact
Phone number
e-mail address

Operating data						
1	Pumpe type	Single head pump		Fluid	Water, pure	
2	No. of pumps	1		Operating temperature t A	°C	4
3	Nominal flow	m ³ /h	0	Max / Min Operating Temperature mech. Seal	°C	120 / -10
4	Nominal head	m	0	pH-value at t A		7
5	Static head	m	0	Density at t A	kg/m ³	1000
6	Inlet pressure	kPa	0	Kin. viscosity at t A	mm ² /s	1.569
7	Environmental temperature	°C	20	Vapor pressure at t A	kPa	100
8	Available system NPSH	m	0	Altitude		0

Pump data										
9	Lubrication	Standard, Grease lubrication [Std]								
10	Execution									
11	Design	Horizontal		Impeller Ø	Max.	mm	176			
12	Operating speed	2920 rpm	Stages		1	designed	mm	154		
13	Suction nozzle	DN 80	/	PN 16	/	EN1092-1	Min.	mm	127	
14	Discharge nozzle	DN 65	/	PN 16	/	EN1092-1	Flow	Nominal	m ³ /h	
15	Max. casing pressure	kPa	1200		Max-	m ³ /h		120.8		
16	Max. working pressure	kPa	305.4		Min-	m ³ /h	39.3			
17	Impeller type	Radial impeller		Head	Nominal	m				
18	Head H(Q=0)	m	31		at Qmax	m	11.3			
19	Max. shaft power	kW	6.9		at Qmin	m	30			
20	Pump weight	kg			Shaft power	kW				
21	Total weight	kg	80.0		Efficiency	%				
					NPSH 3%	m				

Materials			
Pump		Shaft Seal	
22			
23	Pump body	Stainless steel / AISI 316L	
24	Impeller	Stainless steel / ASTMCF8M	
25	SEAL HOUSING	Stainless steel / AISI 316L	
26	Wear ring	Stainless steel / AISI 316L	
27	Counterwear ring	Stainless steel / AISI 316L	
28	Shaft extension	Stainless steel / AISI 316L	
29	Rigid shaft coupling	Stainless steel / AISI 316	
30	Impeller locknut and washer	Stainless steel / AISI 316	
31	Tab	Stainless steel / AISI 316L	
32	Fill/drain plugs	Stainless steel / AISI 316	
33			
34			
35			
36			
37			
38			
39			
40			
41			

Motor data					
Electrical and dimensional data refer to IE3 motor					
42	Manufacturer	Lowara PLM			
43	Specific design	IE3 3ph Flange Motor			
44	Type	PLM 132 B14 7,5 kW			
45	Rated power	7.5 kW	Rated current	14.1 A	
46	Nominal speed	2920 rpm	Rated voltage	400 V	
47	Frame size	132	Service factor	1	
48	Weight	kg	55.8	Degree of protection	IP55

Remarks	
49	
50	
50	
52	

Project	Xylect-20106709	Created by		Last update	12/16/2024
Block	ESHE 65-160/110/P25VSNA	Created on	12/16/2024		

ESHE 65-160/75/P25VNSA

Performance curve

Company name
Contact
Phone number
e-mail address

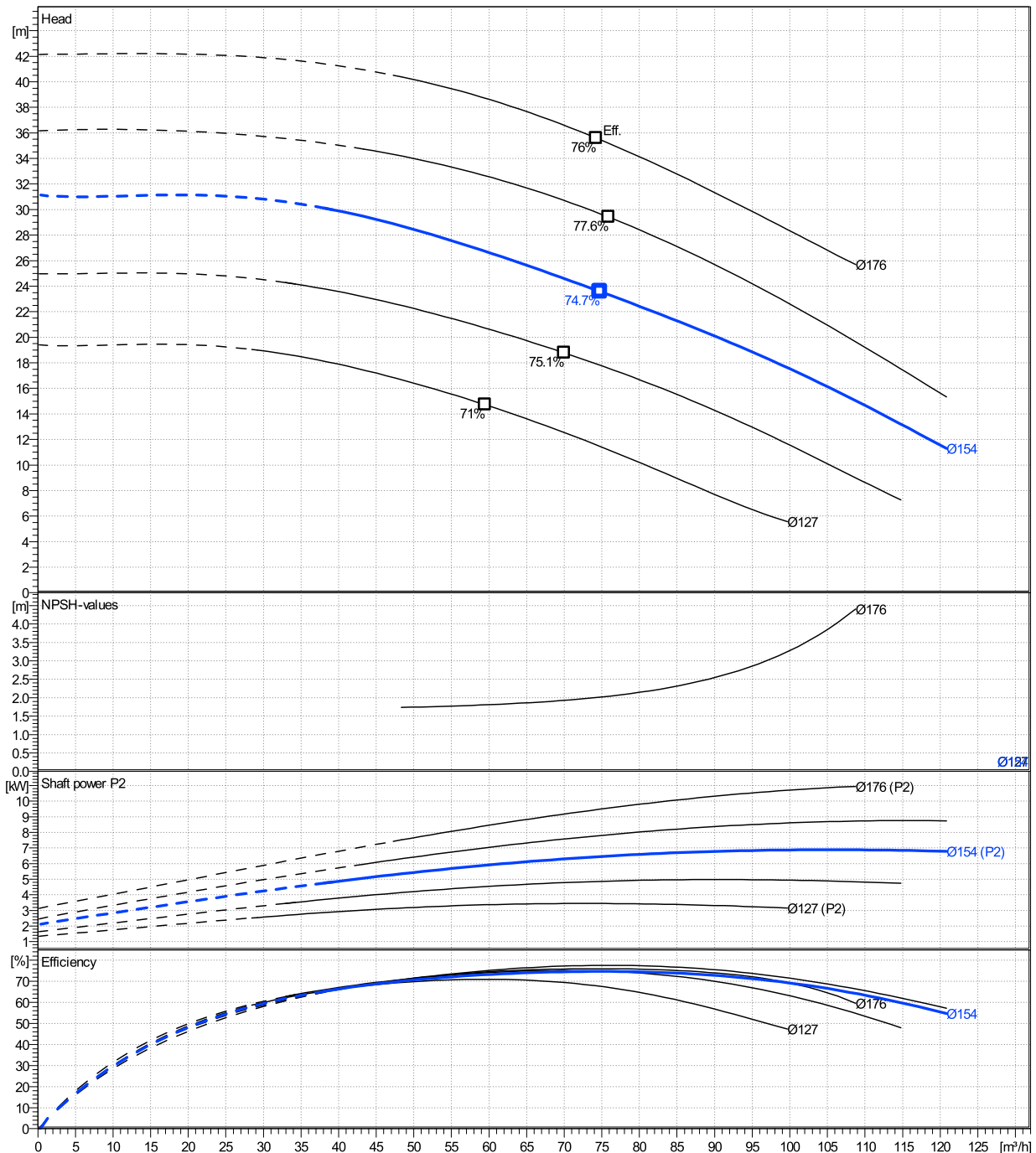
	Ø mm	Pump capacity			Pump head		Shaft power P2			Frequency		Hz	50
		Operating range Min. m³/h	Max. m³/h	η Max. m³/h	H(Q=0) m	η Max. m	P2(Q=0) kW	Max. kW	η Max. kW	Operating speed rpm	2920		
actual	154	39.3	121	74.8	31.1	23.6		6.89	6.45	Nominal flow	m³/h	0	
Min.	0	/	/	59.5	19.4	14.7		/	3.36	Nominal head	m	0	
Max.	176	/	/	74.3	42.1	35.6		/	9.45	Inlet pressure	kPa	0	
										Static head	m	0	

Power datas referred to:

hydr. Performance acceptance acc. To EN ISO 9906 Class Grade 3B

Water, pure [100%] ; 4°C; 1000kg/m³; 1.57mm²/s

MEI: N.A - according to Ecodesign Directive 2009/125/EC and Regulation (EU) No.547/2012



ESHE 65-160/75/P25VSNA

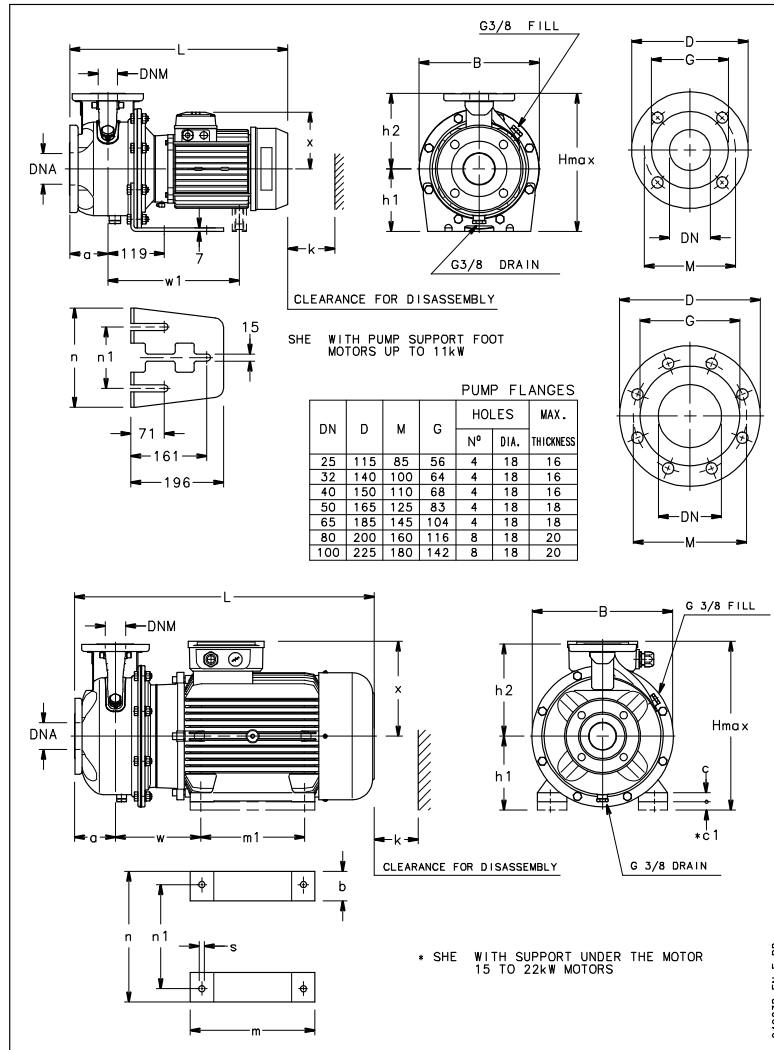
Dimensions

Company name
Contact
Phone number
e-mail address

Close coupled

PLM 132 B14 7,5 kW

Electrical and dimensional data refer to IE3 motor



Dimensions		[mm]	
a	100		
B	310		
DNA	80		
DNM	65		
h1	160		
h2	200		
Hmax	360		
k	130		
L	567		
n	245		
n1	130		
w1	305		
x	191		

Weight	
Total weight	80 kg

Connections			
Suction nozzle		Discharge nozzle	
DN 80	PN 16	DN 65	PN 16
EN1092-1		EN1092-1	
D	200	D	185
Dia. Holes	18	Dia. Holes	18
DN	80	DN	65
G	114	G	104
M	160	M	145
Max thickness	20	Max thickness	18

Dimensions and weight without obligation

Project	Xylect-20106709	Created by		Last update	12/16/2024
Block	ESHE 65-160/110/P25VSNA	Created on	12/16/2024		