

# ESHE 65-200/150/P26PSNA

## Technical data

Company name  
Contact  
Phone number  
e-mail address

Operating data						
1	Pumpe type	Single head pump		Fluid	Water, pure	
2	No. of pumps	1		Operating temperature t A	°F	39.2
3	Nominal flow	US g.p.m.	0	Max / Min Operating Temperature mech. Seal	°F	120 / -10
4	Nominal head	ft	0	pH-value at t A		7
5	Static head	ft	0	Density at t A	lb/ft <sup>3</sup>	62.4
6	Inlet pressure	psi	0	Kin. viscosity at t A	ft <sup>2</sup> /s	1.689E-5
7	Environmental temperature	°F	68	Vapor pressure at t A	psi	14.5
8	Available system NPSH	ft	0	Altitude		0

Pump data									
9	Lubrication	Standard, Grease lubrication [Std]							
10	Execution								
11	Design	Horizontal		Impeller Ø	Max.	inch	7 3/16		
12	Operating speed	3540 rpm	Stages		1	designed	inch	6 7/16	
13	Suction nozzle	DN 80	/	PN 16	/	EN1092-1	Min.	inch	6 7/16
14	Discharge nozzle	DN 65	/	PN 16	/	EN1092-1	Flow		Nominal US g.p.m.
15	Max. casing pressure	psi	174		Flow	Max-	US g.p.m.	507.7	
16	Max. working pressure	psi	75.1			Min-	US g.p.m.	240.5	
17	Impeller type	Radial impeller		Head	Nominal	ft			
18	Head H(Q=0)	ft	170		at Qmax	ft	97.3		
19	Max. shaft power	hp	20.6		at Qmin	ft	167.9		
20	Pump weight	kg			Shaft power	hp			
21	Total weight	lb	288.8		Efficiency	%			
					NPSH 3%	ft			

Materials						
22		Pump			Shaft Seal	
23	Pump body	Stainless steel / AISI 316L			Single mechanical seal, without shaft sleeve	
24	Impeller	Stainless steel / ASTMCF8M			Uniten 3K	VBVGG
25	SEAL HOUSING	Stainless steel / AISI 316L			Mechanical seal diameter	1 1/8 inch
26	Wear ring	Stainless steel / AISI 316L			1. Rotating ring	Ceramic
27	Counterwear ring	Stainless steel / AISI 316L			2. Stationary ring	Carbon graphite resin impregnated
28	Shaft extension	Stainless steel / AISI 316L			3. Secondary seal	Fluorine rubber (FKM)
29	Rigid shaft coupling	Stainless steel / AISI 316			4. Springs	CrNiMo - Steel
30	Impeller locknut and washer	Stainless steel / AISI 316			5. Others	CrNiMo - Steel
31	Tab	Stainless steel / AISI 316L			Gaskets of the pump	Fluorine rubber (FKM)
32	Fill/drain plugs	Stainless steel / AISI 316				
33						
34						
35						
36						
37						
38						
39						
40						
41						

Motor data					
Electrical and dimensional data refer to IE3 motor					
42	Manufacturer	Lowara PLM			
43	Specific design	IE3 3ph Flange Motor			
44	Type	PLM 160 B34 15 kW			
45	Rated power	20.115 hp	Rated current	47.6 A	
46	Nominal speed	3540 rpm	Rated voltage	220 V	
47	Frame size	160	Service factor	1	
48	Weight	lb	224.9	Degree of protection	IP55

Remarks					
49					
50					
50					
52					

Project	Xylect-20182923	Created by		Last update	1/12/2025
Block	ESHE 65-200/220/P26PSNA	Created on	1/12/2025		

# ESHE 65-200/150/P26PSNA

## Performance curve

Company name  
Contact  
Phone number  
e-mail address

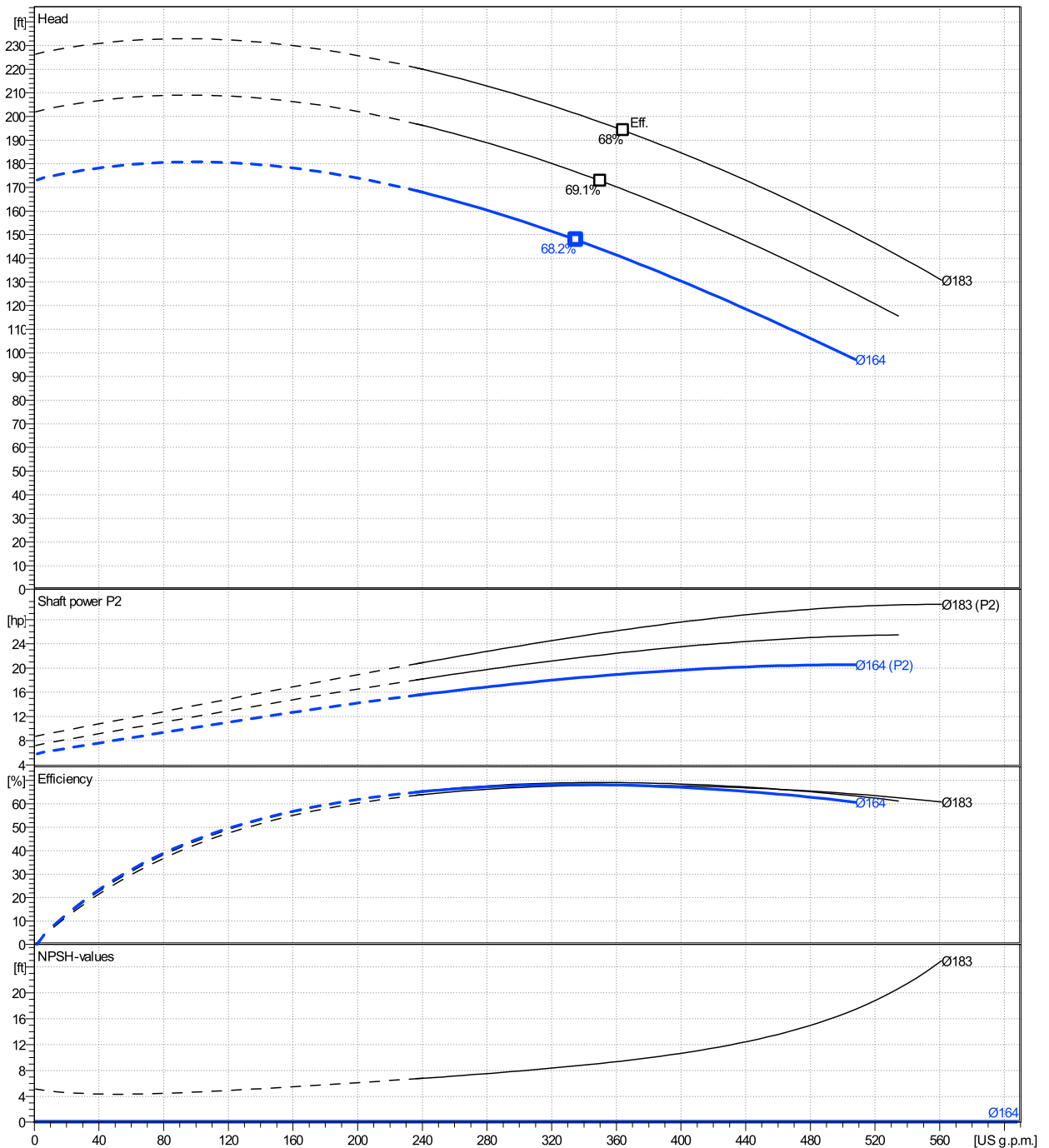
	Ø mm	Pump capacity Operating range η			Pump head H(Q=0) η		Shaft power P2 P2(Q=0) Max. η			Frequency Hz	
		Min. US g.p.m.	Max. US g.p.m.	Max. US g.p.m.	ft	ft	hp	hp	hp	rpm	
actual	6 7/16	240	508	335	173	148	20.6	18.4	60	3540	
Min.	0	/	/	335	173	148	/	18.4		0	
Max.	7 3/16	/	/	364	226	194	/	26.3		0	

**Power datas referred to:**

hydr. Performance acceptance acc. To EN ISO 9906 Class Grade 3B

Water, pure [100%] ; 39.2°F; 62.4lb/ft³; 1.69E-5ft²/s

MEI: N.A - according to Ecodesign Directive 2009/125/EC and Regulation (EU) No.547/2012



**ESHE 65-200/150/P26PSNA**

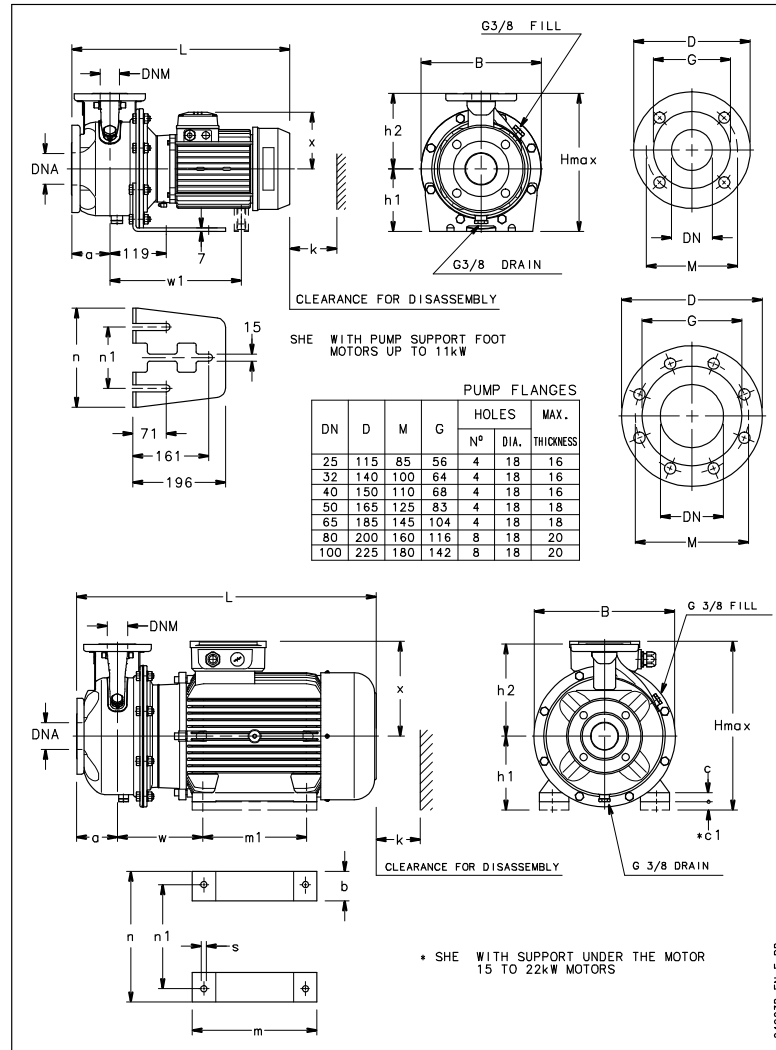
**Dimensions**

Company name  
Contact  
Phone number  
e-mail address

Close coupled

PLM 160 B34 15 kW

Electrical and dimensional data refer to IE3 motor



Dimensions		[ inch ]	
a	3 <sup>15</sup> / <sub>16</sub>		
B	12 <sup>3</sup> / <sub>16</sub>		
b	1 <sup>15</sup> / <sub>16</sub>		
c	3 <sup>1</sup> / <sub>16</sub>		
DNA	3 <sup>1</sup> / <sub>8</sub>		
DNM	2 <sup>9</sup> / <sub>16</sub>		
h1	7 <sup>1</sup> / <sub>16</sub>		
h2	8 <sup>7</sup> / <sub>8</sub>		
Hmax	16 <sup>9</sup> / <sub>16</sub>		
k	5 <sup>1</sup> / <sub>8</sub>		
L	27 <sup>5</sup> / <sub>16</sub>		
m	11 <sup>15</sup> / <sub>16</sub>		
m1	8 <sup>1</sup> / <sub>4</sub>		
n	11 <sup>15</sup> / <sub>16</sub>		
n1	10		
s	9 <sup>1</sup> / <sub>16</sub>		
w	8 <sup>3</sup> / <sub>16</sub>		
x	9 <sup>7</sup> / <sub>16</sub>		

Weight	
Total weight	131 kg

Connections	
<b>Suction nozzle</b>	<b>Discharge nozzle</b>
DN 80	DN 65
PN 16	PN 16
EN1092-1	EN1092-1
D	7 <sup>7</sup> / <sub>8</sub>
Dia. Holes	1 <sup>11</sup> / <sub>16</sub>
DN	3 <sup>1</sup> / <sub>8</sub>
G	4 <sup>1</sup> / <sub>2</sub>
M	6 <sup>5</sup> / <sub>16</sub>
Max thickness	1 <sup>13</sup> / <sub>16</sub>

**Dimensions and weight without obligation**

Project	Xlect-20182923	Created by		Last update	1/12/2025
Block	ESHE 65-200/220/P26PSNA	Created on	1/12/2025		