

ESHE 65-250/55/P46PSNA

Technical data

Company name
Contact
Phone number
e-mail address

Operating data						
1	Pumpe type	Single head pump		Fluid	Water, pure	
2	No. of pumps	1		Operating temperature t A	°F	39.2
3	Nominal flow	US g.p.m.	0	Max / Min Operating Temperature mech. Seal	°F	120 / -10
4	Nominal head	ft	0	pH-value at t A		7
5	Static head	ft	0	Density at t A	lb/ft ³	62.4
6	Inlet pressure	psi	0	Kin. viscosity at t A	ft ² /s	1.689E-5
7	Environmental temperature	°F	68	Vapor pressure at t A	psi	14.5
8	Available system NPSH	ft	0	Altitude		0

Pump data								
9	Lubrication	Standard, Grease lubrication [Std]						
10	Execution							
11	Design	Horizontal		Impeller Ø	Max.	inch	8 3/4	
12	Operating speed	1765 rpm	Stages		1	designed	inch	8 3/4
13	Suction nozzle	DN 80 /	PN 16 /		EN1092-1	Min.	inch	8 1/16
14	Discharge nozzle	DN 65 /	PN 16 /	EN1092-1	Flow	Nominal US g.p.m.		
15	Max. casing pressure	psi	174			Max-	US g.p.m.	346.4
16	Max. working pressure	psi	40.1		Min-	US g.p.m.	133.2	
17	Impeller type	Radial impeller		Head	Nominal	ft		
18	Head H(Q=0)	ft	92		at Qmax	ft	46.4	
19	Max. shaft power	hp	7.4		at Qmin	ft	84.7	
20	Pump weight	kg			Shaft power	hp		
21	Total weight	lb	213.8		Efficiency	%		
					NPSH 3%	ft		

Materials			
Pump		Shaft Seal	
22			
23	Pump body	Stainless steel / AISI 316L	
24	Impeller	Stainless steel / ASTMCF8M	
25	SEAL HOUSING	Stainless steel / AISI 316L	
26	Wear ring	Stainless steel / AISI 316L	
27	Counterwear ring	Stainless steel / AISI 316L	
28	Shaft extension	Stainless steel / AISI 316L	
29	Rigid shaft coupling	Stainless steel / AISI 316	
30	Impeller locknut and washer	Stainless steel / AISI 316	
31	Tab	Stainless steel / AISI 316L	
32	Fill/drain plugs	Stainless steel / AISI 316	
33			
34			
35			
36			
37			
38			
39			
40			
41			
23		Single mechanical seal, without shaft sleeve	
24		Uniten 3K	VBVGG
25		Mechanical seal diameter	1 5/16 inch
26		1. Rotating ring	Ceramic
27		2. Stationary ring	Carbon graphite resin impregnated
28		3. Secondary seal	Fluorine rubber (FKM)
29		4. Springs	CrNiMo - Steel
30		5. Others	CrNiMo - Steel
31		Gaskets of the pump	Fluorine rubber (FKM)

Motor data					
Electrical and dimensional data refer to IE3 motor					
42	Manufacturer	Lowara PLM			
43	Specific design	IE3 3ph Flange Motor			
44	Type	PLM 132 B14 5,5 kW			
45	Rated power	7.3756 hp	Rated current	20 A	
46	Nominal speed	1765 rpm	Rated voltage	220 V	
47	Frame size	132	Service factor	1	
48	Weight	lb	127.9	Degree of protection	IP55

Remarks	
49	
50	
50	
52	

ESHE 65-250/55/P46PSNA

Performance curve

Company name
Contact
Phone number
e-mail address

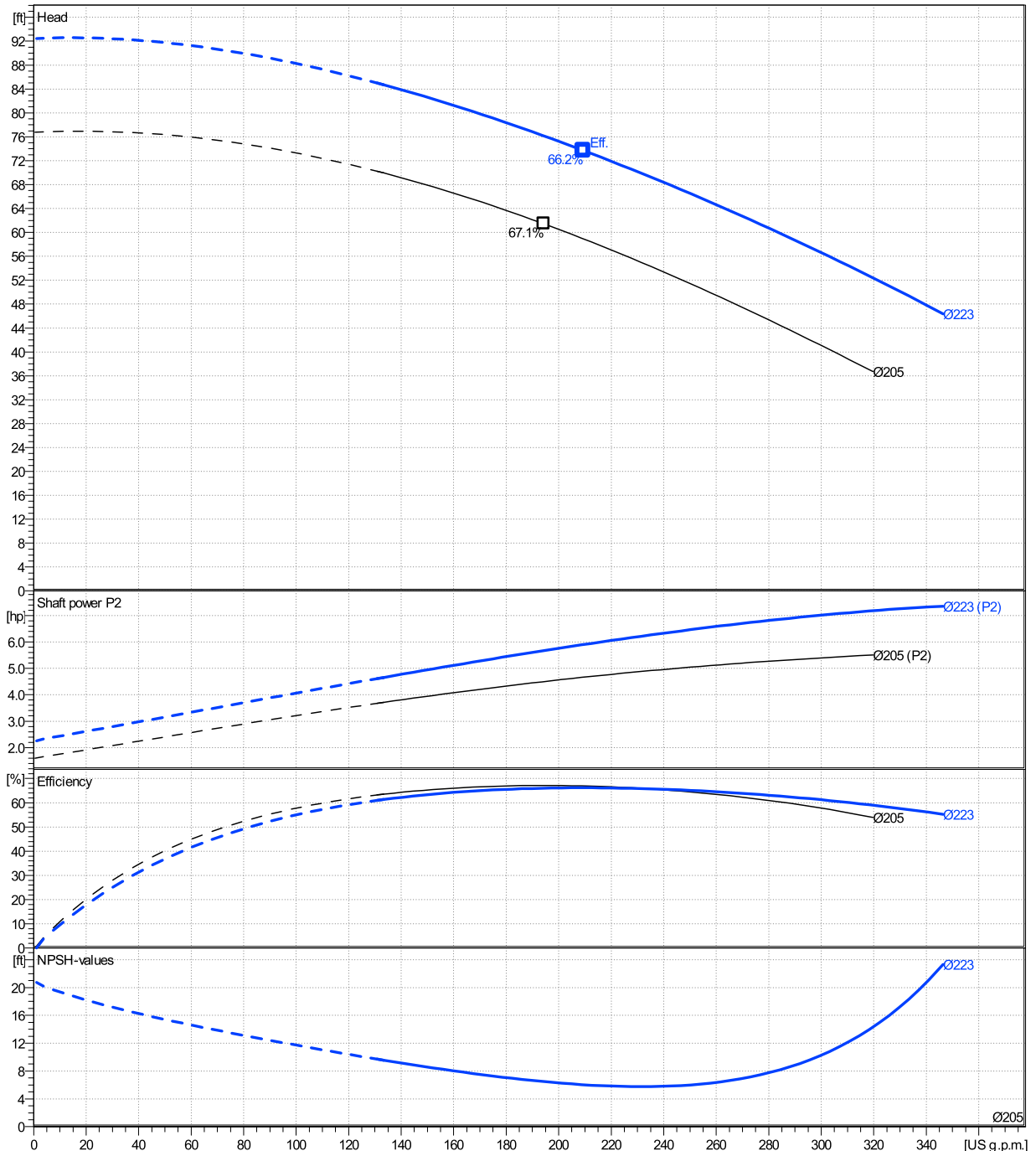
	Ø mm	Pump capacity Operating range η			Pump head η		Shaft power P2 η			Frequency	Hz	
		Min. US g.p.m.	Max. US g.p.m.	Max. US g.p.m.	H(Q=0) ft	Max. ft	P2(Q=0) hp	Max. hp	Max. hp	Operating speed	rpm	
actual	8 3/4	133	346	209	92.4	73.7		7.36	5.9	Nominal flow	US g.p.m.	0
Min.	0	/	/	194	76.8	61.4		/	4.5	Nominal head	ft	0
Max.	8 3/4	/	/	209	92.4	73.7		/	5.9	Inlet pressure	psi	0
										Static head	ft	0

Power datas referred to:

hydr. Performance acceptance acc. To EN ISO 9906 Class Grade 3B

Water, pure [100%] ; 39.2°F; 62.4lb/ft³; 1.69E-5ft²/s

MEI: N.A - according to Ecodesign Directive 2009/125/EC and Regulation (EU) No.547/2012



ESHE 65-250/55/P46PSNA

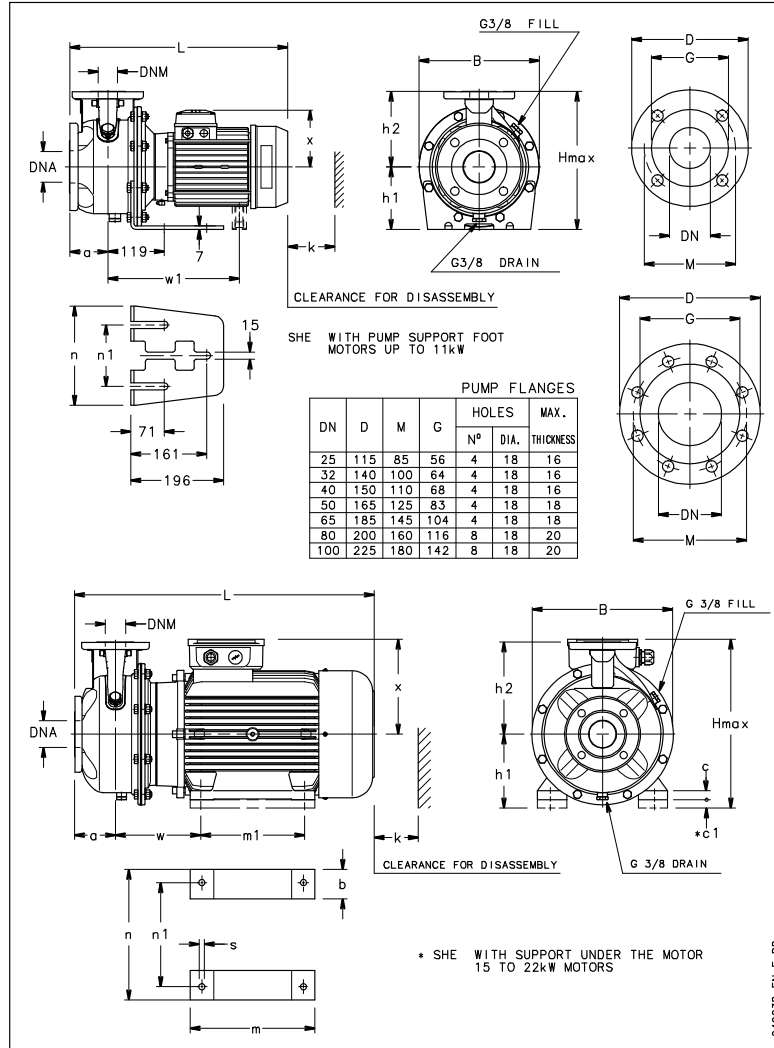
Dimensions

Company name
Contact
Phone number
e-mail address

Close coupled

PLM 132 B14 5,5 kW

Electrical and dimensional data refer to IE3 motor



Dimensions [inch]	
a	3 ¹⁵ / ₁₆
B	13 ⁹ / ₁₆
DNA	3 ¹ / ₈
DNM	2 ⁹ / ₁₆
h1	7 ⁷ / ₈
h2	9 ¹³ / ₁₆
Hmax	17 ¹¹ / ₁₆
k	5 ¹ / ₂
L	23 ¹³ / ₁₆
n	10 ⁷ / ₁₆
n1	5 ¹ / ₈
w1	13 ¹ / ₂
x	7 ¹ / ₂

Weight	
Total weight	97 kg

Connections	
Suction nozzle	Discharge nozzle
DN 80	DN 65
PN 16	PN 16
EN1092-1	EN1092-1
D	7 ⁷ / ₈
Dia. Holes	7 ⁹ / ₁₆
DN	2 ⁹ / ₁₆
G	4 ¹ / ₂
M	5 ¹¹ / ₁₆
Max thickness	1 ¹³ / ₁₆

Dimensions and weight without obligation

Project Xlect-20182923
Block ESHE 65-250/55/P46PSNA

Created by
Created on 1/12/2025

Last update 1/12/2025