

ESHE 80-160/185/P26PSNA

Technical data

Company name
Contact
Phone number
e-mail address

Operating data						
1	Pumpe type	Single head pump		Fluid	Water, pure	
2	No. of pumps	1		Operating temperature t A	°F	39.2
3	Nominal flow	US g.p.m.	0	Max / Min Operating Temperature mech. Seal	°F	120 / -10
4	Nominal head	ft	0	pH-value at t A		7
5	Static head	ft	0	Density at t A	lb/ft ³	62.4
6	Inlet pressure	psi	0	Kin. viscosity at t A	ft ² /s	1.689E-5
7	Environmental temperature	°F	68	Vapor pressure at t A	psi	14.5
8	Available system NPSH	ft	0	Altitude		0

Pump data										
9	Lubrication	Standard, Grease lubrication [Std]								
10	Execution									
11	Design	Horizontal		Impeller Ø	Max.	inch	6 7/16			
12	Operating speed	3540 rpm	Stages		1	designed	inch	6 7/16		
13	Suction nozzle	DN 100	/	PN 16	/	EN1092-1	Min.	inch	6 1/8	
14	Discharge nozzle	DN 80	/	PN 16	/	EN1092-1	Nominal US g.p.m.			
15	Max. casing pressure	psi	174		Flow	Max-	US g.p.m.	855		
16	Max. working pressure	psi	63			Min-	US g.p.m.	320.6		
17	Impeller type	Radial impeller			Head	Nominal	ft			
18	Head H(Q=0)	ft	150			at Qmax	ft			77.9
19	Max. shaft power	hp	25.7			at Qmin	ft			145.1
20	Pump weight	kg			Shaft power	hp				
21	Total weight	lb	306.4		Efficiency	%				
					NPSH 3%	ft				

Materials						
22		Pump			Shaft Seal	
23	Pump body	Stainless steel / AISI 316L			Single mechanical seal, without shaft sleeve	
24	Impeller	Stainless steel / ASTMCF8M			Uniten 3K	VBVGG
25	SEAL HOUSING	Stainless steel / AISI 316L			Mechanical seal diameter	1 1/8 inch
26	Wear ring	Stainless steel / AISI 316L			1. Rotating ring	Ceramic
27	Counterwear ring	Stainless steel / AISI 316L			2. Stationary ring	Carbon graphite resin impregnated
28	Shaft extension	Stainless steel / AISI 316L			3. Secondary seal	Fluorine rubber (FKM)
29	Rigid shaft coupling	Stainless steel / AISI 316			4. Springs	CrNiMo - Steel
30	Impeller locknut and washer	Stainless steel / AISI 316			5. Others	CrNiMo - Steel
31	Tab	Stainless steel / AISI 316L			Gaskets of the pump	Fluorine rubber (FKM)
32	Fill/drain plugs	Stainless steel / AISI 316				
33						
34						
35						
36						
37						
38						
39						
40						
41						

Motor data					
Electrical and dimensional data refer to IE3 motor					
42	Manufacturer	Lowara PLM			
43	Specific design	IE3 3ph Flange Motor			
44	Type	PLM 160 B34 18,5 kW			
45	Rated power	24.809 hp	Rated current	58.3 A	
46	Nominal speed	3540 rpm	Rated voltage	220 V	
47	Frame size	160	Service factor	1	
48	Weight	lb	257.9	Degree of protection	IP55

Remarks					
49					
50					
50					
52					

ESHE 80-160/185/P26PSNA

Performance curve

Company name
Contact
Phone number
e-mail address

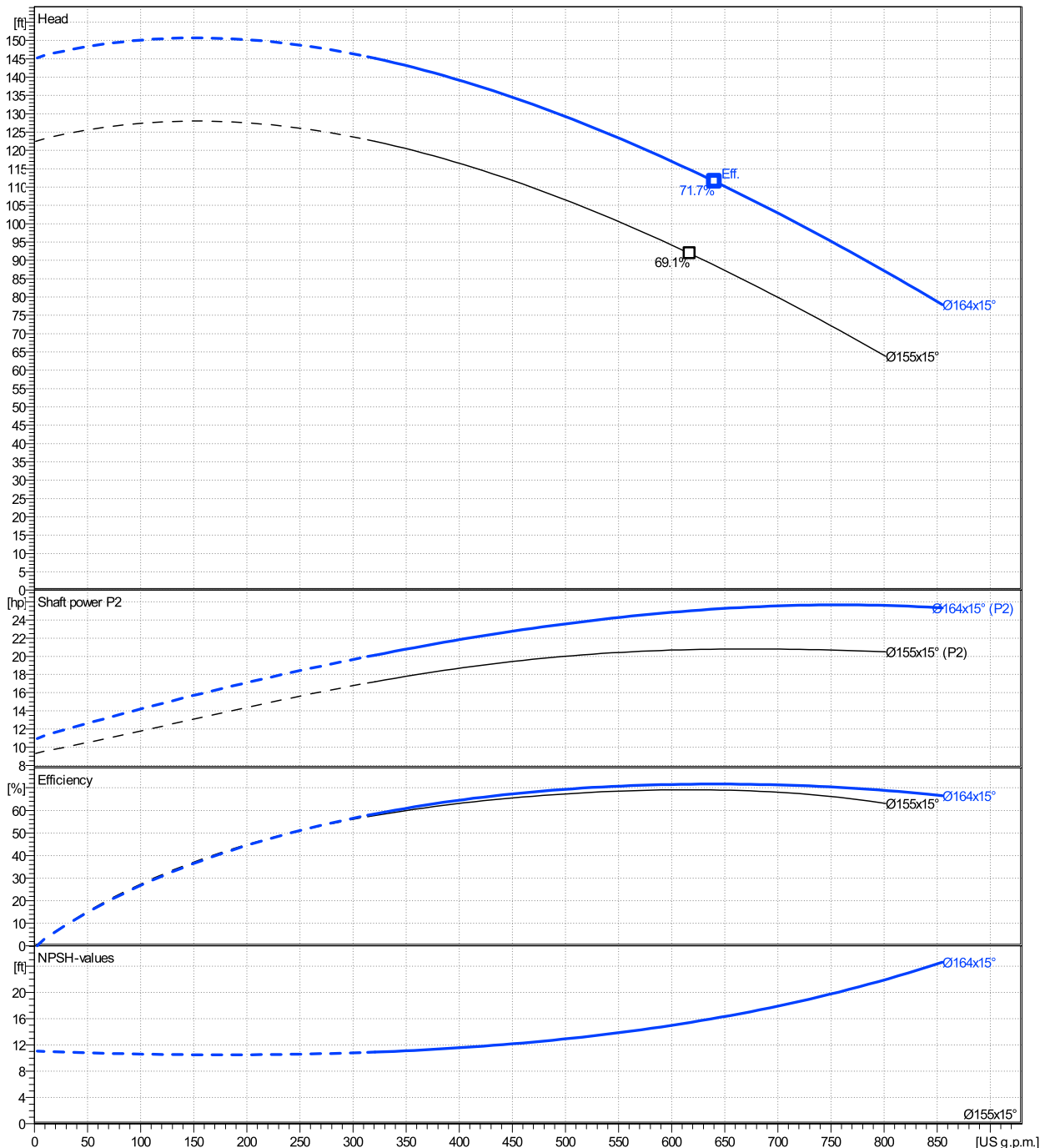
	Ø mm	Pump capacity Operating range η			Pump head H(Q=0) η		Shaft power P2 P2(Q=0) η			Frequency	Hz	
		Min. US g.p.m.	Max. US g.p.m.	Max. US g.p.m.	H(Q=0) ft	η ft	P2(Q=0) hp	Max. hp	η hp	Operating speed	rpm	
actual	6 7/16	321	855	641	145	112		25.7	25.2	Nominal flow	US g.p.m.	0
Min.	0	/	/	617	122	91.9		/	20.7	Nominal head	ft	0
Max.	6 7/16	/	/	641	145	112		/	25.2	Inlet pressure	psi	0
										Static head	ft	0

Power datas referred to:

hydr. Performance acceptance acc. To EN ISO 9906 Class Grade 3B

Water, pure [100%] ; 39.2°F; 62.4lb/ft³; 1.69E-5ft²/s

MEI: N.A - according to Ecodesign Directive 2009/125/EC and Regulation (EU) No.547/2012



Project Block	Xylect-20182923 ESHE 80-160/185/P26PSNA	Created by		Last update	1/12/2025
		Created on	1/12/2025		

ESHE 80-160/185/P26PSNA

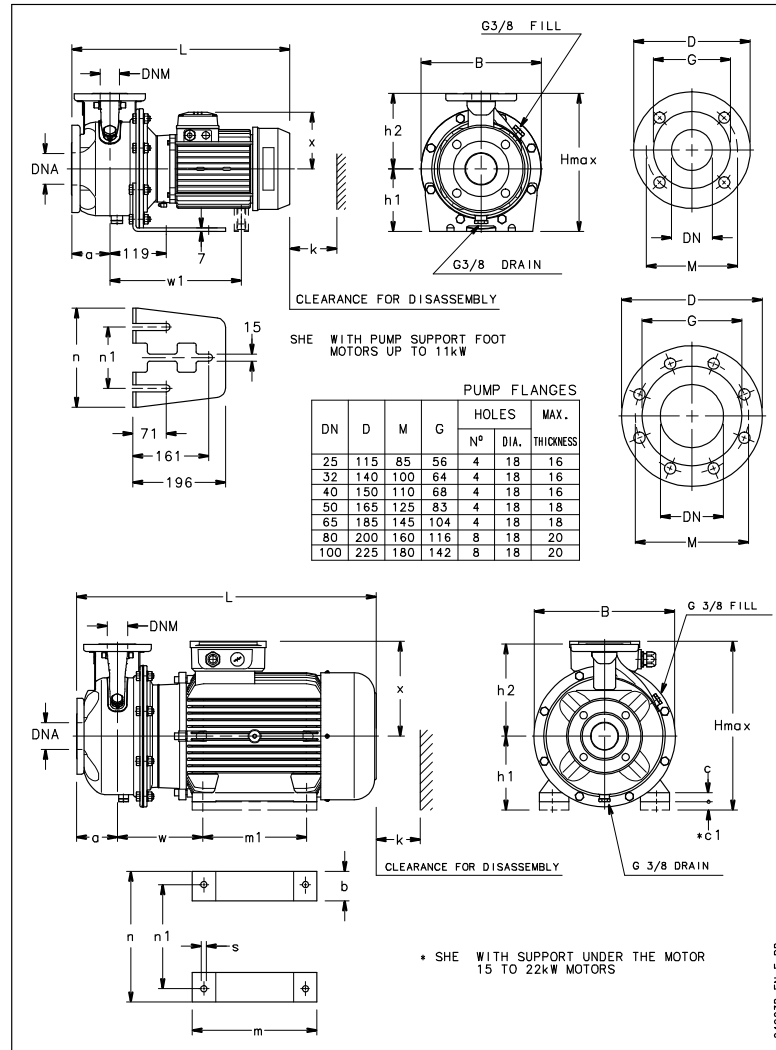
Dimensions

Company name
Contact
Phone number
e-mail address

Close coupled

PLM 160 B34 18,5 kW

Electrical and dimensional data refer to IE3 motor



Dimensions		[inch]	
a	4 ¹⁵ / ₁₆		
B	13 ⁹ / ₁₆		
b	1 ¹⁵ / ₁₆		
c	3 ¹ / ₁₆		
DNA	3 ¹⁵ / ₁₆		
DNM	3 ¹ / ₈		
h1	7 ¹ / ₁₆		
h2	8 ⁷ / ₈		
Hmax	16 ⁹ / ₁₆		
k	6 ⁵ / ₁₆		
L	28 ⁵ / ₁₆		
m	11 ¹⁵ / ₁₆		
m1	10		
n	11 ¹⁵ / ₁₆		
n1	10		
s	9 ¹ / ₁₆		
w	8 ³ / ₁₆		
x	9 ⁷ / ₁₆		

Weight	
Total weight	139 kg

Connections	
Suction nozzle	Discharge nozzle
DN 100	DN 80
PN 16	PN 16
EN1092-1	EN1092-1
D	7 ⁷ / ₈
Dia. Holes	4 ¹ / ₁₆
DN	3 ¹⁵ / ₁₆
G	4 ¹ / ₂
M	6 ⁵ / ₁₆
Max thickness	1 ³ / ₁₆

Dimensions and weight without obligation

Project	Xylect-20182923	Created by		Last update	1/12/2025
Block	ESHE 80-160/185/P26PSNA	Created on	1/12/2025		