

ESHE 80-200/220/P25VSNA

Technical data

Company name
Contact
Phone number
e-mail address

Operating data					
1	Pumpe type	Single head pump		Fluid	Water, pure
2	No. of pumps	1		Operating temperature t A	°C 4
3	Nominal flow	m³/h	0	Max / Min Operating Temperature mech. Seal	°C 120 / -10
4	Nominal head	m	0	pH-value at t A	7
5	Static head	m	0	Density at t A	kg/m³ 1000
6	Inlet pressure	kPa	0	Kin. viscosity at t A	mm²/s 1.569
7	Environmental temperature	°C	20	Vapor pressure at t A	kPa 100
8	Available system NPSH	m	0	Altitude	0

Pump data					
9	Lubrication	Standard, Grease lubrication [Std]			
10	Execution				
11	Design	Horizontal		Impeller Ø	Max. mm 198
12	Operating speed	2950 rpm	Stages 1		designed mm 198
13	Suction nozzle	DN 100 /	PN 16 /	EN1092-1	Min. mm 198
14	Discharge nozzle	DN 80 /	PN 16 /	EN1092-1	Nominal m³/h
15	Max. casing pressure	kPa	1200	Flow	Max- m³/h 219.7
16	Max. working pressure	kPa	542.6		Min- m³/h 91.6
17	Impeller type	Radial impeller		Head	Nominal m
18	Head H(Q=0)	m	55		at Qmax m 28.2
19	Max. shaft power	kW	23.7	Shaft power	kW
20	Pump weight	kg		Efficiency	%
21	Total weight	kg	156.0	NPSH 3%	m

Materials					
22		Pump		Shaft Seal	
23	Pump body	Stainless steel / AISI 316L		Single mechanical seal, without shaft sleeve	
24	Impeller	Stainless steel / ASTMCF8M		Uniten 3K	VBVGG
25	SEAL HOUSING	Stainless steel / AISI 316L		Mechanical seal diameter	
26	Wear ring	Stainless steel / AISI 316L		1. Rotating ring	Ceramic
27	Counterwear ring	Stainless steel / AISI 316L		2. Stationary ring	Carbon graphite resin impregnated
28	Shaft extension	Stainless steel / AISI 316L		3. Secondary seal	Fluorine rubber (FKM)
29	Rigid shaft coupling	Stainless steel / AISI 316		4. Springs	CrNiMo - Steel
30	Impeller locknut and washer	Stainless steel / AISI 316		5. Others	CrNiMo - Steel
31	Tab	Stainless steel / AISI 316L		Gaskets of the pump	
32	Fill/drain plugs	Stainless steel / AISI 316		Fluorine rubber (FKM)	
33					
34					
35					
36					
37					
38					
39					
40					
41					

Motor data					
Electrical and dimensional data refer to IE3 motor					
42	Manufacturer	Lowara PLM			
43	Specific design	IE3 3ph Flange Motor			
44	Type	PLM 160 B34 22 kW			
45	Rated power	22 kW	Rated current	42.2 A	
46	Nominal speed	2950 rpm	Rated voltage	400 V	
47	Frame size	160	Service factor	1	
48	Weight	kg 117.0	Degree of protection	IP55	

Remarks					
49					
50					
50					
52					

ESHE 80-200/220/P25VSNA

Performance curve

Company name
Contact
Phone number
e-mail address

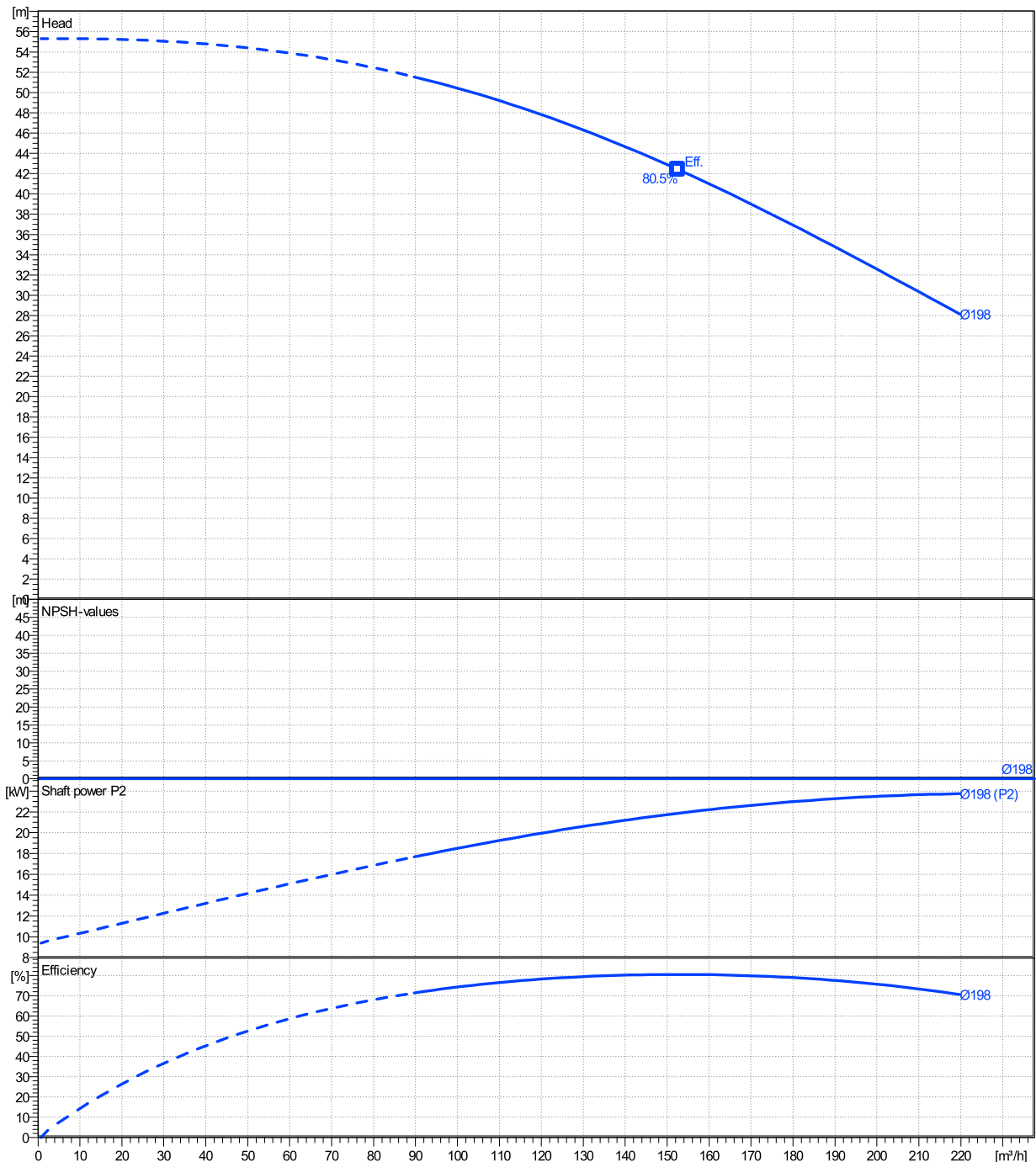
	Ø mm	Pump capacity			Pump head		Shaft power P2			Frequency		
		Min. m³/h	Max. m³/h	η Max. m³/h	H(Q=0) m	η Max. m	P2(Q=0) kW	Max. kW	η Max. kW	Hz		
actual	198	91.6	220	153	55.3	42.4		23.7	21.9	Operating speed	rpm	2950
Min.	0	/	/	153	55.3	42.4		/	21.9	Nominal flow	m³/h	0
Max.	198	/	/	153	55.3	42.4		/	21.9	Nominal head	m	0
										Inlet pressure	kPa	0
										Static head	m	0

Power datas referred to:

hydr. Performance acceptance acc. To EN ISO 9906 Class Grade 3B

Water, pure [100%] ; 4°C; 1000kg/m³; 1.57mm²/s

MEI: N.A - according to Ecodesign Directive 2009/125/EC and Regulation (EU) No.547/2012



Project Block	Xylect-20106422 ESHE 80-200/220/P25VSNA	Created by		Last update	12/16/2024
		Created on	12/16/2024		

ESHE 80-200/220/P25VSNA

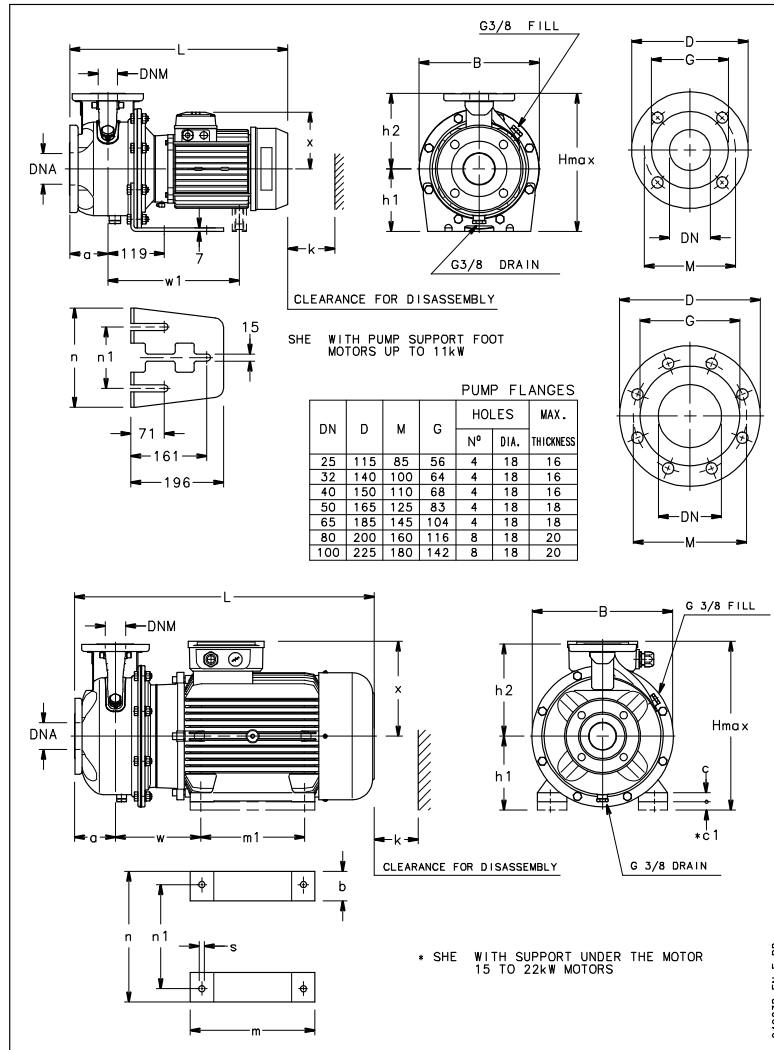
Dimensions

Company name
Contact
Phone number
e-mail address

Close coupled

PLM 160 B34 22 kW

Electrical and dimensional data refer to IE3 motor



Dimensions [mm]

a	125
B	345
b	49
c	5
DNA	100
DNM	80
h1	180
h2	250
Hmax	430
k	160
L	719
m	304
m1	254
n	304
n1	254
s	15
w	208
x	240

Weight

Total weight	156 kg
---------------------	---------------

Connections

Suction nozzle		Discharge nozzle	
DN 100		DN 80	
PN 16		PN 16	
EN1092-1		EN1092-1	
D	225	D	200
Dia. Holes	18	Dia. Holes	18
DN	100	DN	80
G	142	G	114
M	180	M	160
Max thickness	20	Max thickness	20

Dimensions and weight without obligation

Project	Xylect-20106422	Created by		Last update	12/16/2024
Block	ESHE 80-200/220/P25VSNA	Created on	12/16/2024		