

ESHF 32-160/15/P26PSSA

Performance curve

Company name
Contact
Phone number
e-mail address

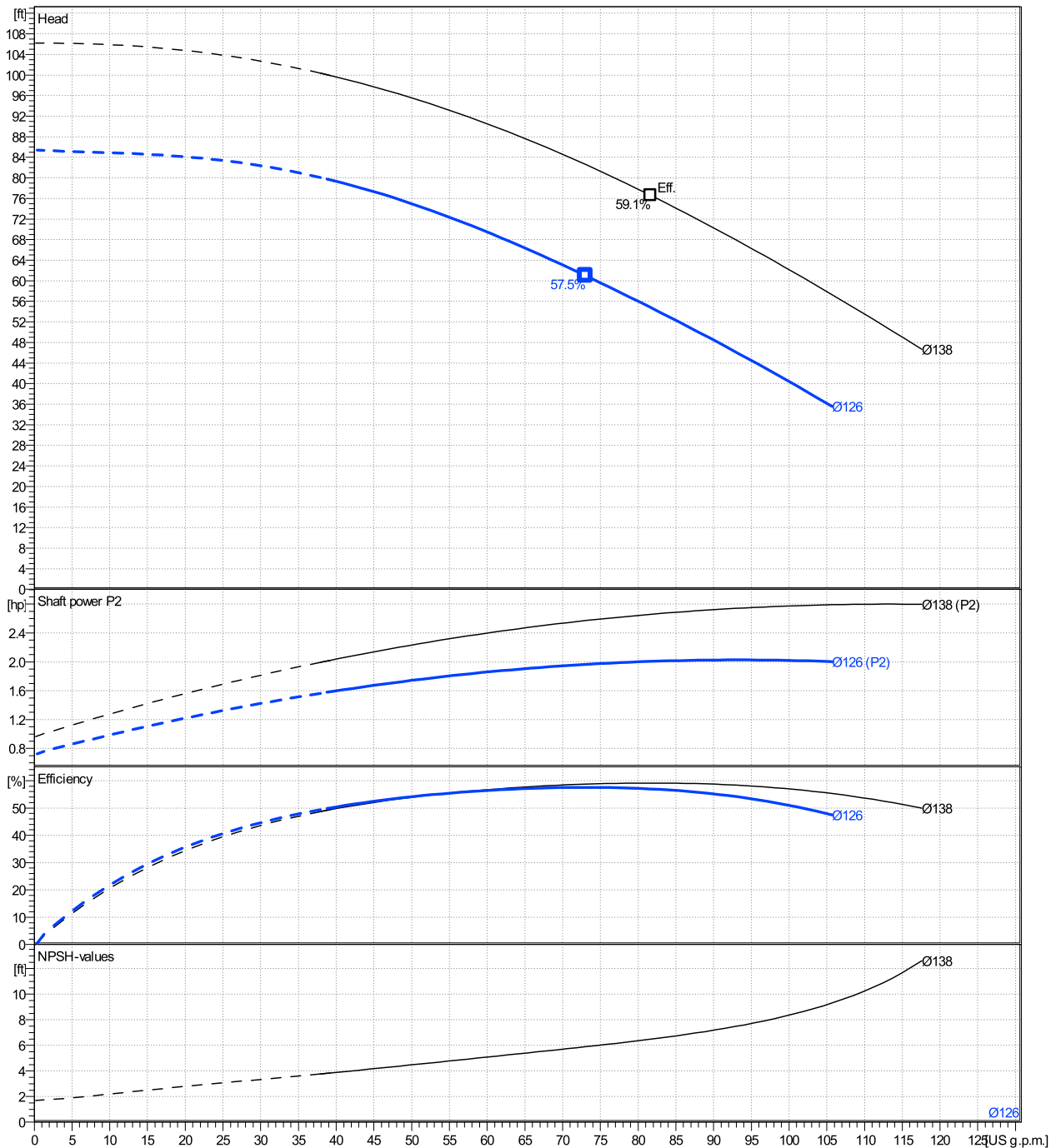
	Ø mm	Pump capacity Operating range η			Pump head H(Q=0) η		Shaft power P2 P2(Q=0) Max. η			Frequency Hz	
		Min. US g.p.m.	Max. US g.p.m.	Max. US g.p.m.	H(Q=0) ft	η ft	Max. hp	η hp	Max. rpm	Hz	
actual	4 15/16	39.6	106	73	85.4	61	2.03	1.96	Operating speed	3500	
Min.	0	/	/	73	85.4	61	/	1.96	Nominal flow	0	
Max.	5 7/16	/	/	81.7	106	76.6	/	2.66	Nominal head	0	
									Inlet pressure	0	
									Static head	0	

Power datas referred to:

hydr. Performance acceptance acc. To EN ISO 9906 Class Grade 3B

Water, pure [100%] ; 39.2°F; 62.4lb/ft³; 1.69E-5ft²/s

MEI: N.A - according to Ecodesign Directive 2009/125/EC and Regulation (EU) No.547/2012



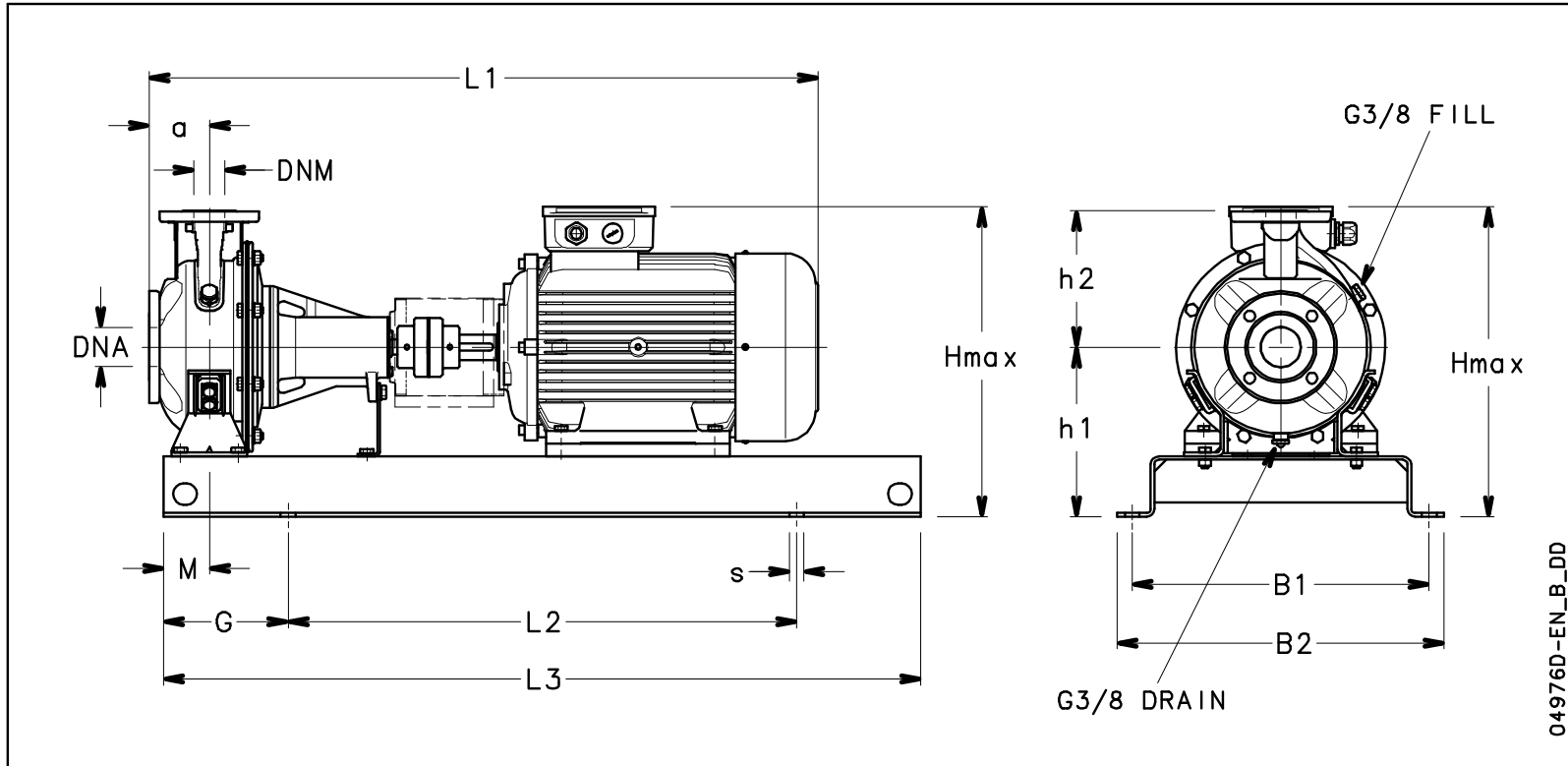
ESHF 32-160/15/P26PSSA

Dimensions

Company name
Contact
Phone number
e-mail address

Frame mounted
Unit with standard coupling
PLM 90 B3 1,5 kW

Electrical and dimensional data refer to IE3 motor



Dimensions		[inch]	
a	3 ¹ / ₈		
B1	13 ³ / ₄		
B2	15 ³ / ₈		
Coupling Type	26		
DNA	1 ¹⁵ / ₁₆		
DNM	1 ¹ / ₄		
G	5 ⁷ / ₈		
h1	9 ¹ / ₈		
h2	6 ⁵ / ₁₆		
Hmax	15 ⁷ / ₁₆		
L1	31 ³ / ₁₆		
L2	23 ⁹ / ₈		
L3	35 ⁷ / ₁₆		
M	2 ³ / ₈		
Sscrews	M16		

Weight	
Total weight	73 kg

Connections	
Suction nozzle	Discharge nozzle
DN 50	DN 32
PN 16	PN 16
EN1092-1	EN1092-1
D	5 ¹ / ₂
Dia. Holes	1 ¹ / ₄
DN	1 ¹⁵ / ₁₆
G	2 ¹ / ₂
M	3 ¹⁵ / ₁₆
Max thickness	1 ¹ / ₈

Dimensions and weight without obligation

Project	Xylect-20185149	Created by		Last update	1/13/2025
Block	ESHF 32-160/22/P26PSSA	Created on	1/13/2025		