

ESHF 40-250/11/P45RSSA

Technical data

Company name
Contact
Phone number
e-mail address

| Operating data | | | | | | |
|----------------|---------------------------|-------------------|----|--|--------------------|-----------|
| 1 | Pumpe type | Single head pump | | Fluid | Water, pure | |
| 2 | No. of pumps | 1 | | Operating temperature t A | °C | 4 |
| 3 | Nominal flow | m ³ /h | 0 | Max / Min Operating Temperature mech. Seal | °C | 120 / -10 |
| 4 | Nominal head | m | 0 | pH-value at t A | | 7 |
| 5 | Static head | m | 0 | Density at t A | kg/m ³ | 1000 |
| 6 | Inlet pressure | kPa | 0 | Kin. viscosity at t A | mm ² /s | 1.569 |
| 7 | Environmental temperature | °C | 20 | Vapor pressure at t A | kPa | 100 |
| 8 | Available system NPSH | m | 0 | Altitude | | 0 |

| Pump data | | | | | | |
|-----------|-----------------------|------------------------------------|---------|----------|--|-----------------|
| 9 | Lubrication | Standard, Grease lubrication [Std] | | | | |
| 10 | Execution | Unit with standard coupling | | | | |
| 11 | Design | Horizontal | | | | Impeller Ø |
| 12 | Operating speed | 1450 rpm | Stages | 1 | | Max. mm 251 |
| 13 | Suction nozzle | DN 65 / | PN 16 / | EN1092-1 | | designed mm 218 |
| 14 | Discharge nozzle | DN 40 / | PN 16 / | EN1092-1 | | Min. mm 218 |
| 15 | Max. casing pressure | kPa | 1200 | | | Flow |
| 16 | Max. working pressure | kPa | 153.5 | | | |
| 17 | Impeller type | Radial impeller | | | | Head |
| 18 | Head H(Q=0) | m | 16 | | | |
| 19 | Max. shaft power | kW | 1.1 | | | at Qmin m 14.6 |
| 20 | Pump weight | kg | | | | Shaft power kW |
| 21 | Total weight | kg | 105.0 | | | Efficiency % |
| | | | | | | NPSH 3% m |

| Materials | | | | | | |
|-----------|-----------------------------|-----------------------------|--|--|--|-----------------------------------|
| 22 | | Pump | | | Shaft Seal | |
| 23 | Pump body | Stainless steel / AISI 316L | | | Single mechanical seal, without shaft sleeve | |
| 24 | Impeller | Stainless steel / AISI 316L | | | Uniten 3K | VBVGG |
| 25 | SEAL HOUSING | Stainless steel / AISI 316L | | | Mechanical seal diameter 22 mm | |
| 26 | Wear ring | Stainless steel / AISI 316L | | | 1. Rotating ring | Ceramic |
| 27 | Counterwear ring | Stainless steel / AISI 316L | | | 2. Stationary ring | Carbon graphite resin impregnated |
| 28 | Shaft extension | Stainless steel / AISI 316L | | | 3. Secondary seal | Fluorine rubber (FKM) |
| 29 | Impeller locknut and washer | Stainless steel / AISI 316 | | | 4. Springs | CrNiMo - Steel |
| 30 | Tab | Stainless steel / AISI 316L | | | 5. Others | CrNiMo - Steel |
| 31 | Fill/drain plugs | Stainless steel / AISI 316 | | | Gaskets of the pump | Fluorine rubber (FKM) |
| 32 | | | | | | |
| 33 | | | | | | |
| 34 | | | | | | |
| 35 | | | | | | |
| 36 | | | | | | |
| 37 | | | | | | |
| 38 | | | | | | |
| 39 | | | | | | |
| 40 | | | | | | |
| 41 | | | | | | |

| Motor data | | | | Coupling | | | |
|--|-----------------|--|----------------|----------------------|----------------|---------------------|----------------|
| Electrical and dimensional data refer to IE3 motor | | | | | | | |
| 42 | Manufacturer | Lowara | | Manufacturer | Not applicable | | |
| 43 | Specific design | IE3 3ph Surface Motor - Premium Efficiency | | Series | Not applicable | | |
| 44 | Type | PLM 90 B3 1,1 kW | | Shaft diameter | Pump | 0 mm | Motor 24 mm |
| 45 | Rated power | 1.1 kW | Rated current | 2.65 A | Frame size | Not applicable | |
| 46 | Nominal speed | 1435 rpm | Rated voltage | 400 V | Spacer length | mm | Not applicable |
| 47 | Frame size | 90 | Service factor | 1 | Weight | kg | |
| 48 | Weight | kg | 16.6 | Degree of protection | IP55 | Coupling protection | Not applicable |

| Base plate | | | Remarks | | |
|------------|--------|----------------|---------|--|--|
| 49 | Name | Not applicable | | | |
| 50 | Weight | kg | | | |

ESHF 40-250/11/P45RSSA

Performance curve

Company name
Contact
Phone number
e-mail address

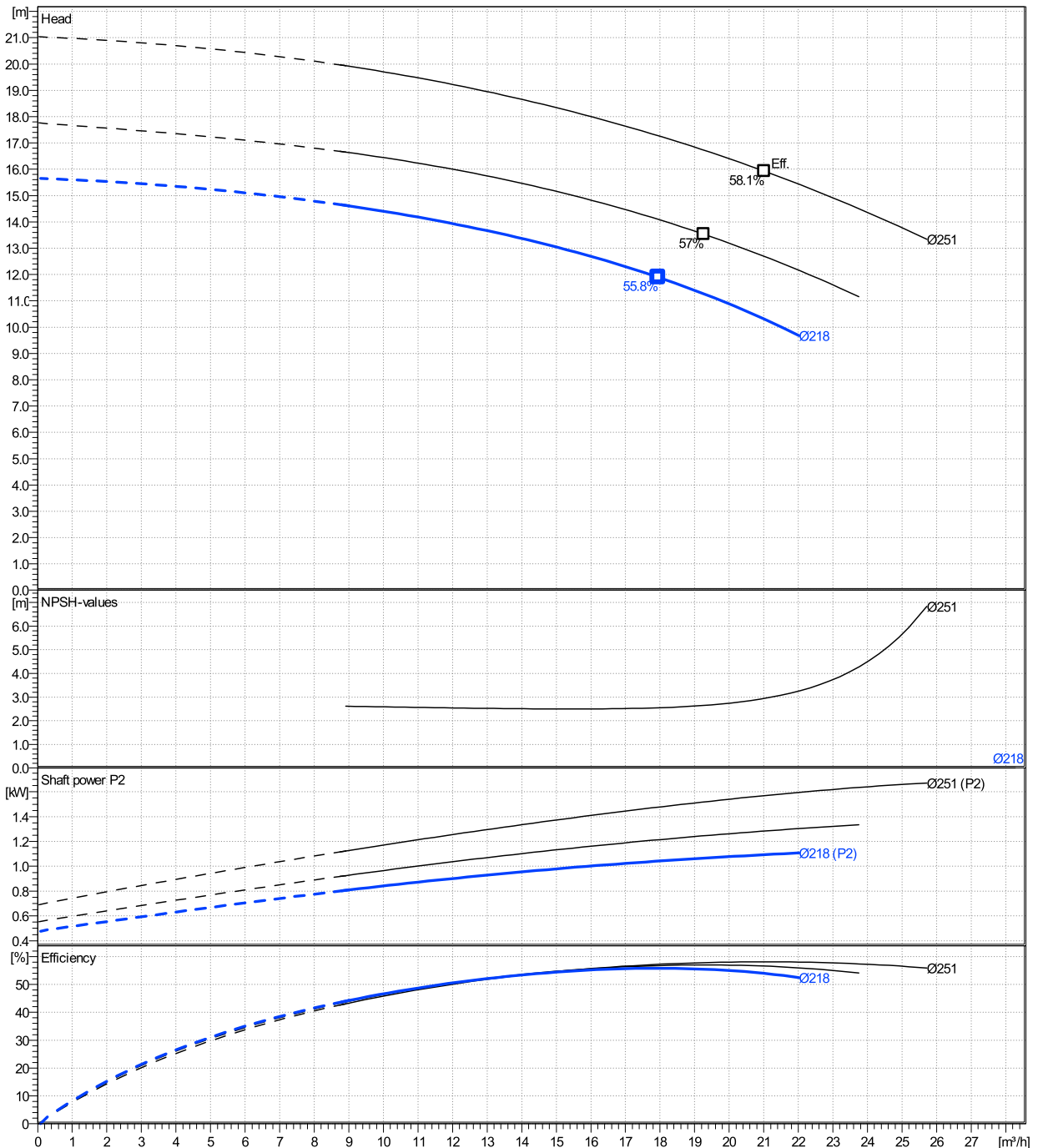
| | Ø mm | Pump capacity | | | Pump head | | Shaft power P2 | | | Frequency | Hz | 50 |
|--------|---------|------------------------------|-----------|----------------|-------------|-------------|----------------|---------|--------------|-----------------|------|------|
| | | Operating range Min. m³/h | Max. m³/h | η Max. m³/h | H(Q=0) m | η Max. m | P2(Q=0) kW | Max. kW | η Max. kW | Operating speed | rpm | 1450 |
| actual | 218 | 9 | 22 | 17.9 | 15.6 | 11.9 | | 1.11 | 1.04 | Nominal flow | m³/h | 0 |
| Min. | 0 | / | / | 17.9 | 15.6 | 11.9 | | / | 1.04 | Nominal head | m | 0 |
| Max. | 251 | / | / | 21 | 21 | 15.9 | | / | 1.57 | Inlet pressure | kPa | 0 |
| | | | | | | | | | | Static head | m | 0 |

Power datas referred to:

hydr. Performance acceptance acc. To EN ISO 9906 Class Grade 3B

Water, pure [100%] ; 4°C; 1000kg/m³; 1.57mm²/s

MEI: N.A - according to Ecodesign Directive 2009/125/EC and Regulation (EU) No.547/2012



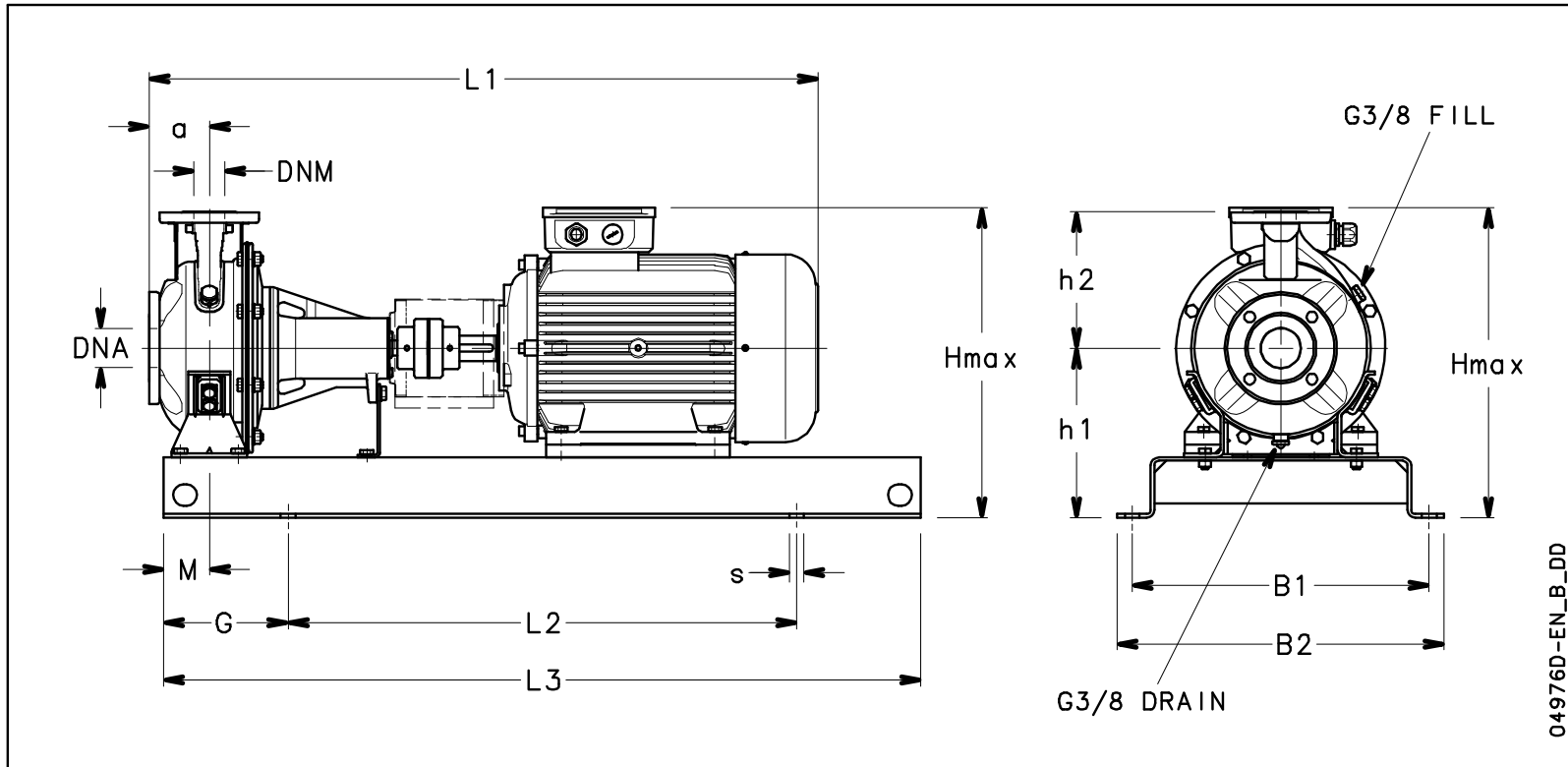
ESHF 40-250/11/P45RSSA

Dimensions

Company name
Contact
Phone number
e-mail address

Frame mounted
Unit with standard coupling
PLM 90 B3 1,1 kW

Electrical and dimensional data refer to IE3 motor



Dimensions [mm]

| | |
|---------------|-------|
| a | 100 |
| B1 | 400 |
| B2 | 450 |
| Coupling Type | PN 16 |
| DNA | 65 |
| DNM | 40 |
| G | 170 |
| h1 | 280 |
| h2 | 225 |
| Hmax | 505 |
| L1 | 811 |
| L2 | 660 |
| L3 | 1000 |
| M | 75 |
| Sscrews | M20 |

Weight

| | |
|--------------|--------|
| Total weight | 105 kg |
|--------------|--------|

Connections

| Suction nozzle | | Discharge nozzle | |
|----------------|-----|------------------|-----|
| DN 65 | | DN 40 | |
| PN 16 | | PN 16 | |
| EN1092-1 | | EN1092-1 | |
| D | 185 | D | 150 |
| Dia. Holes | 18 | Dia. Holes | 18 |
| DN | 65 | DN | 40 |
| G | 104 | G | 68 |
| M | 145 | M | 110 |
| Max thickness | 16 | Max thickness | 16 |

Dimensions and weight without obligation

| | | | | | |
|---------|-------------------------|------------|------------|-------------|------------|
| Project | Xylect-20123150 | Created by | | Last update | 12/19/2024 |
| Block | ESHF 40-250/150/P25VSSA | Created on | 12/19/2024 | | |