

ESHF 50-250/150/P25VSSA

Technical data

Company name
Contact
Phone number
e-mail address

Operating data						
1	Pumpe type	Single head pump		Fluid	Water, pure	
2	No. of pumps	1		Operating temperature t A	°C	4
3	Nominal flow	m ³ /h	0	Max / Min Operating Temperature mech. Seal	°C	120 / -10
4	Nominal head	m	0	pH-value at t A		7
5	Static head	m	0	Density at t A	kg/m ³	1000
6	Inlet pressure	kPa	0	Kin. viscosity at t A	mm ² /s	1.569
7	Environmental temperature	°C	20	Vapor pressure at t A	kPa	100
8	Available system NPSH	m	0	Altitude		0

Pump data						
9	Lubrication	Standard, Grease lubrication [Std]				
10	Execution	Unit with standard coupling				
11	Design	Horizontal				Impeller Ø
12	Operating speed	2900 rpm	Stages	1		Max. mm 250
13	Suction nozzle	DN 65 /	PN 16 /	EN1092-1		designed mm 224
14	Discharge nozzle	DN 50 /	PN 16 /	EN1092-1		Min. mm 224
15	Max. casing pressure	kPa	1200			Flow
16	Max. working pressure	kPa	688.3			
17	Impeller type	Radial impeller				Head
18	Head H(Q=0)	m	70			
19	Max. shaft power	kW	15			at Qmin m 66.6
20	Pump weight	kg				Shaft power kW
21	Total weight	kg	165.0			Efficiency %
						NPSH 3% m

Materials						
22		Pump			Shaft Seal	
23	Pump body	Stainless steel / AISI 316L			Single mechanical seal, without shaft sleeve	
24	Impeller	Stainless steel / AISI 316L			Uniten 3K	VBVGG
25	SEAL HOUSING	Stainless steel / AISI 316L			Mechanical seal diameter	28 mm
26	Wear ring	Stainless steel / AISI 316L			1. Rotating ring	Ceramic
27	Counterwear ring	Stainless steel / AISI 316L			2. Stationary ring	Carbon graphite resin impregnated
28	Shaft extension	Stainless steel / AISI 316L			3. Secondary seal	Fluorine rubber (FKM)
29	Impeller locknut and washer	Stainless steel / AISI 316			4. Springs	CrNiMo - Steel
30	Tab	Stainless steel / AISI 316L			5. Others	CrNiMo - Steel
31	Fill/drain plugs	Stainless steel / AISI 316			Gaskets of the pump	Fluorine rubber (FKM)
32						
33						
34						
35						
36						
37						
38						
39						
40						
41						

Motor data				Electrical and dimensional data refer to IE3 motor				Coupling			
42	Manufacturer	Lowara				Manufacturer	Not applicable				
43	Specific design	IE3 3ph Surface Motor - Premium Efficiency				Series	Not applicable				
44	Type	PLM 160 B3 15 kW				Shaft diameter	Pump	0 mm	Motor	42 mm	
45	Rated power	15 kW	Rated current	26.6 A		Frame size	Not applicable				
46	Nominal speed	2940 rpm	Rated voltage	400 V		Spacer length	mm	Not applicable			
47	Frame size	160	Service factor	1		Weight	kg				
48	Weight	kg	99.5	Degree of protection	IP55		Coupling protection	Not applicable			

Base plate				Remarks				
49	Name	Not applicable						
50	Weight	kg						

ESHF 50-250/150/P25VSSA

Performance curve

Company name
Contact
Phone number
e-mail address

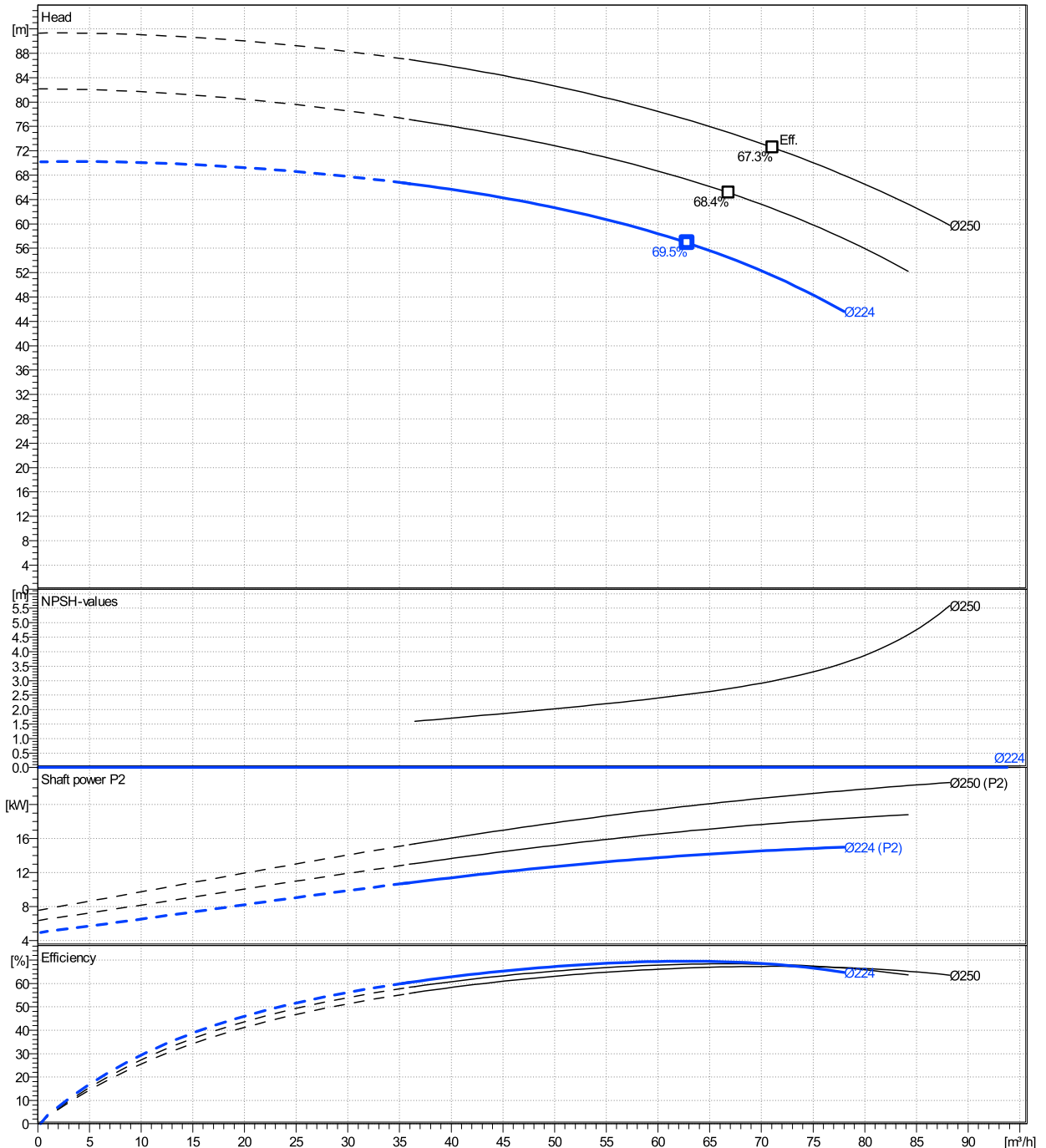
	Ø mm	Pump capacity			Pump head		Shaft power P2			Frequency		Hz	50
		Operating range Min. m³/h	Max. m³/h	η Max. m³/h	H(Q=0) m	η Max. m	P2(Q=0) kW	Max. kW	η Max. kW	Operating speed rpm	Nominal flow m³/h		
actual	224	36	78	62.8	70.2	56.9	15	14			2900	0	
Min.	0	/	/	62.8	70.2	56.9	/	14				0	
Max.	250	/	/	71.1	91.3	72.5	/	20.9				0	

Power datas referred to:

hydr. Performance acceptance acc. To EN ISO 9906 Class Grade 3B

Water, pure [100%] ; 4°C; 1000kg/m³; 1.57mm²/s

MEI: N.A - according to Ecodesign Directive 2009/125/EC and Regulation (EU) No.547/2012



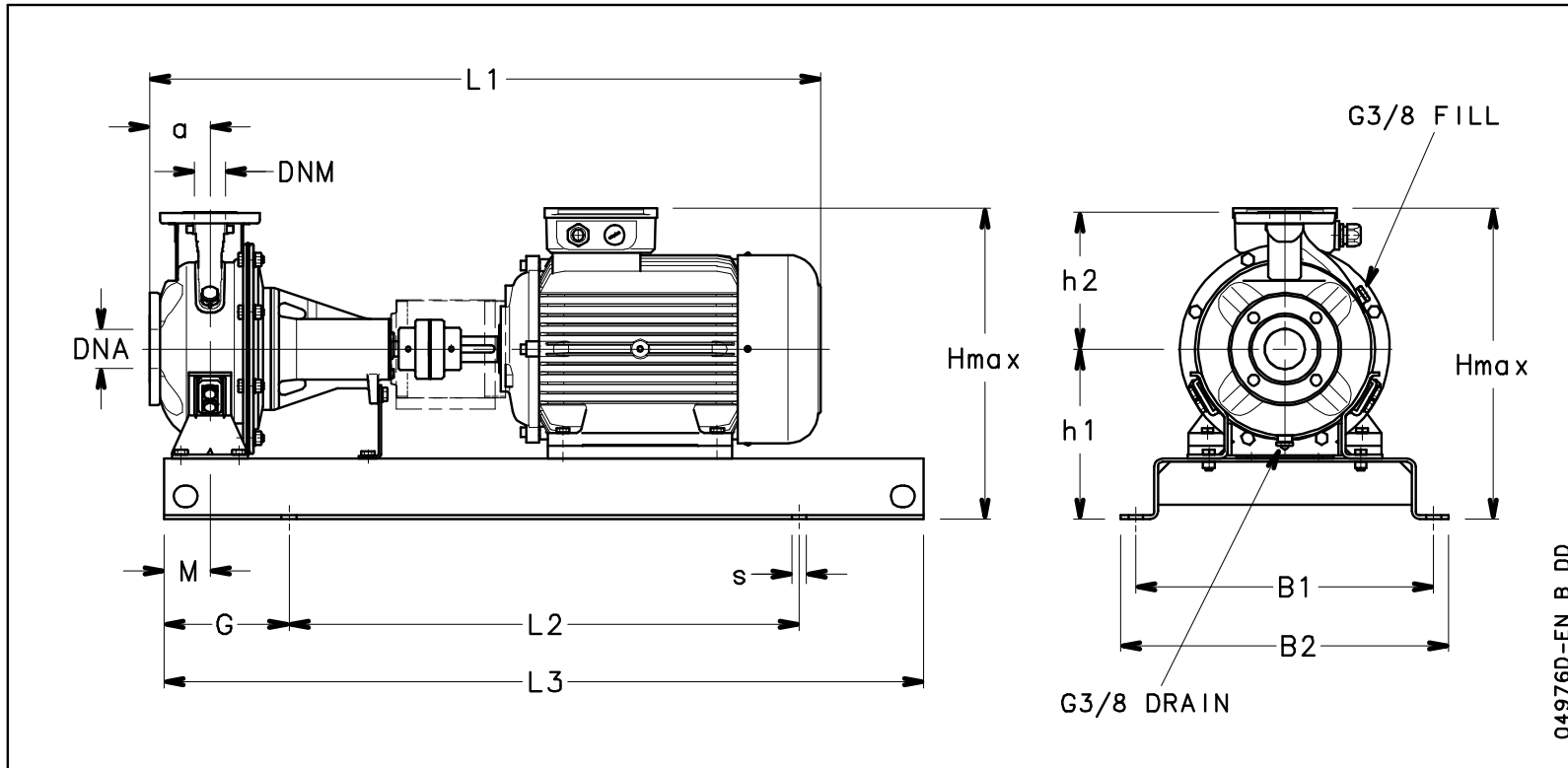
ESHF 50-250/150/P25VSSA

Dimensions

Company name
Contact
Phone number
e-mail address

Frame mounted
Unit with standard coupling
PLM 160 B3 15 kW

Electrical and dimensional data refer to IE3 motor



Dimensions [mm]

a	100
B1	490
B2	540
Coupling Type	Ø2
DNA	65
DNM	50
G	205
h1	280
h2	225
Hmax	520
L1	1067
L2	840
L3	1250
M	75
Sscrews	M20

Weight

Total weight	165 kg
--------------	--------

Connections

Suction nozzle	Discharge nozzle
DN 65	DN 50
PN 16	PN 16
EN1092-1	EN1092-1
D 185	D 165
Dia. Holes 18	Dia. Holes 18
DN 65	DN 50
G 104	G 83
M 145	M 125
Max thickness 18	Max thickness 18

Dimensions and weight without obligation

Project	Xylect-20123150	Created by		Last update	12/19/2024
Block	ESHF 50-250/220/L25VSSA	Created on	12/19/2024		

04976D-EN_B_DD