

ESHS 25-160/15/S26PSSA

Technical data

Company name
Contact
Phone number
e-mail address

Operating data					
1	Pumpe type	Single head pump		Fluid	Water, pure
2	No. of pumps	1		Operating temperature t A	°F 39.2
3	Nominal flow	US g.p.m.	0	Max / Min Operating Temperature mech. Seal	°F 120 / -10
4	Nominal head	ft	0	pH-value at t A	7
5	Static head	ft	0	Density at t A	lb/ft ³ 62.4
6	Inlet pressure	psi	0	Kin. viscosity at t A	ft ² /s 1.689E-5
7	Environmental temperature	°F	68	Vapor pressure at t A	psi 14.5
8	Available system NPSH	ft	0	Altitude	0

Pump data					
9	Lubrication	Standard, Grease lubrication [Std]			
10	Execution				
11	Design	Horizontal		Impeller Ø	Max. inch 5 7/16
12	Operating speed	3500 rpm	Stages 1		designed inch 4 15/16
13	Suction nozzle	DN 50 /	PN 16 /	EN1092-1	Min. inch 4 15/16
14	Discharge nozzle	DN 25 /	PN 16 /	EN1092-1	Flow
15	Max. casing pressure	psi	174		Nominal US g.p.m.
16	Max. working pressure	psi	36.9		Max- US g.p.m. 105.7
17	Impeller type	Radial impeller			Min- US g.p.m. 39.6
18	Head H(Q=0)	ft	85	Head	Nominal ft
19	Max. shaft power	hp	2		at Qmax ft 16
20	Pump weight	kg		Shaft power	at Qmin ft 76.2
21	Total weight	lb	60.4	Efficiency	%
				NPSH 3%	ft

Materials					
22		Pump		Shaft Seal	
23	Pump body	Stainless steel / AISI 316L		Single mechanical seal, without shaft sleeve	
24	Impeller	Stainless steel / AISI 316L		Uniten 3K	VBVGG
25	SEAL HOUSING	Stainless steel / AISI 316L		Mechanical seal diameter	7/8 inch
26	Wear ring	Stainless steel / AISI 316L		1. Rotating ring	Ceramic
27	Counterwear ring	Stainless steel / AISI 316L		2. Stationary ring	Carbon graphite resin impregnated
28	Rigid shaft coupling	Stainless steel / AISI 316L		3. Secondary seal	Fluorine rubber (FKM)
29	Impeller locknut and washer	Stainless steel / AISI 316		4. Springs	CrNiMo - Steel
30	Tab	Stainless steel / AISI 316L		5. Others	CrNiMo - Steel
31	Fill/drain plugs	Stainless steel / AISI 316		Gaskets of the pump	Fluorine rubber (FKM)
32					
33					
34					
35					
36					
37					
38					
39					
40					
41					

Motor data					
42	Manufacturer	Lowara SM			
43	Specific design	IE3 3ph Flange Motor - Premium Efficiency			
44	Type	SM 90R B5 1,5 kW			
45	Rated power	2.0115 hp	Rated current	5.56 A	
46	Nominal speed	3462 rpm	Rated voltage	220 V	
47	Frame size	90R	Service factor	1	
48	Weight	lb 26.2	Degree of protection	IP55	

Remarks					
49					
50					
50					
52					

ESHS 25-160/15/S26PSSA

Performance curve

Company name
Contact
Phone number
e-mail address

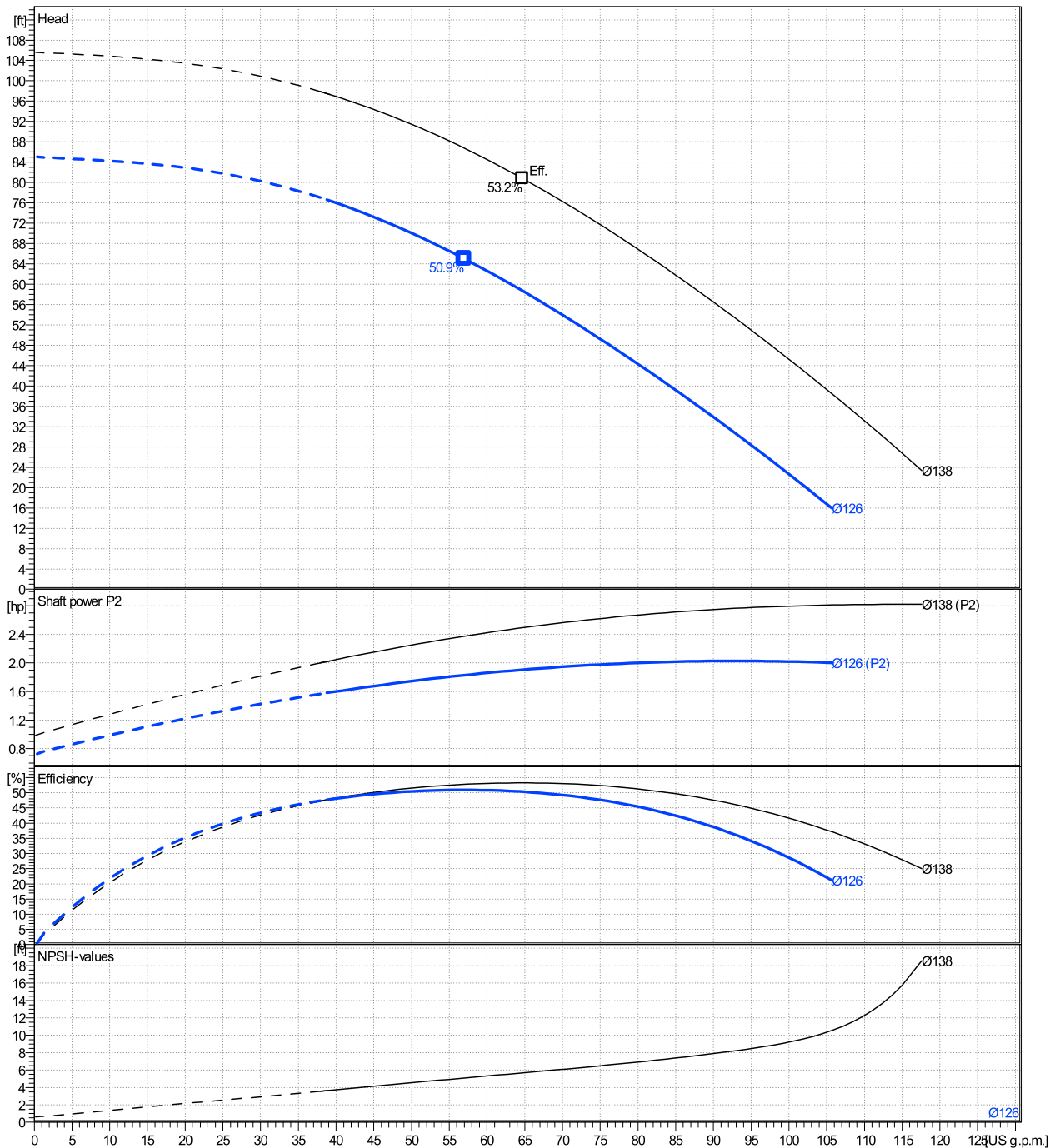
	Ø mm	Pump capacity Operating range η			Pump head η		Shaft power P2 η			Frequency	Hz	
		Min. US g.p.m.	Max. US g.p.m.	Max. US g.p.m.	H(Q=0) ft	Max. ft	P2(Q=0) hp	Max. hp	Max. hp	Operating speed	rpm	
actual	4 15/16	39.6	106	57	85	65	2.03	1.83	Nominal flow	US g.p.m.	0	
Min.	0	/	/	57	85	65	/	1.83	Nominal head	ft	0	
Max.	5 7/16	/	/	64.7	106	80.8	/	2.49	Inlet pressure	psi	0	
									Static head	ft	0	

Power datas referred to:

hydr. Performance acceptance acc. To EN ISO 9906 Class Grade 3B

Water, pure [100%] ; 39.2°F; 62.4lb/ft³; 1.69E-5ft²/s

MEI: N.A - according to Ecodesign Directive 2009/125/EC and Regulation (EU) No.547/2012



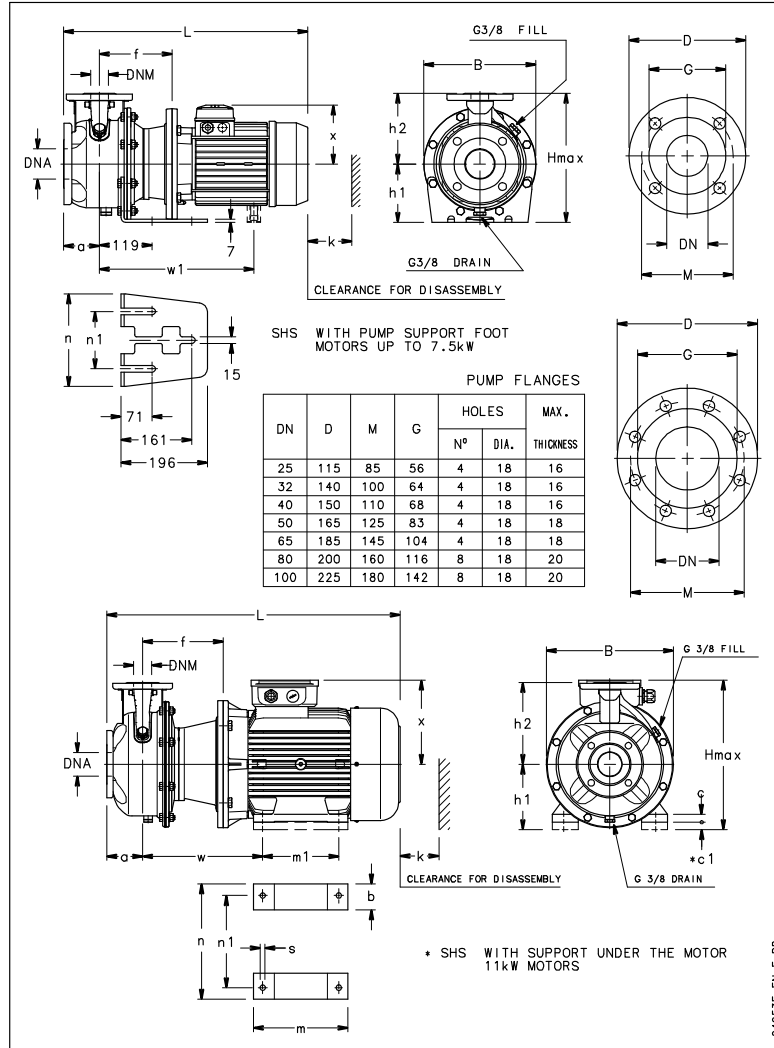
ESHS 25-160/15/S26PSSA

Dimensions

Company name
Contact
Phone number
e-mail address

Rigid coupling

SM 90R B5 1,5 kW



Dimensions [inch]

a	3 ¹ / ₈		
B	9 ¹⁵ / ₁₆		
DNA	1 ¹⁵ / ₁₆		
DNM	1		
f	6 ¹ / ₈		
h1	6 ⁵ / ₁₆		
h2	6 ⁵ / ₁₆		
Hmax	12 ⁵ / ₈		
k	3 ⁷ / ₈		
L	19 ⁵ / ₈		
n	8 ¹ / ₄		
n1	5 ¹ / ₈		
x	5 ¹ / ₁₆		

Weight

Total weight	27.4 kg
---------------------	----------------

Connections

Suction nozzle		Discharge nozzle	
DN 50		DN 25	
PN 16		PN 16	
EN1092-1		EN1092-1	
D	6 ¹ / ₂	D	4 ¹ / ₂
Dia. Holes	1 ¹⁵ / ₁₆	Dia. Holes	1 ¹⁵ / ₁₆
DN	1 ¹⁵ / ₁₆	DN	1
G	3 ¹ / ₄	G	2 ³ / ₁₆
M	4 ¹⁵ / ₁₆	M	3 ³ / ₈
Max thickness	1 ¹⁵ / ₁₆	Max thickness	1 ¹⁵ / ₁₆

Dimensions and weight without obligation

Project	Xylect-20183008	Created by		Last update	1/12/2025
Block	ESHS 25-160/22/P26PSSA	Created on	1/12/2025		

04953E-EN_E_DD