

ESHS 32-250/110/P26PSSA

Performance curve

Company name
Contact
Phone number
e-mail address

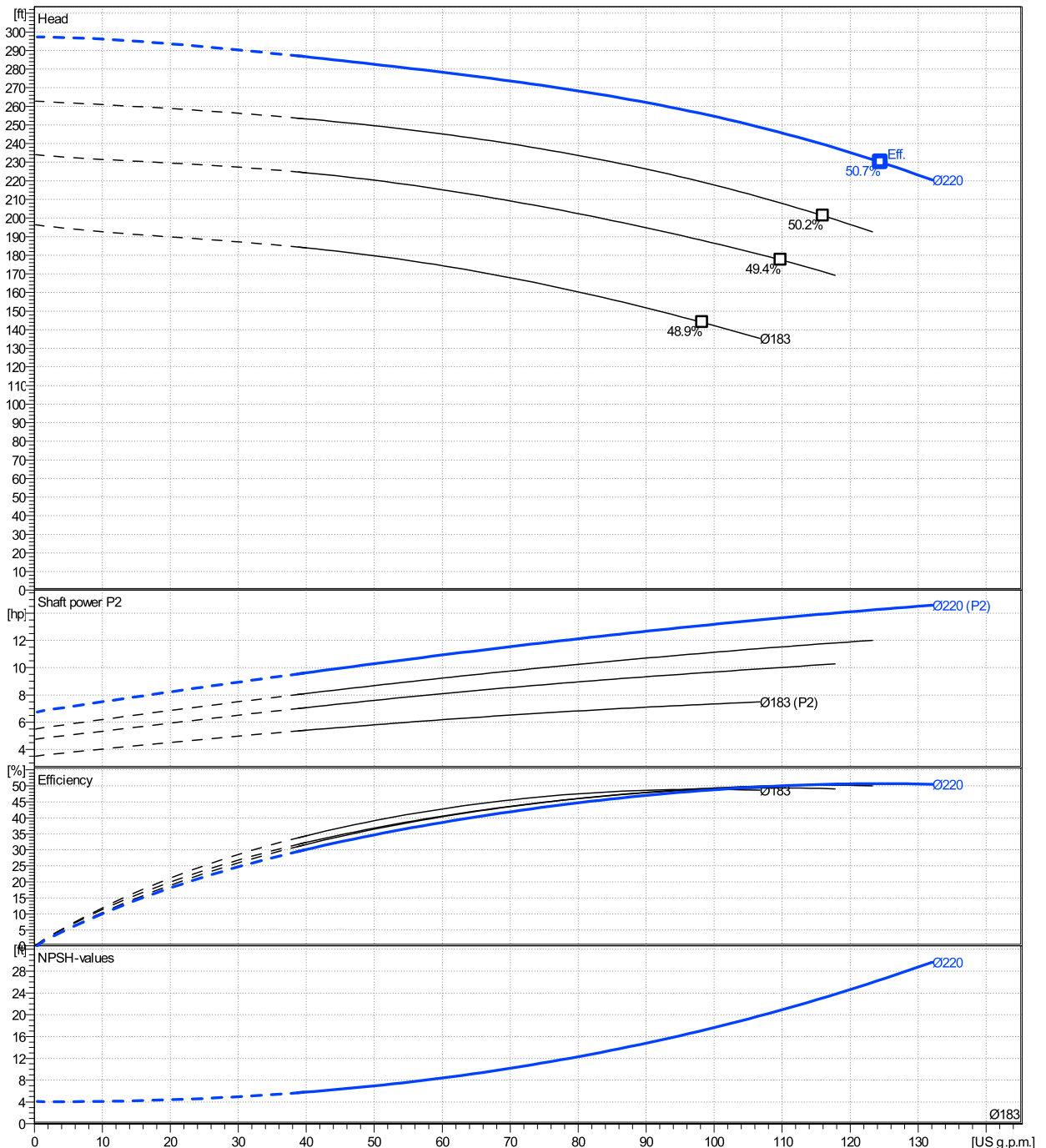
	Ø mm	Pump capacity Operating range η			Pump head η		Shaft power P2 η			Frequency	Hz
		Min. US g.p.m.	Max. US g.p.m.	Max. US g.p.m.	H(Q=0) ft	Max. ft	P2(Q=0) hp	Max. hp	Max. hp	Operating speed	rpm
actual	8 11/16	39.6	132	124	297	230	14.6	14.3	Nominal flow	US g.p.m.	0
Min.	0	/	/	98.3	196	144	/	7.3	Nominal head	ft	0
Max.	8 11/16	/	/	124	297	230	/	14.3	Inlet pressure	psi	0
									Static head	ft	0

Power datas referred to:

hydr. Performance acceptance acc. To EN ISO 9906 Class Grade 3B

Water, pure [100%] ; 39.2°F; 62.4lb/ft³; 1.69E-5ft²/s

MEI: N.A - according to Ecodesign Directive 2009/125/EC and Regulation (EU) No.547/2012



ESHS 32-250/110/P26PSSA

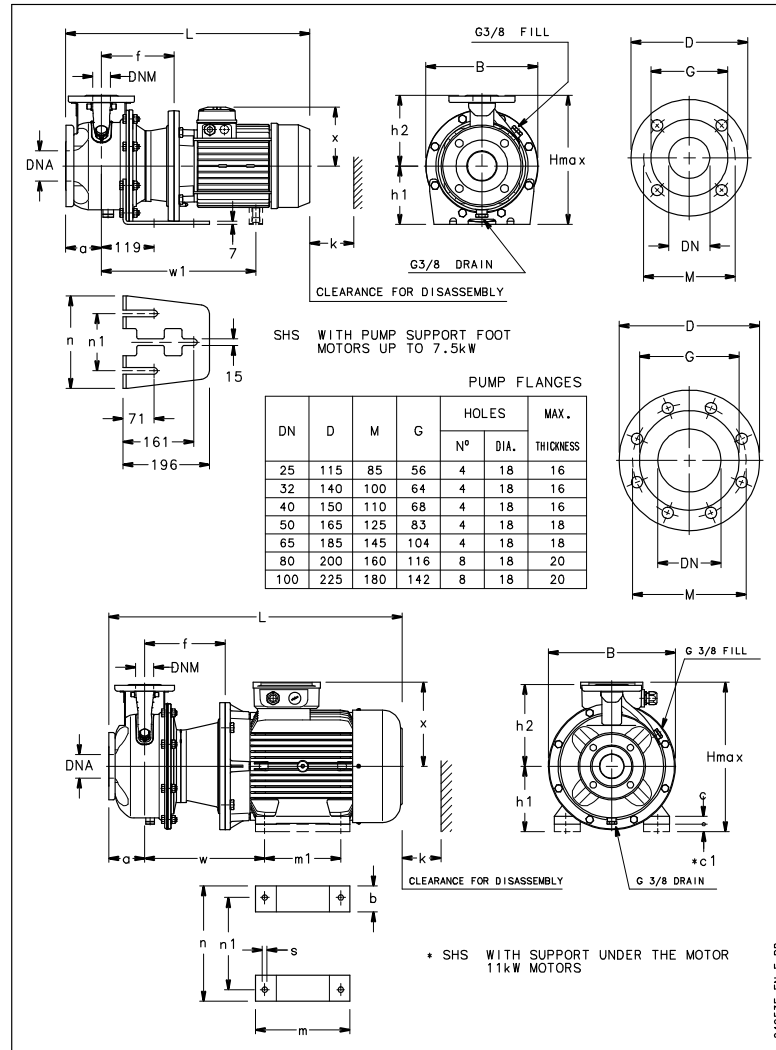
Dimensions

Company name
Contact
Phone number
e-mail address

Rigid coupling

PLM 160 B35 11 kW

Electrical and dimensional data refer to IE3 motor



Dimensions [inch]

a	3 ¹⁵ / ₁₆		
B	13 ³ / ₄		
b	1 ¹⁵ / ₁₆		
c	3 ¹ / ₁₆		
DNA	1 ¹⁵ / ₁₆		
DNM	1 ¹ / ₄		
f	8 ³ / ₄		
h1	7 ¹ / ₁₆		
h2	8 ⁷ / ₈		
Hmax	16 ⁹ / ₁₆		
k	3 ⁷ / ₈		
L	32 ¹ / ₈		
m	11 ¹⁵ / ₁₆		
m1	8 ¹ / ₄		
n	11 ¹⁵ / ₁₆		
n1	10		
s	9 ¹ / ₁₆		
w	13		
x	9 ⁷ / ₁₆		

Weight

Total weight	130 kg
---------------------	---------------

Connections

Suction nozzle		Discharge nozzle	
DN 50		DN 32	
PN 16		PN 16	
EN1092-1		EN1092-1	
D	6 ¹ / ₂	D	5 ¹ / ₂
Dia. Holes	1 ¹⁵ / ₁₆	Dia. Holes	1 ¹⁵ / ₁₆
DN	1 ¹⁵ / ₁₆	DN	1 ¹ / ₄
G	3 ¹ / ₄	G	2 ¹ / ₂
M	4 ¹⁵ / ₁₆	M	3 ¹⁵ / ₁₆
Max thickness	1 ¹⁵ / ₁₆	Max thickness	1 ¹⁵ / ₁₆

Dimensions and weight without obligation

Project	Xylect-20183008	Created by		Last update	1/12/2025
Block	ESHS 32-250/110/P26PSSA	Created on	1/12/2025		