

# ESHS 40-160/30/P25RSSA

## Technical data

Company name  
Contact  
Phone number  
e-mail address

Operating data					
1	Pumpe type	Single head pump		Fluid	Water, pure
2	No. of pumps	1		Operating temperature t A	°C 4
3	Nominal flow	m <sup>3</sup> /h	0	Max / Min Operating Temperature mech. Seal	°C 120 / -10
4	Nominal head	m	0	pH-value at t A	7
5	Static head	m	0	Density at t A	kg/m <sup>3</sup> 1000
6	Inlet pressure	kPa	0	Kin. viscosity at t A	mm <sup>2</sup> /s 1.569
7	Environmental temperature	°C	20	Vapor pressure at t A	kPa 100
8	Available system NPSH	m	0	Altitude	0

Pump data					
9	Lubrication	Standard, Grease lubrication [Std]			
10	Execution				
11	Design	Horizontal		Impeller Ø	Max. mm 171
12	Operating speed	2900 rpm	Stages 1		designed mm 152
13	Suction nozzle	DN 65 /	PN 16 / EN1092-1		Min. mm 152
14	Discharge nozzle	DN 40 /	PN 16 / EN1092-1	Flow	Nominal m <sup>3</sup> /h
15	Max. casing pressure	kPa	1200		Max- m <sup>3</sup> /h 45
16	Max. working pressure	kPa	303.2	Min- m <sup>3</sup> /h 18	
17	Impeller type	Radial impeller		Head	Nominal m
18	Head H(Q=0)	m	31		at Qmax m 14.4
19	Max. shaft power	kW	3.2	Shaft power kW	at Qmin m 28.8
20	Pump weight	kg		Efficiency %	
21	Total weight	kg	42.0	NPSH 3% m	

Materials					
22		Pump		Shaft Seal	
23	Pump body	Stainless steel / AISI 316L		Single mechanical seal, without shaft sleeve	
24	Impeller	Stainless steel / AISI 316L		Uniten 3K	VBVGG
25	SEAL HOUSING	Stainless steel / AISI 316L		Mechanical seal diameter	
26	Wear ring	Stainless steel / AISI 316L		1. Rotating ring	Ceramic
27	Counterwear ring	Stainless steel / AISI 316L		2. Stationary ring	Carbon graphite resin impregnated
28	Rigid shaft coupling	Stainless steel / AISI 316L		3. Secondary seal	Fluorine rubber (FKM)
29	Impeller locknut and washer	Stainless steel / AISI 316		4. Springs	CrNiMo - Steel
30	Tab	Stainless steel / AISI 316L		5. Others	CrNiMo - Steel
31	Fill/drain plugs	Stainless steel / AISI 316		Gaskets of the pump	Fluorine rubber (FKM)
32					
33					
34					
35					
36					
37					
38					
39					
40					
41					

Motor data					
Electrical and dimensional data refer to IE3 motor					
42	Manufacturer	Lowara PLM			
43	Specific design	IE3 3ph Flange Motor - Premium Efficiency			
44	Type	PLM 100R B5 3 kW			
45	Rated power	3 kW	Rated current	6.33 A	
46	Nominal speed	2865 rpm	Rated voltage	400 V	
47	Frame size	100R	Service factor	1	
48	Weight	kg 22.0	Degree of protection	IP55	

Remarks					
49					
50					
50					
52					

# ESHS 40-160/30/P25RSSA

## Performance curve

Company name  
Contact  
Phone number  
e-mail address

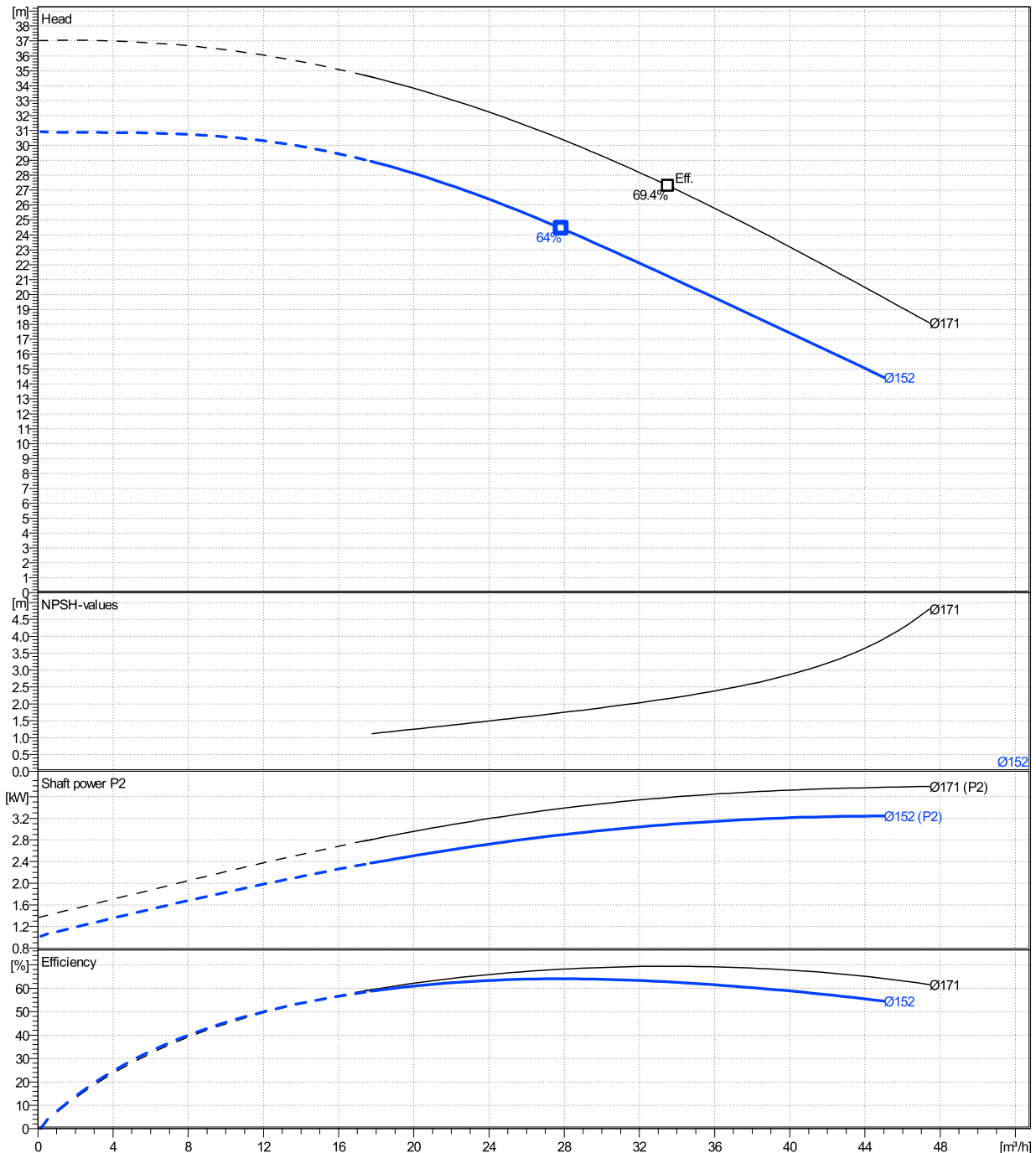
	Ø mm	Pump capacity Operating range			Pump head		Shaft power P2			Frequency	Hz	50
		Min. m³/h	Max. m³/h	η Max. m³/h	H(Q=0) m	η Max. m	P2(Q=0) kW	Max. kW	η Max. kW	Operating speed	rpm	2900
actual	152	18	45	27.9	30.9	24.4		3.24	2.89	Nominal flow	m³/h	0
Min.	0	/	/	27.9	30.9	24.4		/	2.89	Nominal head	m	0
Max.	171	/	/	33.5	37	27.3		/	3.59	Inlet pressure	kPa	0
										Static head	m	0

Power datas referred to:

hydr. Performance acceptance acc. To EN ISO 9906 Class Grade 3B

Water, pure [100%] ; 4°C; 1000kg/m³; 1.57mm²/s

MEI: N.A - according to Ecodesign Directive 2009/125/EC and Regulation (EU) No.547/2012



# ESHS 40-160/30/P25RSSA

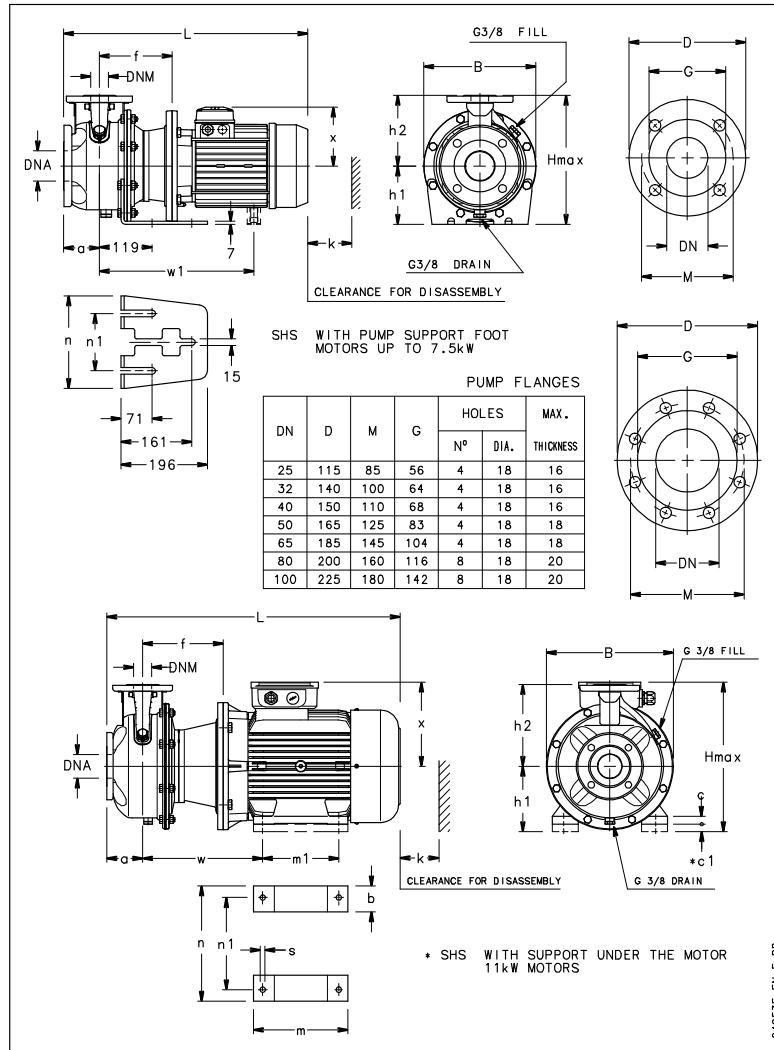
## Dimensions

Company name  
Contact  
Phone number  
e-mail address

Rigid coupling

PLM 100R B5 3 kW

Electrical and dimensional data refer to IE3 motor



### Dimensions [ mm ]

a	80
B	253
DNA	65
DNM	40
f	165
h1	132
h2	160
Hmax	292
k	100
L	543
n	210
n1	130
x	134

### Weight

Total weight	42 kg
--------------	-------

### Connections

Suction nozzle		Discharge nozzle	
DN 65		DN 40	
PN 16		PN 16	
EN1092-1		EN1092-1	
D	185	D	150
Dia. Holes	18	Dia. Holes	18
DN	65	DN	40
G	104	G	68
M	145	M	110
Max thickness	16	Max thickness	16

### Dimensions and weight without obligation

Project	Xylect-20117698	Created by		Last update	12/18/2024
Block	ESHS 40-160/40/P25VSSA	Created on	12/18/2024		