

ESHS 40-200/11/P45RSSA

Technical data

Company name
Contact
Phone number
e-mail address

Operating data					
1	Pumpe type	Single head pump		Fluid	Water, pure
2	No. of pumps	1		Operating temperature t A	°C 4
3	Nominal flow	m ³ /h	0	Max / Min Operating Temperature mech. Seal	°C 120 / -10
4	Nominal head	m	0	pH-value at t A	7
5	Static head	m	0	Density at t A	kg/m ³ 1000
6	Inlet pressure	kPa	0	Kin. viscosity at t A	mm ² /s 1.569
7	Environmental temperature	°C	20	Vapor pressure at t A	kPa 100
8	Available system NPSH	m	0	Altitude	0

Pump data						
9	Lubrication	Standard, Grease lubrication [Std]				
10	Execution					
11	Design	Horizontal		Impeller Ø	Max. mm 209	
12	Operating speed	1450 rpm	Stages 1		designed mm 209	
13	Suction nozzle	DN 65 /	PN 16 /	EN1092-1	Min. mm 190	
14	Discharge nozzle	DN 40 /	PN 16 /	EN1092-1	Flow	
15	Max. casing pressure	kPa	1200			Nominal m ³ /h
16	Max. working pressure	kPa	139.2		Max- m ³ /h 25	
17	Impeller type	Radial impeller		Head	Min- m ³ /h 9	
18	Head H(Q=0)	m	14		Nominal m	
19	Max. shaft power	kW	.9		at Qmax m 7.4	
20	Pump weight	kg			at Qmin m 13.3	
21	Total weight	kg	37.0		Shaft power kW	
					Efficiency %	
					NPSH 3% m	

Materials					
22		Pump		Shaft Seal	
23	Pump body	Stainless steel / AISI 316L		Single mechanical seal, without shaft sleeve	
24	Impeller	Stainless steel / AISI 316L		Uniten 3K	VBVGG
25	SEAL HOUSING	Stainless steel / AISI 316L		Mechanical seal diameter 22 mm	
26	Wear ring	Stainless steel / AISI 316L		1. Rotating ring	Ceramic
27	Counterwear ring	Stainless steel / AISI 316L		2. Stationary ring	Carbon graphite resin impregnated
28	Rigid shaft coupling	Stainless steel / AISI 316L		3. Secondary seal	Fluorine rubber (FKM)
29	Impeller locknut and washer	Stainless steel / AISI 316		4. Springs	CrNiMo - Steel
30	Tab	Stainless steel / AISI 316L		5. Others	CrNiMo - Steel
31	Fill/drain plugs	Stainless steel / AISI 316		Gaskets of the pump Fluorine rubber (FKM)	
32					
33					
34					
35					
36					
37					
38					
39					
40					
41					

Motor data					
Electrical and dimensional data refer to IE3 motor					
42	Manufacturer	Lowara PLM			
43	Specific design	IE3 3ph Flange Motor - Premium Efficiency			
44	Type	PLM 90 B5 1,1 kW			
45	Rated power	1.1 kW	Rated current	2.65 A	
46	Nominal speed	1435 rpm	Rated voltage	400 V	
47	Frame size	90	Service factor	1	
48	Weight	kg 19.4	Degree of protection	IP55	

Remarks					
49					
50					
50					
52					

ESHS 40-200/11/P45RSSA

Performance curve

Company name
Contact
Phone number
e-mail address

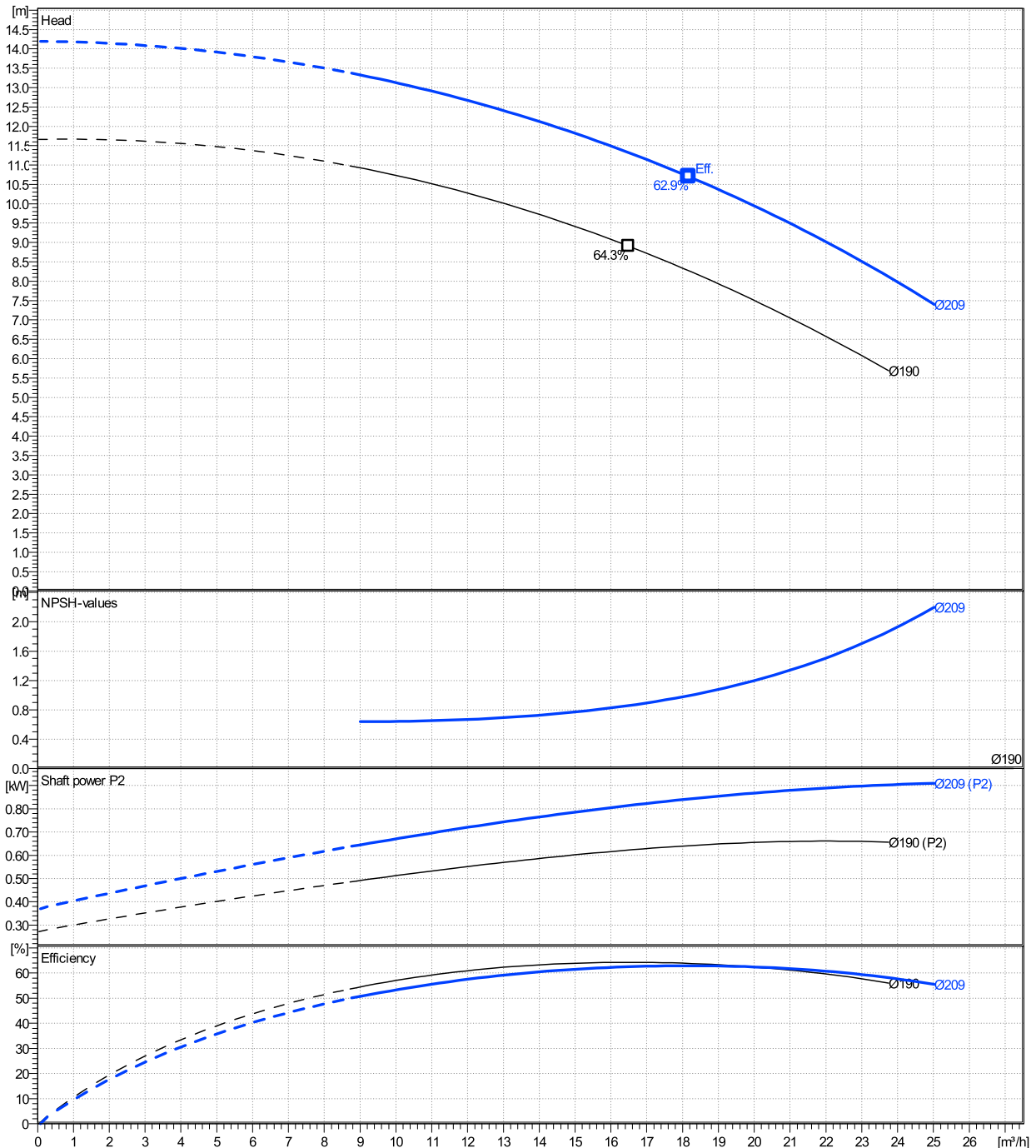
	Ø mm	Pump capacity			Pump head		Shaft power P2			Frequency	Hz	50
		Operating range Min. m³/h	Max. m³/h	η Max. m³/h	H(Q=0) m	η Max. m	P2(Q=0) kW	Max. kW	η Max. kW	Operating speed	rpm	1450
actual	209	9	25	18.2	14.2	10.7	0.909	0.842		Nominal flow	m³/h	0
Min.	0	/	/	16.5	11.7	8.91	/	0.623		Nominal head	m	0
Max.	209	/	/	18.2	14.2	10.7	/	0.842		Inlet pressure	kPa	0
										Static head	m	0

Power datas referred to:

hydr. Performance acceptance acc. To EN ISO 9906 Class Grade 3B

Water, pure [100%] ; 4°C; 1000kg/m³; 1.57mm²/s

MEI: N.A - according to Ecodesign Directive 2009/125/EC and Regulation (EU) No.547/2012



ESHS 40-200/11/P45RSSA

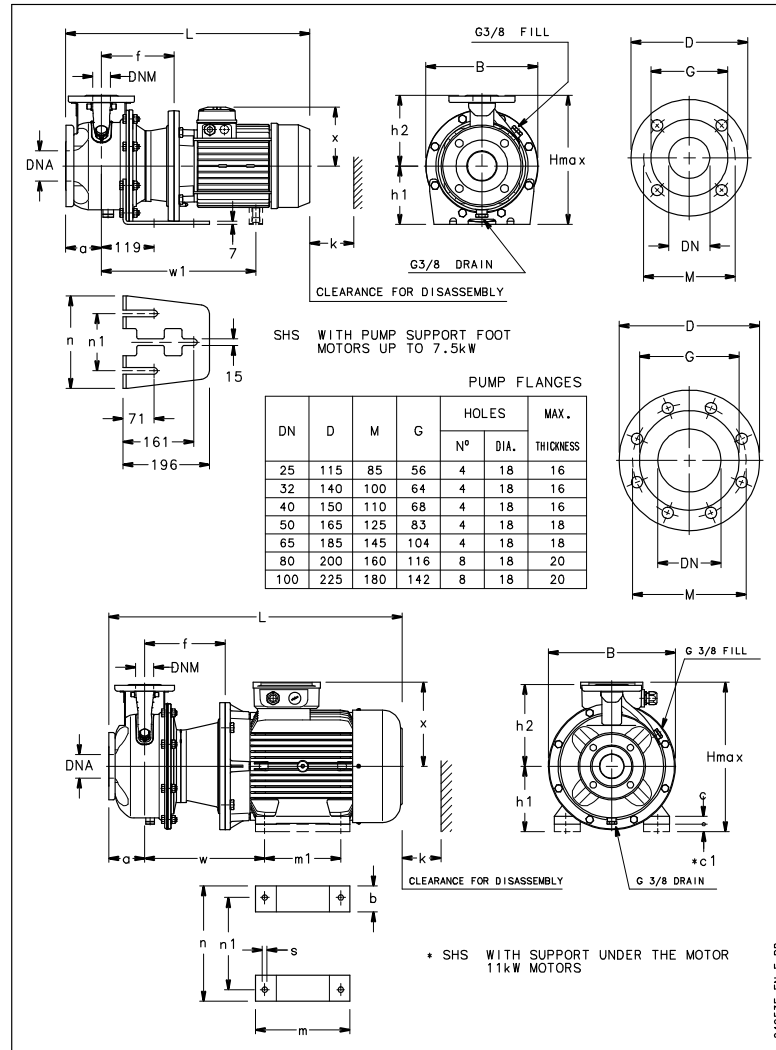
Dimensions

Company name
Contact
Phone number
e-mail address

Rigid coupling

PLM 90 B5 1,1 kW

Electrical and dimensional data refer to IE3 motor



Dimensions		[mm]	
a	100		
B	284		
DNA	65		
DNM	40		
f	155		
h1	160		
h2	180		
Hmax	340		
k	100		
L	553		
n	230		
n1	130		
x	134		

Weight	
Total weight	37 kg

Connections			
Suction nozzle		Discharge nozzle	
DN 65		DN 40	
PN 16		PN 16	
EN1092-1		EN1092-1	
D	185	D	150
Dia. Holes	18	Dia. Holes	18
DN	65	DN	40
G	104	G	68
M	145	M	110
Max thickness	16	Max thickness	16

Dimensions and weight without obligation

Project	Xylect-20117698	Created by		Last update	12/18/2024
Block	ESHS 40-200/75/P25VSSA	Created on	12/18/2024		