

ESHS 50-250/30/P46PSSA

Technical data

Company name
Contact
Phone number
e-mail address

Operating data						
1	Pumpe type	Single head pump		Fluid	Water, pure	
2	No. of pumps	1		Operating temperature t A	°F	39.2
3	Nominal flow	US g.p.m.	0	Max / Min Operating Temperature mech. Seal	°F	120 / -10
4	Nominal head	ft	0	pH-value at t A		7
5	Static head	ft	0	Density at t A	lb/ft ³	62.4
6	Inlet pressure	psi	0	Kin. viscosity at t A	ft ² /s	1.689E-5
7	Environmental temperature	°F	68	Vapor pressure at t A	psi	14.5
8	Available system NPSH	ft	0	Altitude		0

Pump data									
9	Lubrication	Standard, Grease lubrication [Std]							
10	Execution								
11	Design	Horizontal		Impeller Ø	Max.	inch	8 13/16		
12	Operating speed	1750 rpm	Stages		1	designed	inch	8 13/16	
13	Suction nozzle	DN 65	/	PN 16	/	EN1092-1	Min.	inch	7 7/16
14	Discharge nozzle	DN 50	/	PN 16	/	EN1092-1	Flow		Nominal US g.p.m.
15	Max. casing pressure	psi	174				Max-	US g.p.m.	198.1
16	Max. working pressure	psi	35.4				Min-	US g.p.m.	79.3
17	Impeller type	Radial impeller		Head	Nominal	ft			
18	Head H(Q=0)	ft	82		at Qmax	ft	50.1		
19	Max. shaft power	hp	4		at Qmin	ft	76.6		
20	Pump weight	kg			Shaft power	hp			
21	Total weight	lb	143.3		Efficiency	%			
					NPSH 3%	ft			

Materials			
22		Pump	Shaft Seal
23	Pump body	Stainless steel / AISI 316L	Single mechanical seal, without shaft sleeve
24	Impeller	Stainless steel / AISI 316L	Uniten 3K
25	SEAL HOUSING	Stainless steel / AISI 316L	Mechanical seal diameter
26	Wear ring	Stainless steel / AISI 316L	1. Rotating ring
27	Counterwear ring	Stainless steel / AISI 316L	2. Stationary ring
28	Rigid shaft coupling	Stainless steel / AISI 316L	3. Secondary seal
29	Impeller locknut and washer	Stainless steel / AISI 316	4. Springs
30	Tab	Stainless steel / AISI 316L	5. Others
31	Fill/drain plugs	Stainless steel / AISI 316	Gaskets of the pump
32			
33			
34			
35			
36			
37			
38			
39			
40			
41			

Motor data			
Electrical and dimensional data refer to IE3 motor			
42	Manufacturer	Lowara PLM	
43	Specific design	IE3 3ph Flange Motor - Premium Efficiency	
44	Type	PLM 100 B5 3 kW	
45	Rated power	4.0231 hp	Rated current
46	Nominal speed	1746 rpm	Rated voltage
47	Frame size	100	Service factor
48	Weight	lb 78.0	Degree of protection

Remarks	
49	
50	
50	
52	

ESHS 50-250/30/P46PSSA

Performance curve

Company name
Contact
Phone number
e-mail address

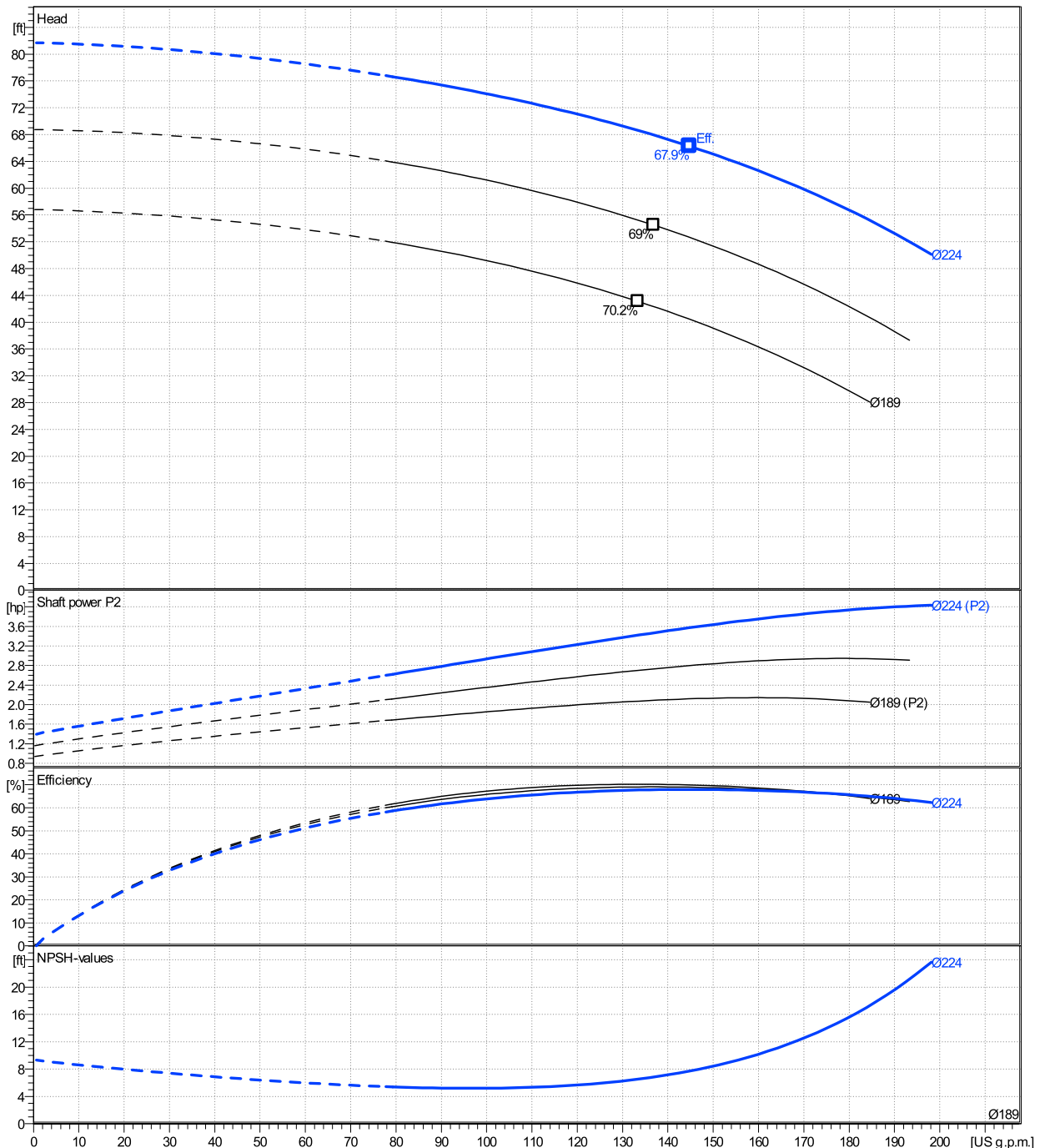
	Ø mm	Pump capacity Operating range η			Pump head H(Q=0) η		Shaft power P2 P2(Q=0) η			Frequency	Hz	
		Min. US g.p.m.	Max. US g.p.m.	Max. US g.p.m.	H(Q=0) ft	Max. ft	Max. hp	Max. hp	Max. hp	Operating speed	rpm	
actual	8 13/16	79.3	198	145	81.7	66.3	4.03	3.57	60	1750		
Min.	0	/	/	133	56.8	43.1	/	2.07			0	
Max.	8 13/16	/	/	145	81.7	66.3	/	3.57			0	

Power datas referred to:

hydr. Performance acceptance acc. To EN ISO 9906 Class Grade 3B

Water, pure [100%] ; 39.2°F; 62.4lb/ft³; 1.69E-5ft²/s

MEI: N.A - according to Ecodesign Directive 2009/125/EC and Regulation (EU) No.547/2012



ESHS 50-250/30/P46PSSA

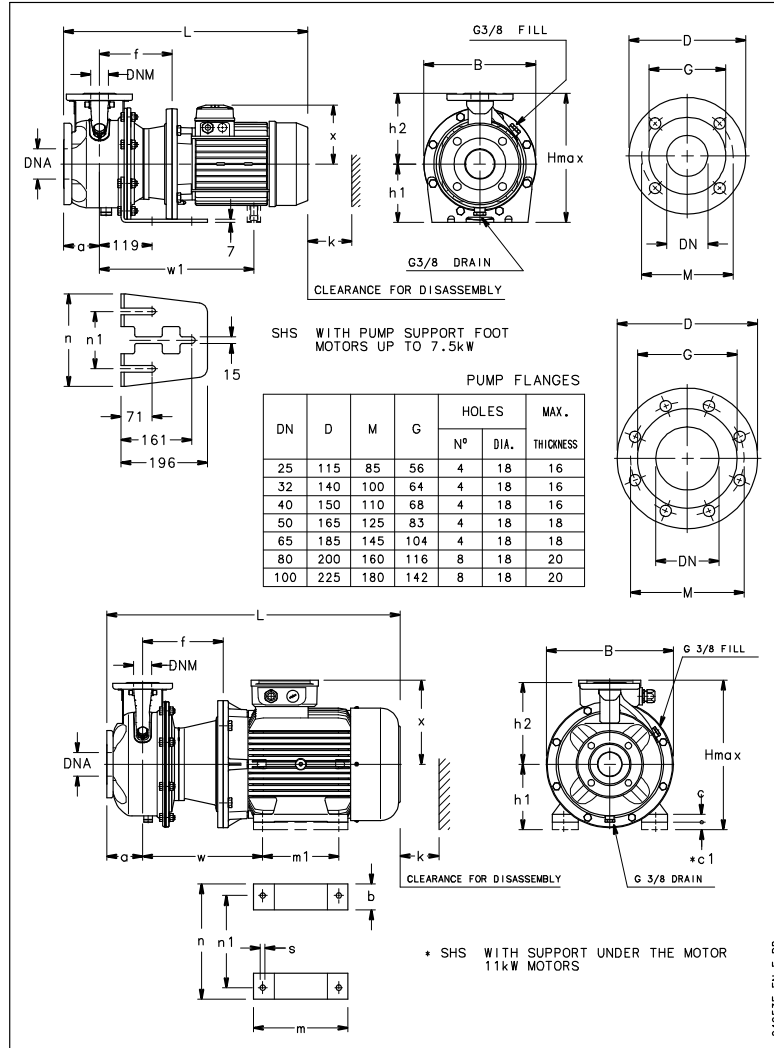
Dimensions

Company name
Contact
Phone number
e-mail address

Rigid coupling

PLM 100 B5 3 kW

Electrical and dimensional data refer to IE3 motor



Dimensions [inch]

a	3 ¹⁵ / ₁₆		
B	13 ⁹ / ₁₆		
DNA	2 ⁹ / ₁₆		
DNM	1 ¹⁵ / ₁₆		
f	6 ¹ / ₂		
h1	7 ¹ / ₁₆		
h2	8 ⁷ / ₈		
Hmax	15 ¹⁵ / ₁₆		
k	4 ³ / ₁₆		
L	24 ⁵ / ₁₆		
n	10 ⁷ / ₁₆		
n1	5 ¹ / ₈		
x	6 ⁵ / ₈		

Weight

Total weight **65 kg**

Connections

Suction nozzle		Discharge nozzle	
DN 65		DN 50	
PN 16		PN 16	
EN1092-1		EN1092-1	
D	7 ⁵ / ₁₆	D	6 ¹ / ₂
Dia. Holes	1 ¹ / ₁₆	Dia. Holes	1 ¹⁵ / ₁₆
DN	2 ⁹ / ₁₆	DN	1 ¹⁵ / ₁₆
G	4 ¹ / ₈	G	3 ¹ / ₄
M	5 ¹¹ / ₁₆	M	4 ¹⁵ / ₁₆
Max thickness	1 ¹⁵ / ₁₆	Max thickness	1 ¹⁵ / ₁₆

Dimensions and weight without obligation

Project **Xylect-20183008**
Block **ESHS 50-250/220/P26PSSA**

Created by
Created on **1/12/2025**

Last update **1/12/2025**