



# ESHS 65-160/11/P46PSNA

## Performance curve

Company name  
Contact  
Phone number  
e-mail address

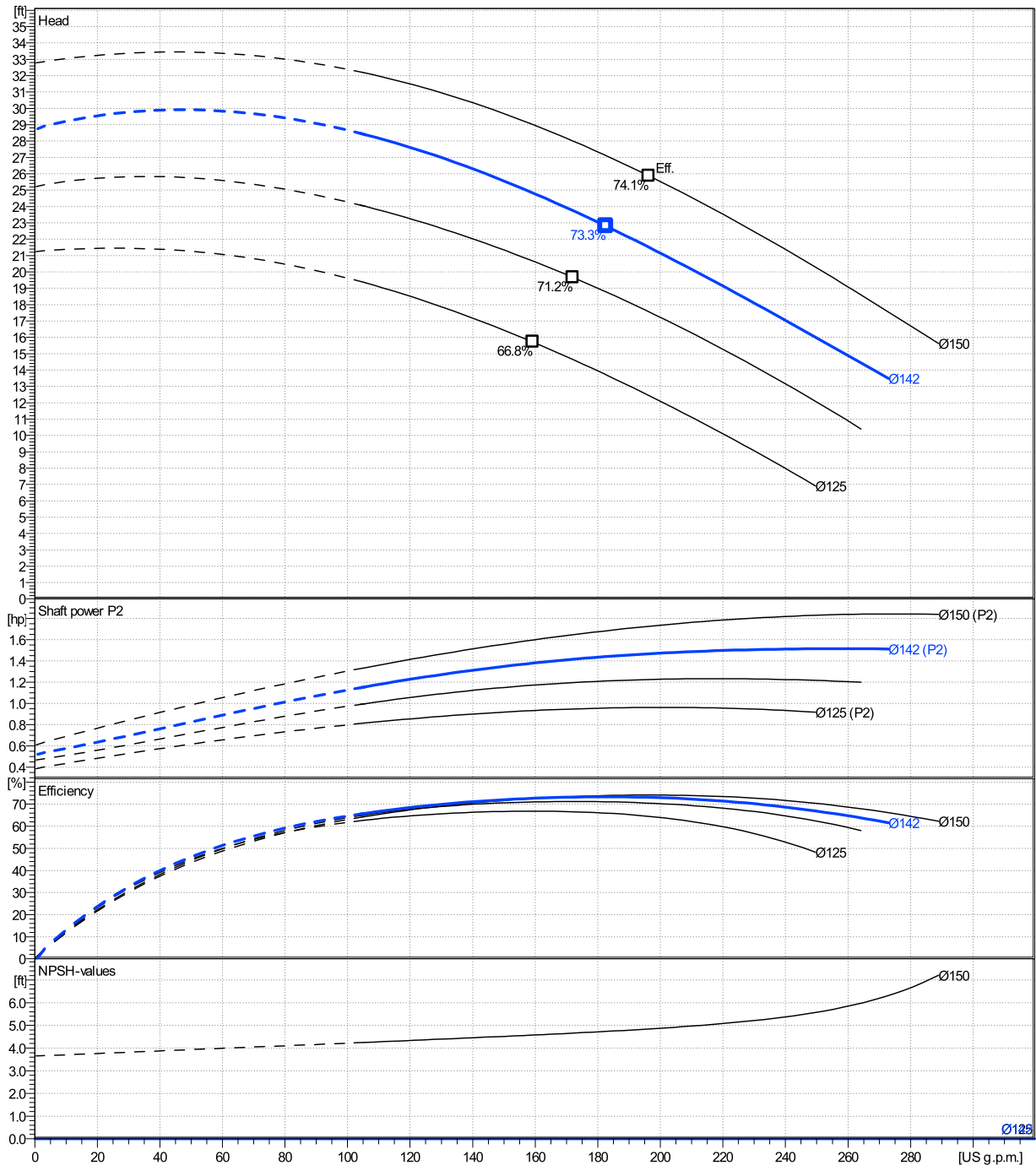
	Ø mm	Pump capacity Operating range η			Pump head H(Q=0) η		Shaft power P2 P2(Q=0) η			Frequency	Hz	
		Min. US g.p.m.	Max. US g.p.m.	Max. US g.p.m.	ft	ft	hp	hp	hp	Operating speed	rpm	
actual	5 9/16	106	273	183	28.8	22.8		1.51	1.44	Nominal flow	US g.p.m.	0
Min.	0	/	/	159	21.3	15.7		/	0.931	Nominal head	ft	0
Max.	5 7/8	/	/	196	32.8	25.9		/	1.72	Inlet pressure	psi	0
										Static head	ft	0

**Power datas referred to:**

hydr. Performance acceptance acc. To EN ISO 9906 Class Grade 3B

Water, pure [100%] ; 39.2°F; 62.4lb/ft³; 1.69E-5ft²/s

MEI: N.A - according to Ecodesign Directive 2009/125/EC and Regulation (EU) No.547/2012



# ESHS 65-160/11/P46PSNA

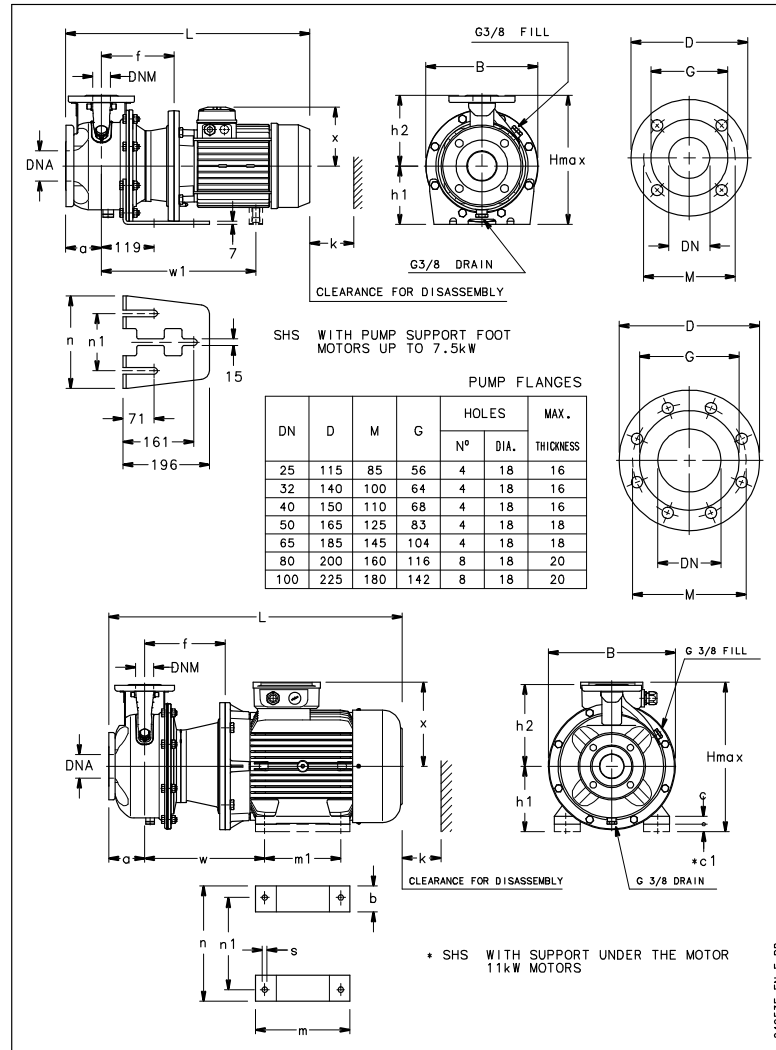
## Dimensions

Company name  
Contact  
Phone number  
e-mail address

Rigid coupling

PLM 90 B5 1,1 kW

Electrical and dimensional data refer to IE3 motor



Dimensions		[ inch ]	
a	3 <sup>5</sup> / <sub>16</sub>		
B	12 <sup>3</sup> / <sub>16</sub>		
DNA	3 <sup>1</sup> / <sub>8</sub>		
DNM	2 <sup>9</sup> / <sub>16</sub>		
f	6 <sup>1</sup> / <sub>8</sub>		
h1	6 <sup>5</sup> / <sub>16</sub>		
h2	7 <sup>7</sup> / <sub>8</sub>		
Hmax	14 <sup>3</sup> / <sub>16</sub>		
k	5 <sup>1</sup> / <sub>8</sub>		
L	21 <sup>3</sup> / <sub>4</sub>		
n	9 <sup>5</sup> / <sub>8</sub>		
n1	5 <sup>1</sup> / <sub>8</sub>		
x	5 <sup>1</sup> / <sub>4</sub>		

Weight	
Total weight	48 kg

Connections	
<b>Suction nozzle</b>	<b>Discharge nozzle</b>
DN 80	DN 65
PN 16	PN 16
EN1092-1	EN1092-1
D	7 <sup>7</sup> / <sub>8</sub>
Dia. Holes	1 <sup>1</sup> / <sub>16</sub>
DN	3 <sup>1</sup> / <sub>8</sub>
G	4 <sup>1</sup> / <sub>2</sub>
M	6 <sup>5</sup> / <sub>16</sub>
Max thickness	1 <sup>3</sup> / <sub>16</sub>

### Dimensions and weight without obligation

Project Xylect-20183008  
Block ESHS 65-160/110/P26PSNA

Created by  
Created on 1/12/2025

Last update 1/12/2025