

# ESHS 65-200/185/P25VSNA

## Technical data

Company name  
Contact  
Phone number  
e-mail address

Operating data					
1	Pumpe type	Single head pump		Fluid	Water, pure
2	No. of pumps	1		Operating temperature t A	°C 4
3	Nominal flow	m³/h	0	Max / Min Operating Temperature mech. Seal	°C 120 / -10
4	Nominal head	m	0	pH-value at t A	7
5	Static head	m	0	Density at t A	kg/m³ 1000
6	Inlet pressure	kPa	0	Kin. viscosity at t A	mm²/s 1.569
7	Environmental temperature	°C	20	Vapor pressure at t A	kPa 100
8	Available system NPSH	m	0	Altitude	0

Pump data					
9	Lubrication	Standard, Grease lubrication [Std]			
10	Execution				
11	Design	Horizontal		Impeller Ø	Max. mm 210
12	Operating speed	2900 rpm	Stages 1		designed mm 203
13	Suction nozzle	DN 80 /	PN 16 / EN1092-1		Min. mm 192
14	Discharge nozzle	DN 65 /	PN 16 / EN1092-1	Flow	Nominal m³/h
15	Max. casing pressure	kPa	1200		Max- m³/h 122
16	Max. working pressure	kPa	595.6	Min- m³/h 51.3	
17	Impeller type	Radial impeller		Head	Nominal m
18	Head H(Q=0)	m	61		at Qmax m 34.7
19	Max. shaft power	kW	18.4	Shaft power kW	at Qmin m 56.9
20	Pump weight	kg		Efficiency %	
21	Total weight	kg	153.0	NPSH 3% m	

Materials					
22		Pump		Shaft Seal	
23	Pump body	Stainless steel / AISI 316L		Single mechanical seal, without shaft sleeve	
24	Impeller	Stainless steel / ASTMCF8M		Uniten 3K	VBVGG
25	SEAL HOUSING	Stainless steel / AISI 316L		Mechanical seal diameter 28 mm	
26	Wear ring	Stainless steel / AISI 316L		1. Rotating ring	Ceramic
27	Counterwear ring	Stainless steel / AISI 316L		2. Stationary ring	Carbon graphite resin impregnated
28	Rigid shaft coupling	Stainless steel / AISI 316L		3. Secondary seal	Fluorine rubber (FKM)
29	Impeller locknut and washer	Stainless steel / AISI 316		4. Springs	CrNiMo - Steel
30	Tab	Stainless steel / AISI 316L		5. Others	CrNiMo - Steel
31	Fill/drain plugs	Stainless steel / AISI 316		Gaskets of the pump	Fluorine rubber (FKM)
32					
33					
34					
35					
36					
37					
38					
39					
40					
41					

Motor data					
Electrical and dimensional data refer to IE3 motor					
42	Manufacturer	Lowara PLM			
43	Specific design	IE3 3ph Flange Motor - Premium Efficiency			
44	Type	PLM 160 B35 18,5 kW			
45	Rated power	18.5 kW	Rated current	32.7 A	
46	Nominal speed	2940 rpm	Rated voltage	400 V	
47	Frame size	160	Service factor	1	
48	Weight	kg 112.0	Degree of protection	IP55	

Remarks					
49					
50					
50					
52					

# ESHS 65-200/185/P25VSNA

## Performance curve

Company name  
Contact  
Phone number  
e-mail address

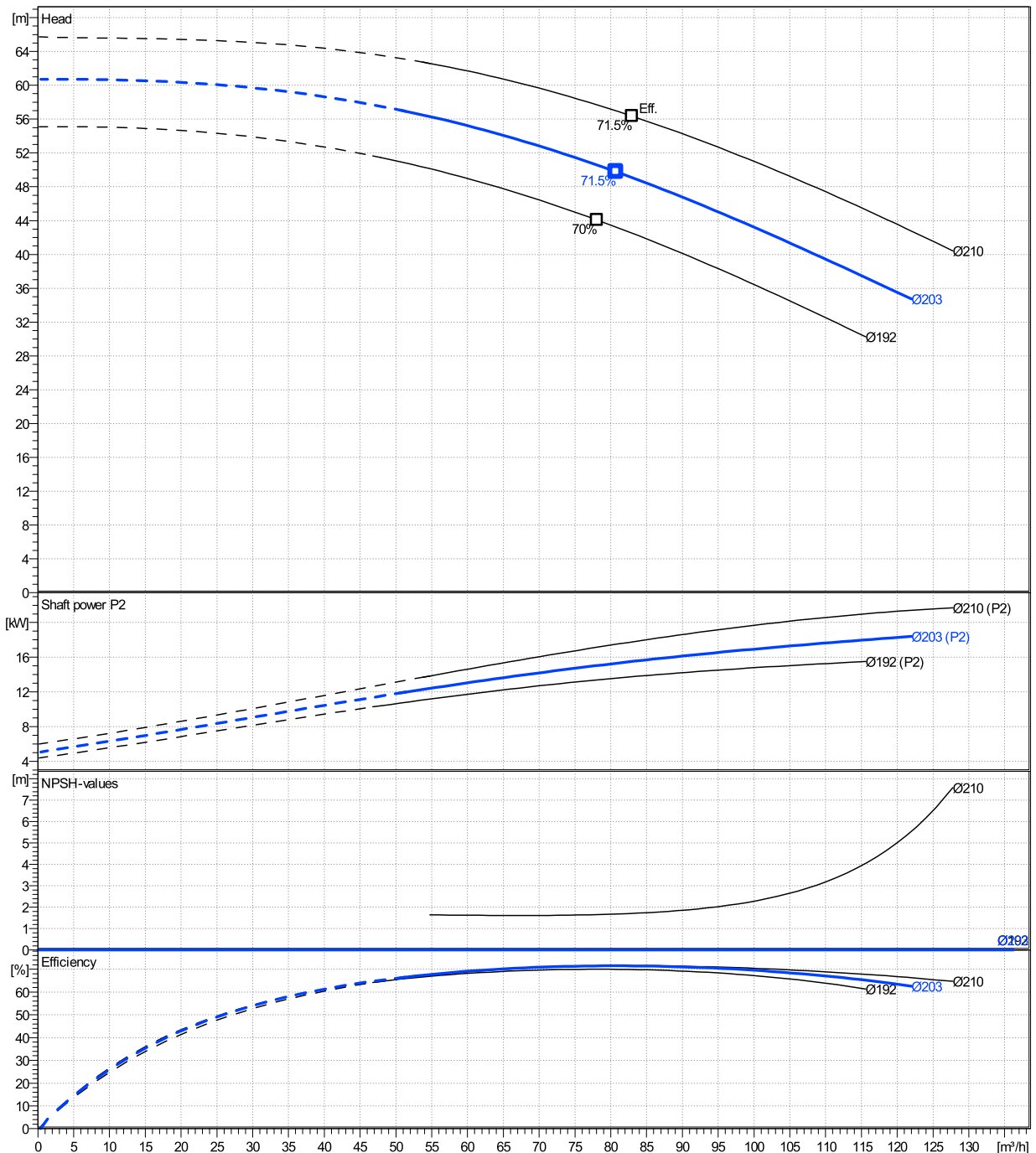
	Ø mm	Pump capacity Operating range			Pump head		Shaft power P2			Frequency		Hz	50
		Min. m³/h	Max. m³/h	η Max. m³/h	H(Q=0) m	η Max. m	P2(Q=0) kW	Max. kW	η Max. kW	Operating speed rpm	2900		
actual	203	51.3	122	80.7	60.7	49.8		18.4	15.3	Nominal flow	m³/h	0	
Min.	0	/	/	78.1	55.1	44.1		/	13.4	Nominal head	m	0	
Max.	210	/	/	83	65.7	56.3		/	17.8	Inlet pressure	kPa	0	
										Static head	m	0	

**Power datas referred to:**

hydr. Performance acceptance acc. To EN ISO 9906 Class Grade 3B

Water, pure [100%] ; 4°C; 1000kg/m³; 1.57mm²/s

MEI: N.A - according to Ecodesign Directive 2009/125/EC and Regulation (EU) No.547/2012



**ESHS 65-200/185/P25VSNA**

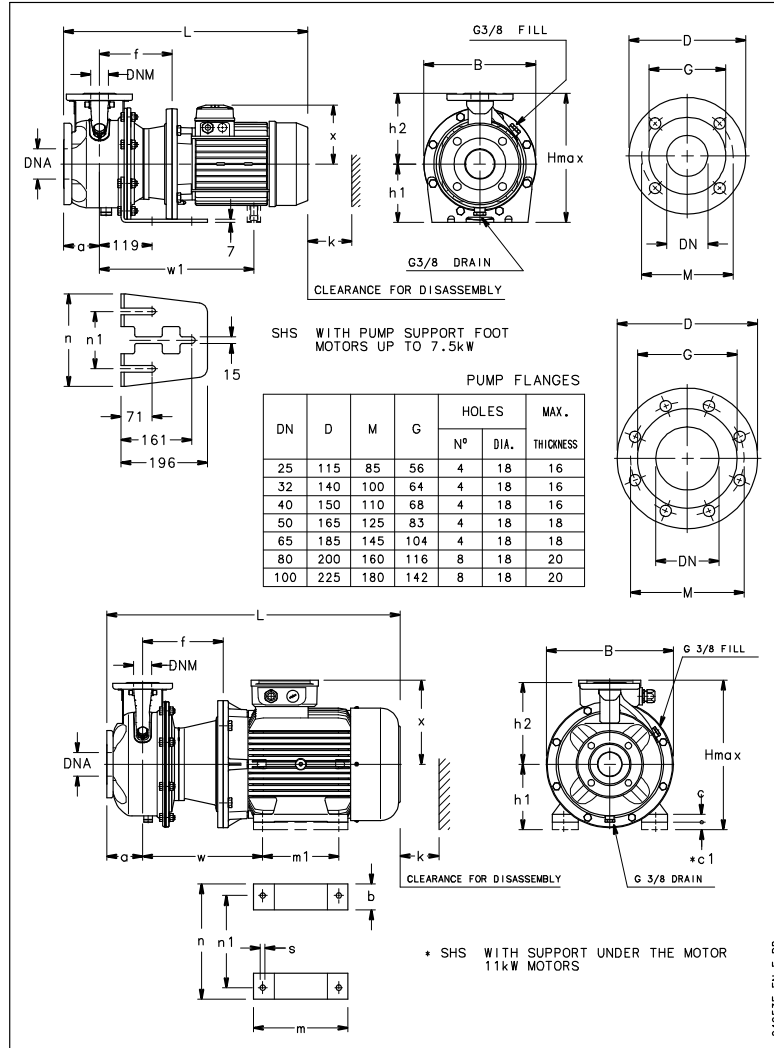
**Dimensions**

Company name  
Contact  
Phone number  
e-mail address

Rigid coupling

PLM 160 B35 18,5 kW

Electrical and dimensional data refer to IE3 motor



Dimensions		[ mm ]	
a	100		
B	350		
b	49		
c	5		
DNA	80		
DNM	65		
f	222		
h1	180		
h2	225		
Hmax	420		
k	130		
L	816		
m	304		
m1	254		
n	304		
n1	254		
s	15		
w	330		
x	240		

Weight	
Total weight	153 kg

Connections			
<b>Suction nozzle</b>		<b>Discharge nozzle</b>	
DN 80		DN 65	
PN 16		PN 16	
EN1092-1		EN1092-1	
D	200	D	185
Dia. Holes	18	Dia. Holes	18
DN	80	DN	65
G	114	G	104
M	160	M	145
Max thickness	20	Max thickness	18

**Dimensions and weight without obligation**

Project Xylect-20117698  
Block ESHS 65-200/220/P25VSNA

Created by  
Created on 12/18/2024

Last update 12/18/2024