

ESHS 80-160/185/P26PSNA

Technical data

Company name
Contact
Phone number
e-mail address

Operating data						
1	Pumpe type	Single head pump		Fluid	Water, pure	
2	No. of pumps	1		Operating temperature t A	°F	39.2
3	Nominal flow	US g.p.m.	0	Max / Min Operating Temperature mech. Seal	°F	120 / -10
4	Nominal head	ft	0	pH-value at t A		7
5	Static head	ft	0	Density at t A	lb/ft ³	62.4
6	Inlet pressure	psi	0	Kin. viscosity at t A	ft ² /s	1.689E-5
7	Environmental temperature	°F	68	Vapor pressure at t A	psi	14.5
8	Available system NPSH	ft	0	Altitude		0

Pump data							
9	Lubrication	Standard, Grease lubrication [Std]					
10	Execution						
11	Design	Horizontal		Impeller Ø	Max.	inch 6 7/16	
12	Operating speed	3500 rpm	Stages 1		designed	inch 6 7/16	
13	Suction nozzle	DN 100 /	PN 16 /	EN1092-1	Min.	inch 6 1/8	
14	Discharge nozzle	DN 80 /	PN 16 /	EN1092-1	Flow	Nominal US g.p.m.	
15	Max. casing pressure	psi	174			Max- US g.p.m.	845.4
16	Max. working pressure	psi	61.6		Min- US g.p.m.	317	
17	Impeller type	Radial impeller		Head	Nominal	ft	
18	Head H(Q=0)	ft	140		at Qmax	ft	76.2
19	Max. shaft power	hp	24.8		at Qmin	ft	141.9
20	Pump weight	kg		Shaft power	hp		
21	Total weight	lb	352.7	Efficiency	%		
				NPSH 3%	ft		

Materials					
22		Pump		Shaft Seal	
23	Pump body	Stainless steel / AISI 316L		Single mechanical seal, without shaft sleeve	
24	Impeller	Stainless steel / ASTMCF8M		Uniten 3K	VBVGG
25	SEAL HOUSING	Stainless steel / AISI 316L		Mechanical seal diameter	1 1/8 inch
26	Wear ring	Stainless steel / AISI 316L		1. Rotating ring	Ceramic
27	Counterwear ring	Stainless steel / AISI 316L		2. Stationary ring	Carbon graphite resin impregnated
28	Rigid shaft coupling	Stainless steel / AISI 316L		3. Secondary seal	Fluorine rubber (FKM)
29	Impeller locknut and washer	Stainless steel / AISI 316		4. Springs	CrNiMo - Steel
30	Tab	Stainless steel / AISI 316L		5. Others	CrNiMo - Steel
31	Fill/drain plugs	Stainless steel / AISI 316		Gaskets of the pump	Fluorine rubber (FKM)
32					
33					
34					
35					
36					
37					
38					
39					
40					
41					

Motor data					
Electrical and dimensional data refer to IE3 motor					
42	Manufacturer	Lowara PLM			
43	Specific design	IE3 3ph Flange Motor - Premium Efficiency			
44	Type	PLM 160 B35 18,5 kW			
45	Rated power	24.809 hp	Rated current	58.3 A	
46	Nominal speed	3540 rpm	Rated voltage	220 V	
47	Frame size	160	Service factor	1	
48	Weight	lb 246.9	Degree of protection	IP55	

Remarks					
49					
50					
50					
52					

ESHS 80-160/185/P26PSNA

Performance curve

Company name
Contact
Phone number
e-mail address

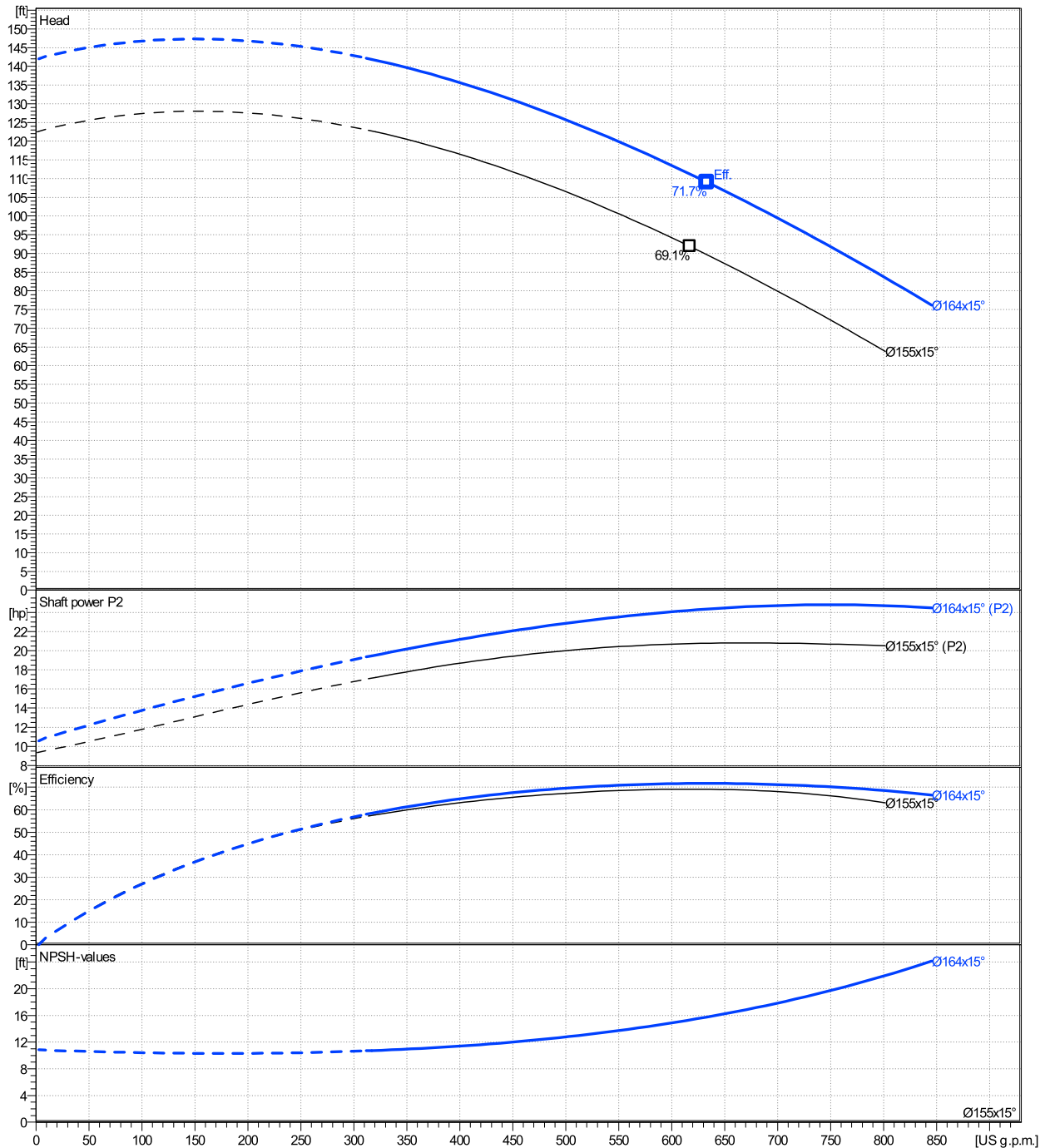
	Ø mm	Pump capacity Operating range η			Pump head H(Q=0) η		Shaft power P2 P2(Q=0) η			Frequency	Hz	60
		Min. US g.p.m.	Max. US g.p.m.	Max. US g.p.m.	H(Q=0) ft	η ft	Max. hp	η hp	Max. hp	Operating speed rpm	3500	
actual	6 7/16	317	845	633	142	109		24.8	24.4	Nominal flow	US g.p.m.	0
Min.	0	/	/	617	122	91.9		/	20.7	Nominal head	ft	0
Max.	6 7/16	/	/	633	142	109		/	24.4	Inlet pressure	psi	0
										Static head	ft	0

Power datas referred to:

hydr. Performance acceptance acc. To EN ISO 9906 Class Grade 3B

Water, pure [100%] ; 39.2°F; 62.4lb/ft³; 1.69E-5ft²/s

MEI: N.A - according to Ecodesign Directive 2009/125/EC and Regulation (EU) No.547/2012



Project Block	Xylect-20183008 ESHS 80-160/185/P26PSNA	Created by		Last update	1/12/2025
		Created on	1/12/2025		

ESHS 80-160/185/P26PSNA

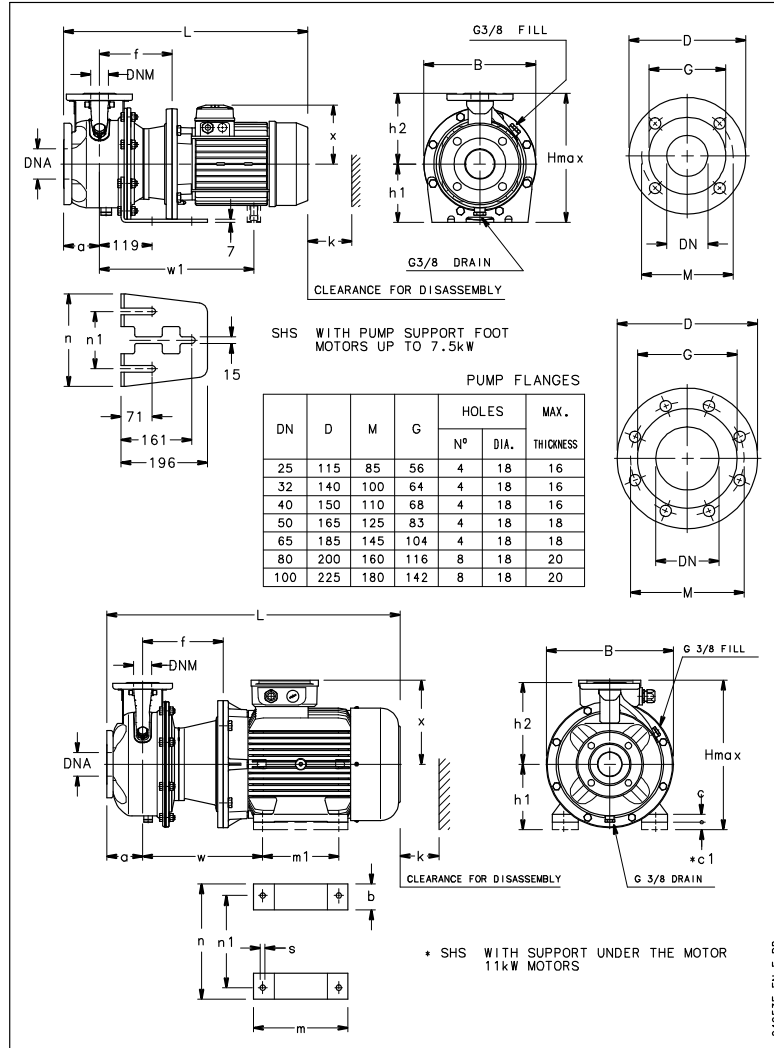
Dimensions

Company name
Contact
Phone number
e-mail address

Rigid coupling

PLM 160 B35 18,5 kW

Electrical and dimensional data refer to IE3 motor



Dimensions		[inch]	
a	4 ¹⁵ / ₁₆		
B	13 ³ / ₄		
b	1 ¹⁵ / ₁₆		
c	3 ¹ / ₁₆		
DNA	3 ¹⁵ / ₁₆		
DNM	3 ¹ / ₈		
f	8 ³ / ₄		
h1	7 ¹ / ₁₆		
h2	8 ⁷ / ₈		
Hmax	16 ⁹ / ₁₆		
k	6 ⁵ / ₁₆		
L	33 ¹ / ₈		
m	11 ¹⁵ / ₁₆		
m1	10		
n	11 ¹⁵ / ₁₆		
n1	10		
s	9 ¹ / ₁₆		
w	13		
x	9 ⁷ / ₁₆		

Weight	
Total weight	160 kg

Connections	
Suction nozzle	Discharge nozzle
DN 100	DN 80
PN 16	PN 16
EN1092-1	EN1092-1
D	8 ⁷ / ₈
Dia. Holes	11 ¹ / ₁₆
DN	3 ¹⁵ / ₁₆
G	5 ⁹ / ₁₆
M	7 ¹ / ₁₆
Max thickness	13

Dimensions and weight without obligation

Project	Xylect-20183008	Created by		Last update	1/12/2025
Block	ESHS 80-160/185/P26PSNA	Created on	1/12/2025		