

# LNEE 100-160/185/P26PCC4

## Technical data

Company name  
Contact  
Phone number  
e-mail address

Operating data					
1	Pumpe type	Single head pump		Fluid	Water
2	No. of pumps	1		Operating temperature t A	°F 39.2
3	Nominal flow	US g.p.m.	0	Max / Min Operating Temperature mech. Seal	°F 120 / -25
4	Nominal head	ft	0	pH-value at t A	7
5	Static head	ft	0	Density at t A	lb/ft <sup>3</sup> 62.4
6	Inlet pressure	psi	0	Kin. viscosity at t A	ft <sup>2</sup> /s 1.689E-5
7	Environmental temperature	°F	68	Vapor pressure at t A	psi 14.5
8	Available system NPSH	ft	0	Altitude	0

Pump data					
9	Lubrication	Standard, Grease lubrication [Std]			
10	Execution				
11	Design	In-Line single head		Impeller Ø	Max. inch 6
12	Operating speed	3500 rpm	Stages 1		designed inch 5 11/16
13	Suction nozzle	DN 100 /	PN 16 /	EN1092-2	Min. inch 5 11/16
14	Discharge nozzle	DN 100 /	PN 16 /	EN1092-2	Flow
15	Max. casing pressure	psi			Nominal US g.p.m.
16	Max. working pressure	psi	52.8		Max- US g.p.m. 1047.9
17	Impeller type	Radial impeller			Min- US g.p.m. 233.4
18	Head H(Q=0)	ft	120	Head	Nominal ft
19	Max. shaft power	hp	24		at Qmax ft 55.4
20	Pump weight	kg		Shaft power	at Qmin ft 120.2
21	Total weight	lb	381.4	Efficiency	%
				NPSH 3%	ft

Materials					
22		Pump		Shaft Seal	
23	Volute Casing	Cast iron		Single mechanical seal, without shaft sleeve	
24	Casing Cover	Cast iron		eMG12 - Ø28mm	BQ7EGG-WA
25	Impeller	Cast iron / ASTM Class 30		Mechanical seal diameter	1 1/8 inch
26	Stub shaft	Stainless steel / AISI 316L		1. Rotating ring	Carbon graphite resin impregnated
27	Wear ring	Stainless steel / AISI 304		2. Stationary ring	SiC, silicon carbide, sintered press.less
28	Impeller lock nut and washer	Stainless steel / AISI 304		3. Secondary seal	Ethylene propylene rubber (EPDM)
29	Impeller key	Stainless steel / AISI 316L		4. Springs	CrNiMo - Steel
30	Fill and drain plugs	Nickel-plated brass		5. Others	EPDM - WRAS
31				Gaskets of the pump	Ethylene propylene rubber (EPDM)
32					
33					
34					
35					
36					
37					
38					
39					
40					
41					

Motor data					
Electrical and dimensional data refer to IE3 motor					
42	Manufacturer	Lowara			
43	Specific design	IE3 3ph Flange Motor			
44	Type	PLM 160 B14 18,5 kW			
45	Rated power	24.809 hp	Rated current	58.7 A	
46	Nominal speed	3550 rpm	Rated voltage	220 V	
47	Frame size	160	Service factor	1	
48	Weight	lb 267.2	Degree of protection	IP55	

Remarks					
49					
50					
50					
52					

# LNEE 100-160/185/P26PCC4

## Performance curve

Company name  
Contact  
Phone number  
e-mail address

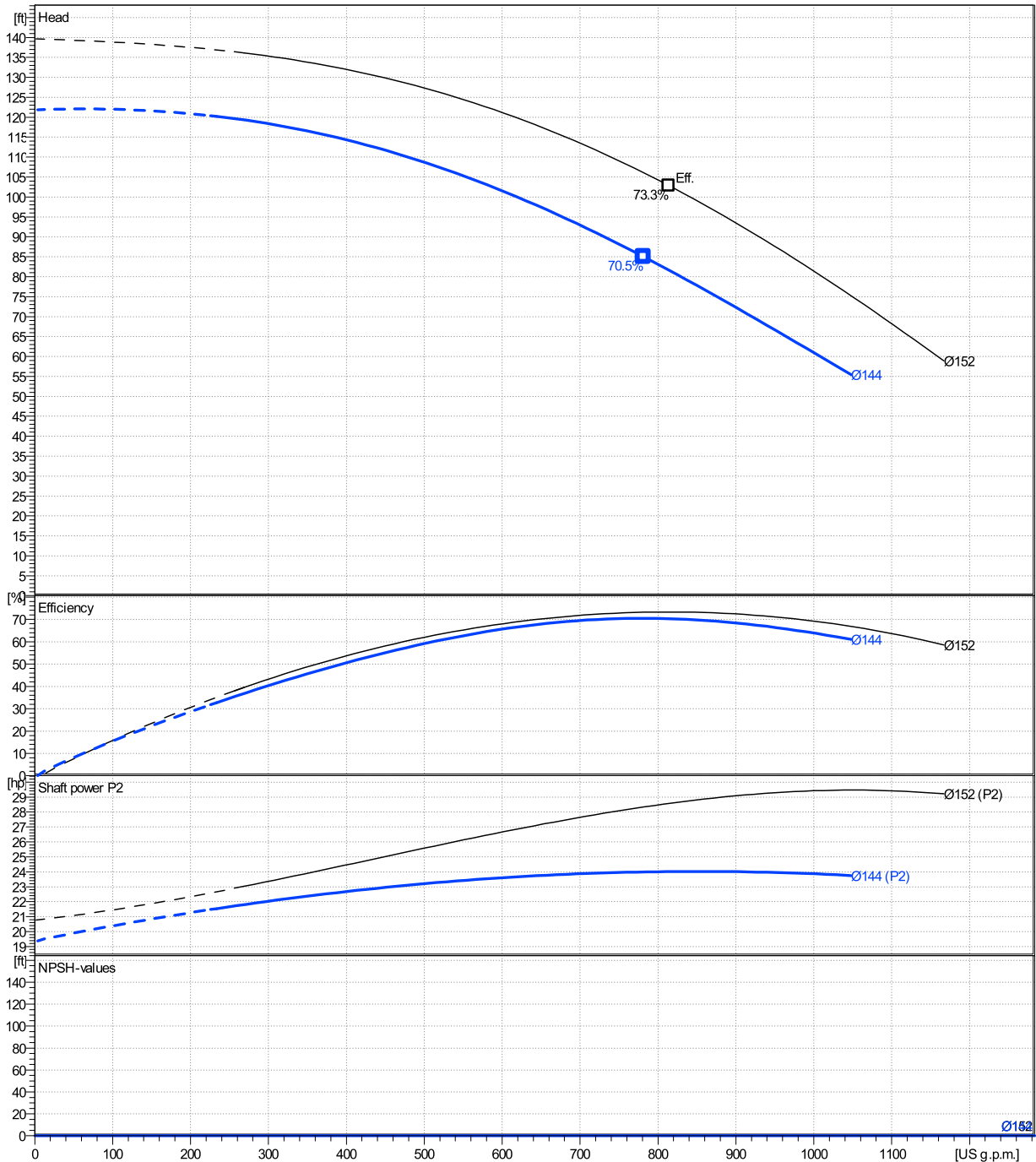
	Ø mm	Pump capacity Operating range η			Pump head H(Q=0) η		Shaft power P2 P2(Q=0) η			Frequency	Hz	
		Min. US g.p.m.	Max. US g.p.m.	Max. US g.p.m.	H(Q=0) ft	η ft	P2(Q=0) hp	Max. hp	η hp	Operating speed	rpm	
actual	5 11/16	233	1050	781	122	85	24	24	Nominal flow	US g.p.m.	0	
Min.	0	/	/	781	122	85	/	24	Nominal head	ft	0	
Max.	6	/	/	814	140	103	/	28.6	Inlet pressure	psi	0	
									Static head	ft	0	

**Power datas referred to:**

hydr. Performance acceptance acc. To EN ISO 9906 Class Grade 3B

Water [100%] ; 39.2°F ; 62.4lb/ft³ ; 1.69E-5ft²/s

MEI: N.A - according to Ecodesign Directive 2009/125/EC and Regulation (EU) No.547/2012



**LNEE 100-160/185/P26PCC4**

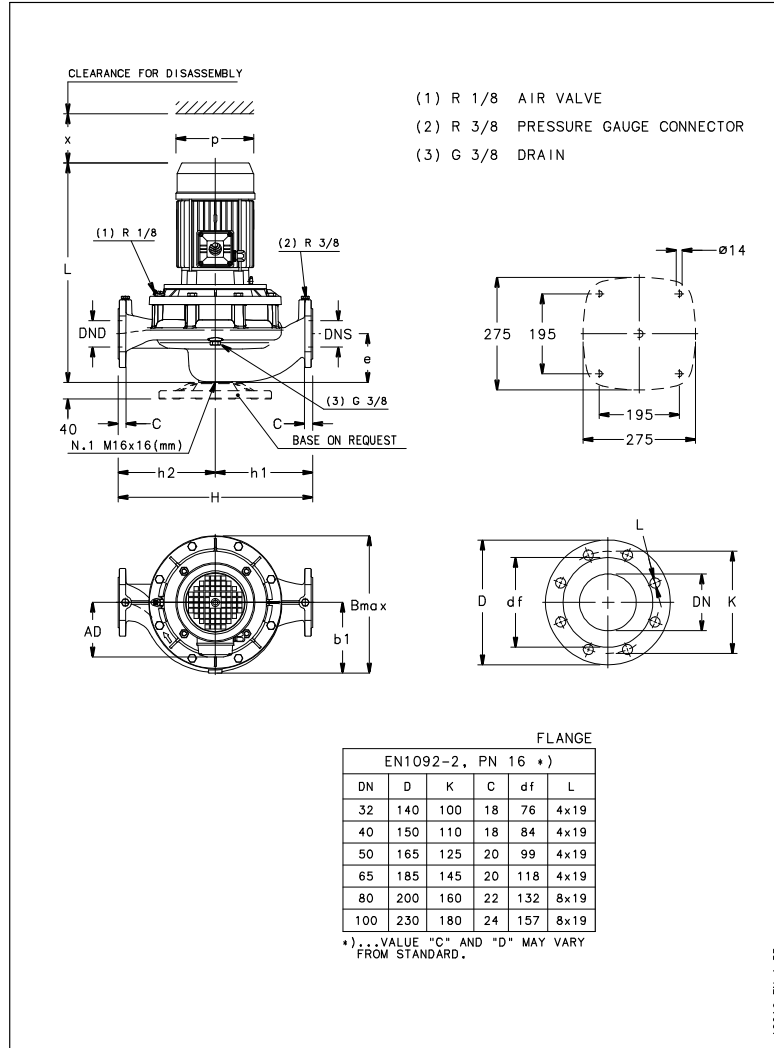
**Dimensions**

Company name  
Contact  
Phone number  
e-mail address

Close coupled

PLM 160 B14 18,5 kW

Electrical and dimensional data refer to IE3 motor



**Dimensions [ inch ]**

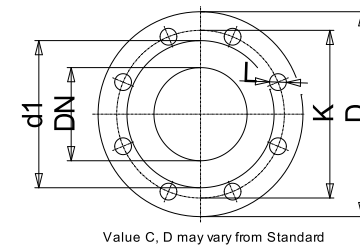
AD	9 <sup>7</sup> / <sub>16</sub>		
b1	7 <sup>1</sup> / <sub>16</sub>		
Bmax	16 <sup>1</sup> / <sub>16</sub>		
DND	3 <sup>15</sup> / <sub>16</sub>		
DNS	3 <sup>15</sup> / <sub>16</sub>		
e	5 <sup>1</sup> / <sub>2</sub>		
H	19 <sup>11</sup> / <sub>16</sub>		
h1	10 <sup>1</sup> / <sub>4</sub>		
h2	9 <sup>7</sup> / <sub>16</sub>		
L	29 <sup>11</sup> / <sub>16</sub>		
p	12 <sup>5</sup> / <sub>16</sub>		
x	4 <sup>13</sup> / <sub>16</sub>		

**Weight**

<b>Total weight</b>	<b>173 kg</b>
---------------------	---------------

**Connections**

Suction nozzle		Discharge nozzle	
DN 100		DN 100	
PN 16		PN 16	
EN1092-2		EN1092-2	
C	1 <sup>5</sup> / <sub>16</sub>	C	1 <sup>5</sup> / <sub>16</sub>
D	9 <sup>1</sup> / <sub>16</sub>	D	9 <sup>1</sup> / <sub>16</sub>
df	6 <sup>3</sup> / <sub>16</sub>	df	6 <sup>3</sup> / <sub>16</sub>
DN	3 <sup>15</sup> / <sub>16</sub>	DN	3 <sup>15</sup> / <sub>16</sub>
K	7 <sup>1</sup> / <sub>16</sub>	K	7 <sup>1</sup> / <sub>16</sub>
L	8 x 19	L	8 x 19



**Dimensions and weight without obligation**

<b>Project</b>	Xylect-20185360
<b>Block</b>	LNEE 100-160/55/P46PCC4

Created by  
Created on 1/13/2025

Last update 1/13/2025