

LNEE 100-160/40/P46PCC4

Technical data

Company name
Contact
Phone number
e-mail address

Operating data					
1	Pumpe type	Single head pump		Fluid	Water
2	No. of pumps	1		Operating temperature t A	°F 39.2
3	Nominal flow	US g.p.m.	0	Max / Min Operating Temperature mech. Seal	°F 120 / -25
4	Nominal head	ft	0	pH-value at t A	7
5	Static head	ft	0	Density at t A	lb/ft³ 62.4
6	Inlet pressure	psi	0	Kin. viscosity at t A	ft²/s 1.689E-5
7	Environmental temperature	°F	68	Vapor pressure at t A	psi 14.5
8	Available system NPSH	ft	0	Altitude	0

Pump data					
9	Lubrication	Standard, Grease lubrication [Std]			
10	Execution				
11	Design	In-Line single head		Impeller Ø	Max. inch 6 15/16
12	Operating speed	1750 rpm	Stages 1		designed inch 6 5/8
13	Suction nozzle	DN 100 /	PN 16 /	EN1092-2	Min. inch 5 11/16
14	Discharge nozzle	DN 100 /	PN 16 /	EN1092-2	Flow
15	Max. casing pressure	psi			Nominal US g.p.m.
16	Max. working pressure	psi	18.7		Max- US g.p.m. 682.4
17	Impeller type	Radial impeller		Head	Min- US g.p.m. 145.3
18	Head H(Q=0)	ft	43		Nominal ft
19	Max. shaft power	hp	5.1		at Qmax ft 16.8
20	Pump weight	kg		at Qmin ft 41.2	Shaft power hp
21	Total weight	lb	251.3		Efficiency %
					NPSH 3% ft

Materials					
22		Pump		Shaft Seal	
23	Volute Casing	Cast iron		Single mechanical seal, without shaft sleeve	
24	Casing Cover	Cast iron		eMG12 - Ø28mm	BQ7EGG-WA
25	Impeller	Cast iron / ASTM Class 30		Mechanical seal diameter	1 1/8 inch
26	Stub shaft	Stainless steel / AISI 316L		1. Rotating ring	Carbon graphite resin impregnated
27	Wear ring	Stainless steel / AISI 304		2. Stationary ring	SiC, silicon carbide, sintered press.less
28	Impeller lock nut and washer	Stainless steel / AISI 304		3. Secondary seal	Ethylene propylene rubber (EPDM)
29	Impeller key	Stainless steel / AISI 316L		4. Springs	CrNiMo - Steel
30	Fill and drain plugs	Nickel-plated brass		5. Others	EPDM - WRAS
31				Gaskets of the pump	Ethylene propylene rubber (EPDM)
32					
33					
34					
35					
36					
37					
38					
39					
40					
41					

Motor data					
Electrical and dimensional data refer to IE3 motor					
42	Manufacturer	Lowara			
43	Specific design	IE3 3ph Flange Motor			
44	Type	PLM 112 B14 4 kW			
45	Rated power	5.3641 hp	Rated current	14.8 A	
46	Nominal speed	1746 rpm	Rated voltage	220 V	
47	Frame size	112	Service factor	1	
48	Weight	lb 119.0	Degree of protection	IP55	

Remarks					
49					
50					
50					
52					

LNEE 100-160/40/P46PCC4

Performance curve

Company name
Contact
Phone number
e-mail address

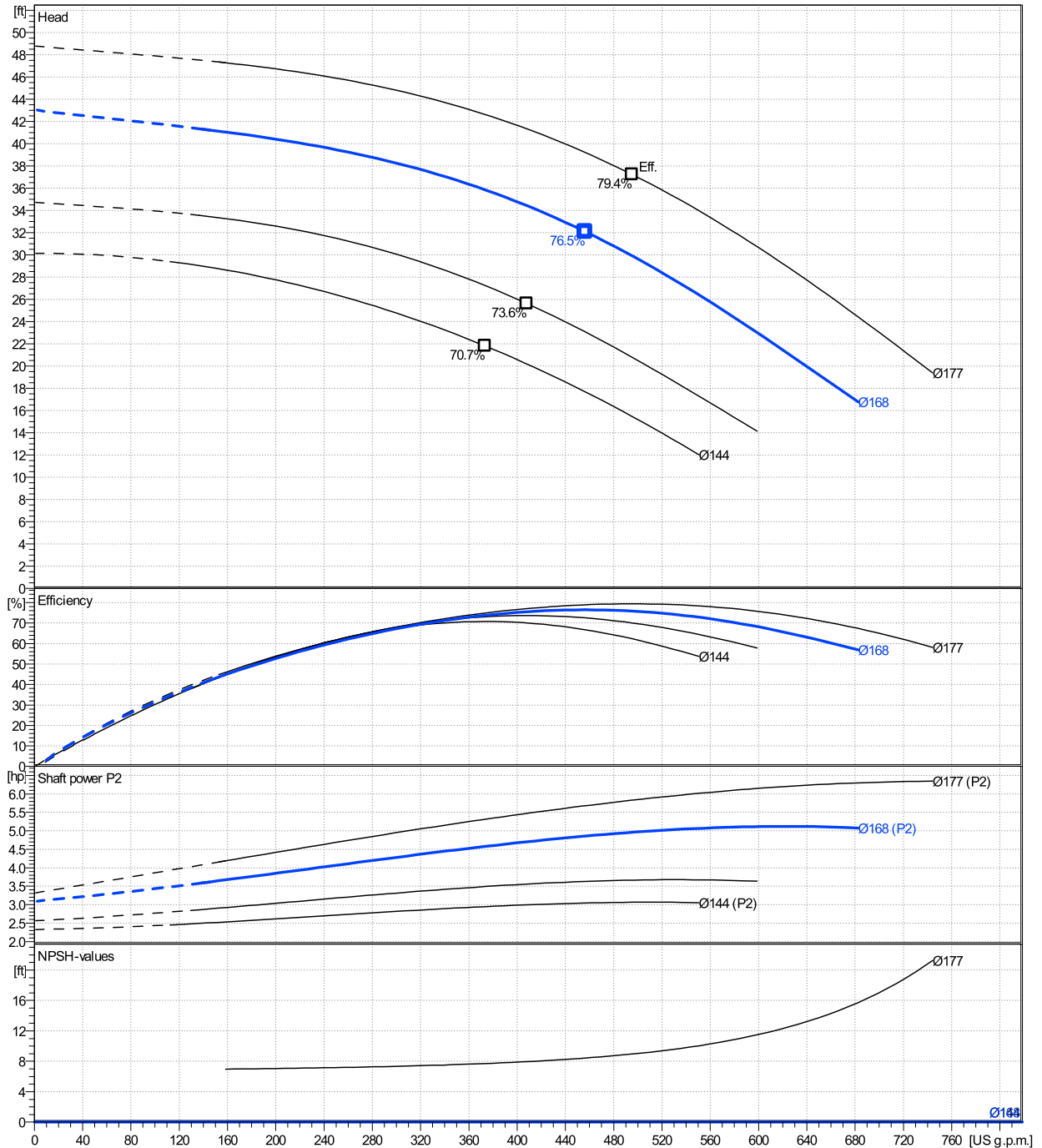
	Ø mm	Pump capacity Operating range η			Pump head H(Q=0) η		Shaft power P2 P2(Q=0) η			Frequency Hz	
		Min. US g.p.m.	Max. US g.p.m.	Max. US g.p.m.	ft	ft	hp	Max. hp	η hp	rpm	
actual	6 5/8	145	682	456	43	32.1	5.12	4.86	60	1750	
Min.	0	/	/	373	30.1	21.8	/	2.95		0	
Max.	6 15/16	/	/	495	48.8	37.2	/	5.83		0	
										Nominal flow	US g.p.m.
										Nominal head	ft
										Inlet pressure	psi
										Static head	ft

Power datas referred to:

hydr. Performance acceptance acc. To EN ISO 9906 Class Grade 3B

Water [100%] ; 39.2°F; 62.4lb/ft³; 1.69E-5ft²/s

MEI: N.A. - according to Ecodesign Directive 2009/125/EC and Regulation (EU) No.547/2012



LNEE 100-160/40/P46PCC4

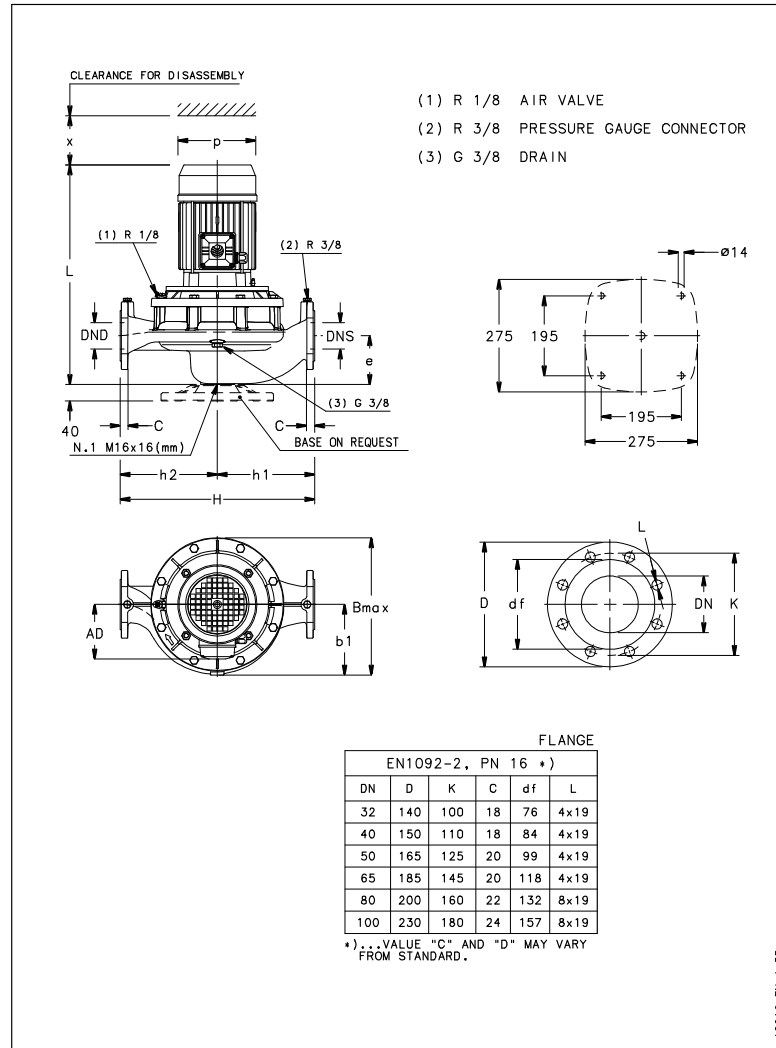
Dimensions

Company name
Contact
Phone number
e-mail address

Close coupled

PLM 112 B14 4 kW

Electrical and dimensional data refer to IE3 motor



Dimensions [inch]

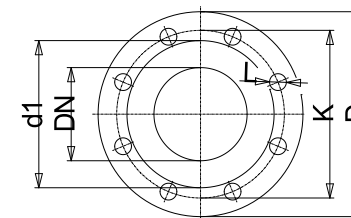
AD	6 ⁵ / ₈
b1	7 ¹ / ₁₆
Bmax	13 ¹¹ / ₁₆
DND	3 ¹⁵ / ₁₆
DNS	3 ¹⁵ / ₁₆
e	5 ¹ / ₂
H	19 ¹¹ / ₁₆
h1	10 ¹ / ₄
h2	9 ⁷ / ₁₆
L	25 ¹ / ₄
p	7 ¹³ / ₁₆
x	4 ¹³ / ₁₆

Weight

Total weight	114 kg
--------------	--------

Connections

Suction nozzle		Discharge nozzle	
DN 100		DN 100	
PN 16		PN 16	
EN1092-2		EN1092-2	
C	1 ⁵ / ₁₆	C	1 ⁵ / ₁₆
D	9 ¹ / ₁₆	D	9 ¹ / ₁₆
df	6 ³ / ₁₆	df	6 ³ / ₁₆
DN	3 ¹⁵ / ₁₆	DN	3 ¹⁵ / ₁₆
K	7 ¹ / ₁₆	K	7 ¹ / ₁₆
L	8 x 19	L	8 x 19



Value C, D may vary from Standard

Dimensions and weight without obligation

Project Xylect-20185360
Block LNEE 100-160/55/P46PCC4

Created by
Created on 1/13/2025

Last update 1/13/2025