

LNEE 32-160/03/X45RCS4

Technical data

Company name
Contact
Phone number
e-mail address

Operating data					
1	Pumpe type	Single head pump		Fluid	Water
2	No. of pumps	1		Operating temperature t A	°C 4
3	Nominal flow	m ³ /h	0	Max / Min Operating Temperature mech. Seal	°C 120 / -25
4	Nominal head	m	0	pH-value at t A	7
5	Static head	m	0	Density at t A	kg/m ³ 1000
6	Inlet pressure	kPa	0	Kin. viscosity at t A	mm ² /s 1.569
7	Environmental temperature	°C	20	Vapor pressure at t A	kPa 100
8	Available system NPSH	m	0	Altitude	0

Pump data					
9	Lubrication	Standard, Grease lubrication [Std]			
10	Execution				
11	Design	In-Line single head		Impeller Ø	Max. mm 156
12	Operating speed	1450 rpm	Stages 1		designed mm 156
13	Suction nozzle	DN 32 /	PN 16 /		EN1092-2
14	Discharge nozzle	DN 32 /	PN 16 /	EN1092-2	Nominal m ³ /h
15	Max. casing pressure	kPa		Flow	Max- m ³ /h 16
16	Max. working pressure	kPa	83		Min- m ³ /h 2
17	Impeller type	Radial impeller		Head	Nominal m
18	Head H(Q=0)	m	8.5		at Qmax m 3.6
19	Max. shaft power	kW	.4		at Qmin m 8.5
20	Pump weight	kg		Shaft power	kW
21	Total weight	kg	27.0	Efficiency	%
				NPSH 3%	m

Materials					
22		Pump		Shaft Seal	
23	Volute Casing	Cast iron		Single mechanical seal, without shaft sleeve	
24	Casing Cover	Cast iron		eMG12 - Ø14mm	BQ7EGG-WA
25	Impeller	Stainless steel / AISI 304		Mechanical seal diameter	14 mm
26	Stub shaft	Stainless steel / AISI 316L		1. Rotating ring	Carbon graphite resin impregnated
27	Wear ring	Stainless steel / AISI 304		2. Stationary ring	SiC, silicon carbide, sintered press.less
28	Impeller lock nut and washer	Stainless steel / AISI 304		3. Secondary seal	Ethylene propylene rubber (EPDM)
29	Impeller key	Stainless steel / AISI 316L		4. Springs	CrNiMo - Steel
30	Fill and drain plugs	Nickel-plated brass		5. Others	EPDM - WRAS
31				Gaskets of the pump	Ethylene propylene rubber (EPDM)
32					
33					
34					
35					
36					
37					
38					
39					
40					
41					

Motor data					
42	Manufacturer	Xylem			
43	Specific design	IE2 3ph Flange Motor			
44	Type	LLM471B14/304			
45	Rated power	0.37 kW	Rated current	1.8 A	
46	Nominal speed	1410 rpm	Rated voltage	230 V	
47	Frame size	71	Service factor	1	
48	Weight	kg 6.0	Degree of protection	IP55	

Remarks					
49					
50					
50					
52					

LNEE 32-160/03/X45RCS4

Performance curve

Company name
Contact
Phone number
e-mail address

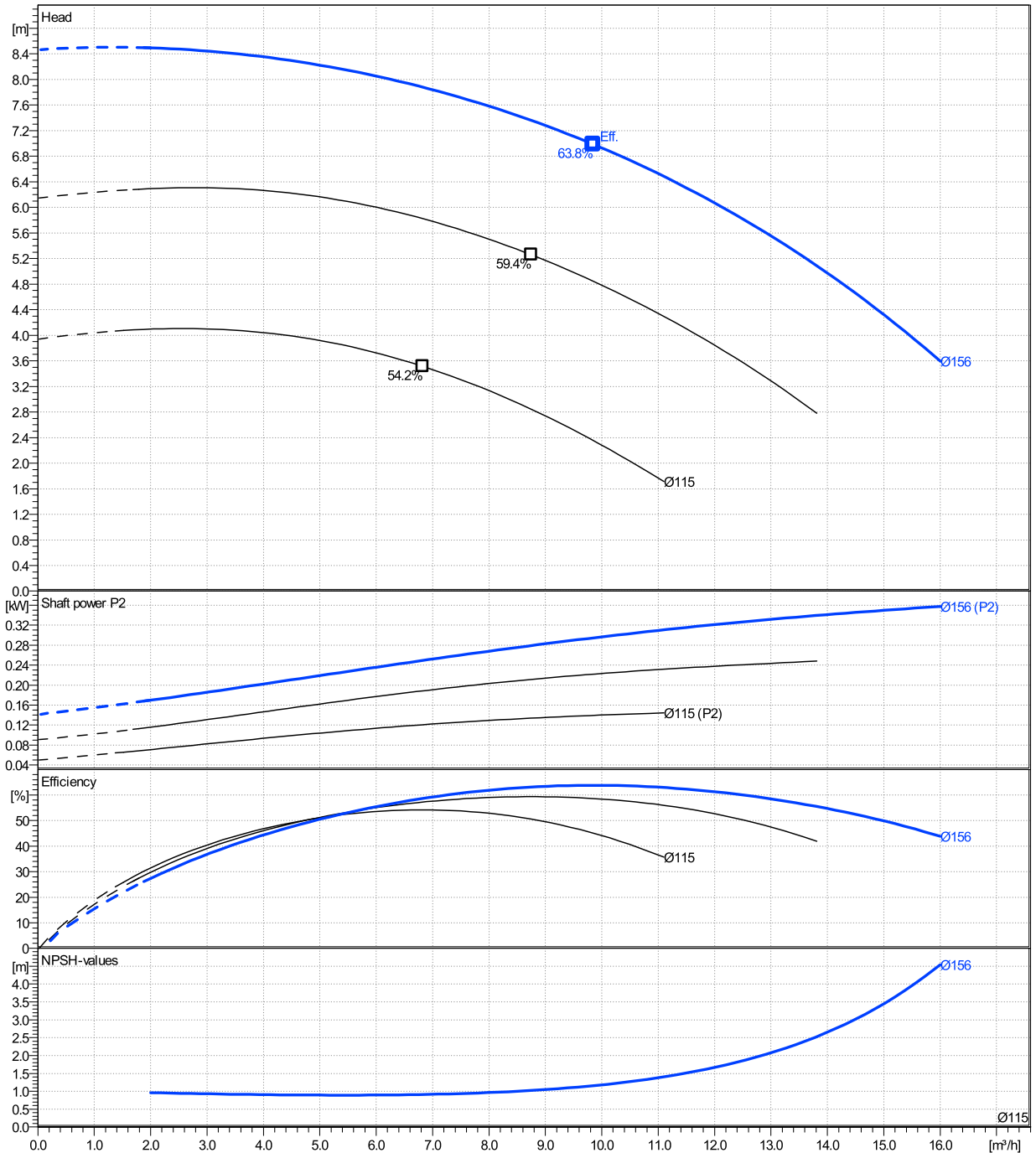
	Ø mm	Pump capacity			Pump head		Shaft power P2			Frequency	Hz	50
		Operating range Min. m³/h	Max. m³/h	η Max. m³/h	H(Q=0) m	η Max. m	P2(Q=0) kW	Max. kW	η Max. kW	Operating speed	rpm	1450
actual	156	2	16	9.84	8.47	6.99		0.357	0.295	Nominal flow	m³/h	0
Min.	0	/	/	6.82	3.94	3.51		/	0.121	Nominal head	m	0
Max.	156	/	/	9.84	8.47	6.99		/	0.295	Inlet pressure	kPa	0
										Static head	m	0

Power datas referred to:

hydr. Performance acceptance acc. To EN ISO 9906 Class Grade 3B

Water [100%] ; 4°C; 1000kg/m³; 1.57mm²/s

MEI: N.A - according to Ecodesign Directive 2009/125/EC and Regulation (EU) No.547/2012



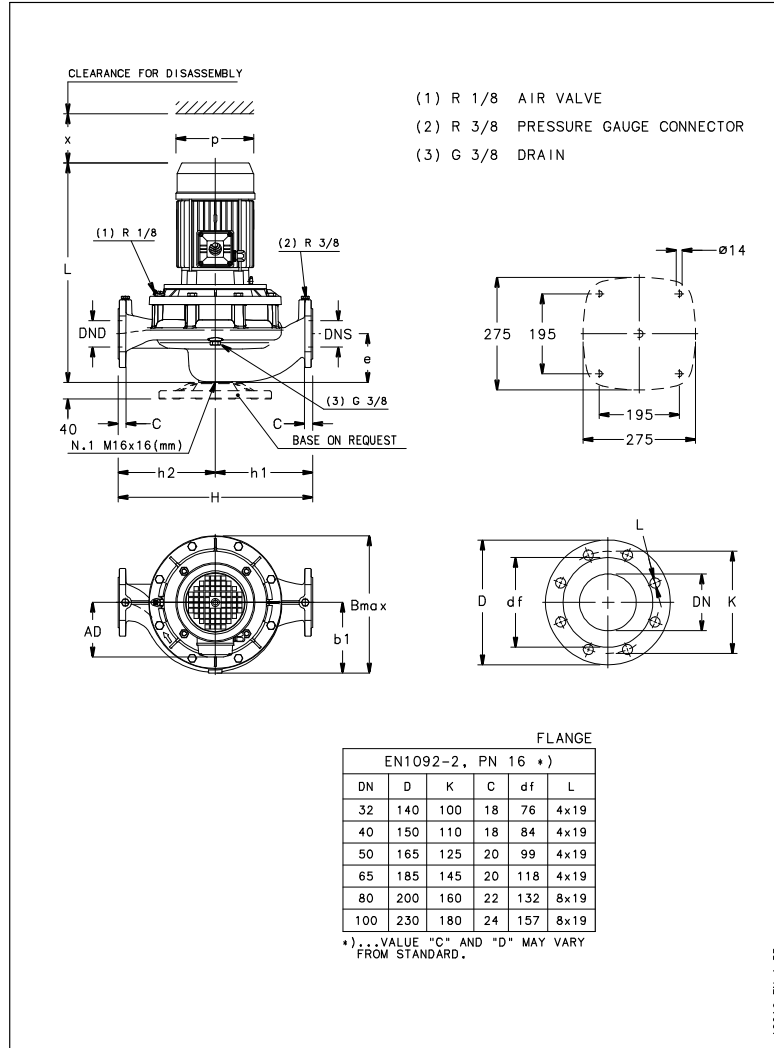
LNEE 32-160/03/X45RCS4

Dimensions

Company name
Contact
Phone number
e-mail address

Close coupled

LLM471B14/304



Dimensions [mm]

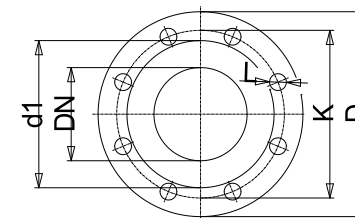
AD	121
b1	123
Bmax	243
DND	32
DNS	32
e	90
H	320
h1	160
h2	160
L	421
p	140
x	75

Weight

Total weight	27 kg
--------------	-------

Connections

Suction nozzle		Discharge nozzle	
DN 32		DN 32	
PN 16		PN 16	
EN1092-2		EN1092-2	
C	18	C	18
D	140	D	140
df	76	df	76
DN	32	DN	32
K	100	K	100
L	4 x 19	L	4 x 19



Value C, D may vary from Standard

Dimensions and weight without obligation

Project	Xylect-20127611	Created by		Last update	12/20/2024
Block	LNEE 32-160/30/P25RCS4	Created on	12/20/2024		