

# LNEE 32-160/03/X46RCS4

## Technical data

Company name  
Contact  
Phone number  
e-mail address

Operating data				
1	Pumpe type	Single head pump	Fluid	Water
2	No. of pumps	1	Operating temperature at t A	°F 39.2
3	Nominal flow	US g.p.m. 0	Max / Min Operating Temperature mech. Seal	°F 120 / -25
4	Nominal head	ft 0	pH-value at t A	7
5	Static head	ft 0	Density at t A	lb/ft <sup>3</sup> 62.4
6	Inlet pressure	psi 0	Kin. viscosity at t A	ft <sup>2</sup> /s 1.689E-5
7	Environmental temperature	°F 68	Vapor pressure at t A	psi 14.5
8	Available system NPSH	ft 0	Altitude	0

Pump data				
9	Lubrication	Standard, Grease lubrication [Std]		
10	Execution			
11	Design	In-Line single head		Impeller Ø
12	Operating speed	1750 rpm	Stages	1
13	Suction nozzle	DN 32 / PN 16 / EN1092-2		
14	Discharge nozzle	DN 32 / PN 16 / EN1092-2		
15	Max. casing pressure	psi		
16	Max. working pressure	psi 12.1		
17	Impeller type	Radial impeller		Head
18	Head H(Q=0)	ft 28		
19	Max. shaft power	hp .5		
20	Pump weight	kg		
21	Total weight	lb 59.5		

Materials				
22		<b>Pump</b>	<b>Shaft Seal</b>	
23	Volute Casing	Cast iron	Single mechanical seal, without shaft sleeve	
24	Casing Cover	Cast iron	eMG12 - Ø14mm	BQ7EGG-WA
25	Impeller	Stainless steel / AISI 304	Mechanical seal diameter	9/16 inch
26	Stub shaft	Stainless steel / AISI 316L	1. Rotating ring	Carbon graphite resin impregnated
27	Wear ring	Stainless steel / AISI 304	2. Stationary ring	SiC, silicon carbide, sintered press.less
28	Impeller lock nut and washer	Stainless steel / AISI 304	3. Secondary seal	Ethylene propylene rubber (EPDM)
29	Impeller key	Stainless steel / AISI 316L	4. Springs	CrNiMo - Steel
30	Fill and drain plugs	Nickel-plated brass	5. Others	EPDM - WRAS
31			Gaskets of the pump	Ethylene propylene rubber (EPDM)
32				
33				
34				
35				
36				
37				
38				
39				
40				
41				

Motor data				
42	Manufacturer	Xylem		
43	Specific design	IE2 3ph Flange Motor		
44	Type	LLM471B14/304		
45	Rated power	0.49618 hp	Rated current	1.6 A
46	Nominal speed	1725 rpm	Rated voltage	265 V
47	Frame size	71	Service factor	1
48	Weight	lb 13.2	Degree of protection	IP55

Remarks				
49				
50				
50				
52				

# LNEE 32-160/03/X46RCS4

## Performance curve

Company name  
Contact  
Phone number  
e-mail address

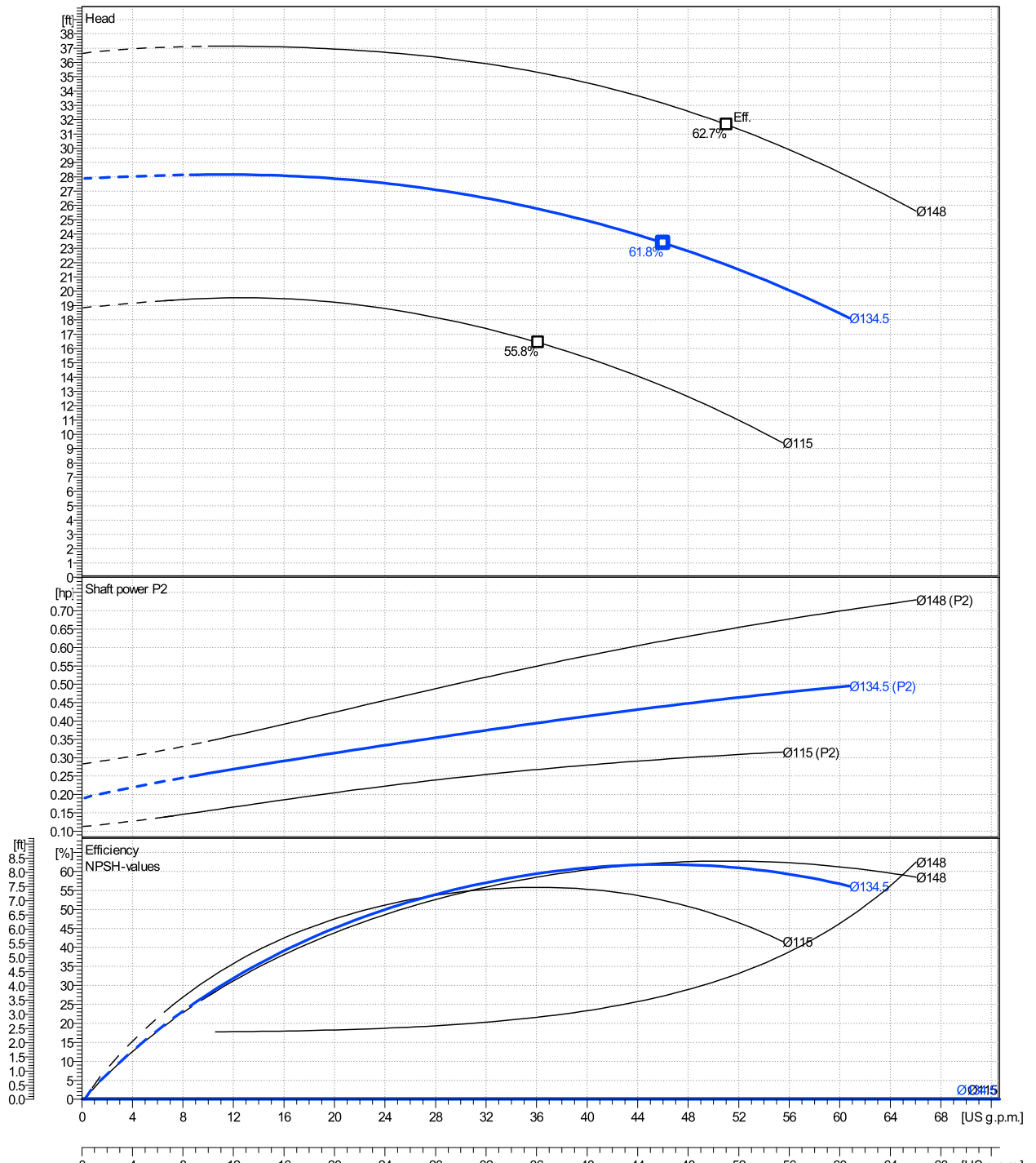
	Ø mm	Pump capacity Operating range η			Pump head H(Q=0) η		Shaft power P2 P2(Q=0) η			Frequency Hz	
		Min. US g.p.m.	Max. US g.p.m.	Max. US g.p.m.	ft	ft	hp	hp	hp	rpm	
actual	5 1/4	9.15	60.8	46	27.9	23.4	0.495	0.44	60	1750	
Min.	0	/	/	36.1	18.9	16.4	/	0.268		0	
Max.	5 13/16	/	/	51	36.6	31.6	/	0.649		0	

**Power datas referred to:**

hydr. Performance acceptance acc. To EN ISO 9906 Class Grade 3B

Water [100%] ; 39.2°F; 62.4lb/ft³; 1.69E-5ft²/s

MEI: N.A - according to Ecodesign Directive 2009/125/EC and Regulation (EU) No.547/2012



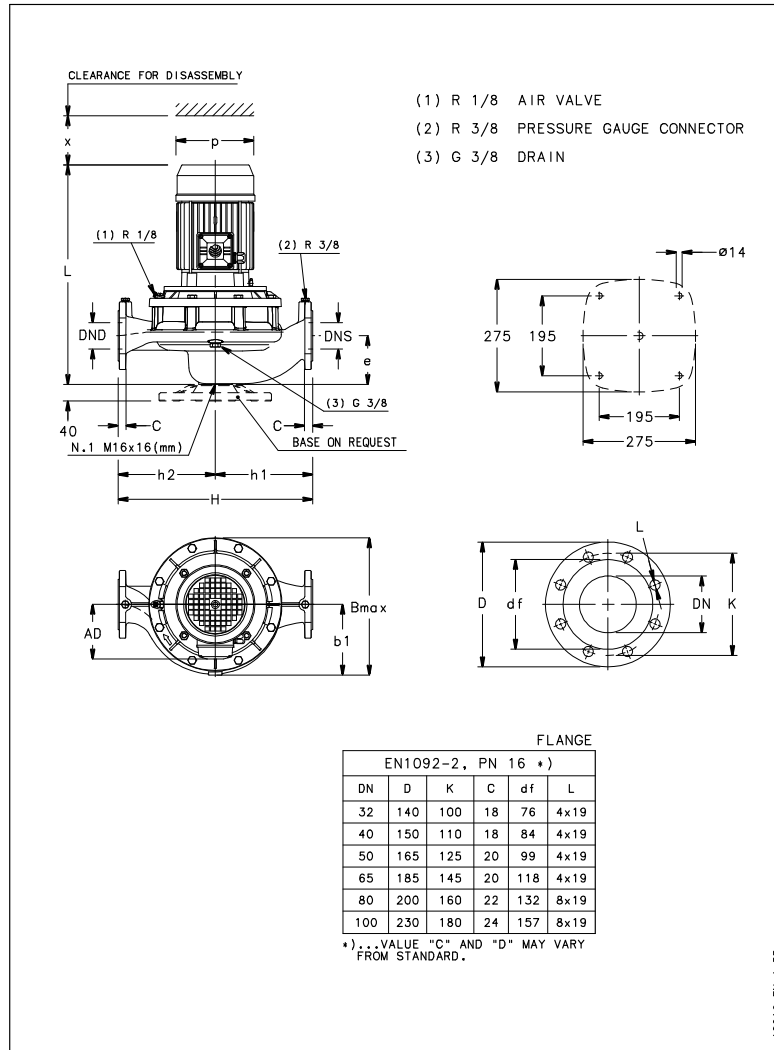
**LNEE 32-160/03/X46RCS4**

**Dimensions**

Company name  
Contact  
Phone number  
e-mail address

Close coupled

LLM471B14/304



**Dimensions [ inch ]**

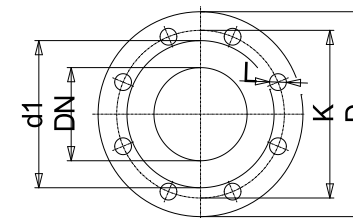
AD	4 <sup>3</sup> / <sub>4</sub>		
b1	4 <sup>13</sup> / <sub>16</sub>		
Bmax	9 <sup>9</sup> / <sub>16</sub>		
DND	1 <sup>1</sup> / <sub>4</sub>		
DNS	1 <sup>1</sup> / <sub>4</sub>		
e	3 <sup>9</sup> / <sub>16</sub>		
H	12 <sup>9</sup> / <sub>8</sub>		
h1	6 <sup>5</sup> / <sub>16</sub>		
h2	6 <sup>5</sup> / <sub>16</sub>		
L	16 <sup>9</sup> / <sub>16</sub>		
p	5 <sup>1</sup> / <sub>2</sub>		
x	2 <sup>15</sup> / <sub>16</sub>		

**Weight**

Total weight 27 kg

**Connections**

Suction nozzle		Discharge nozzle	
DN 32		DN 32	
PN 16		PN 16	
EN1092-2		EN1092-2	
C	1 <sup>1</sup> / <sub>16</sub>	C	1 <sup>1</sup> / <sub>16</sub>
D	5 <sup>1</sup> / <sub>2</sub>	D	5 <sup>1</sup> / <sub>2</sub>
df	3	df	3
DN	1 <sup>1</sup> / <sub>4</sub>	DN	1 <sup>1</sup> / <sub>4</sub>
K	3 <sup>15</sup> / <sub>16</sub>	K	3 <sup>15</sup> / <sub>16</sub>
L	4 x 19	L	4 x 19



Value C, D may vary from Standard

**Dimensions and weight without obligation**

Project Xylect-20185360  
Block LNEE 32-160/40/P26PCS4

Created by  
Created on 1/13/2025

Last update 1/13/2025