

# LNEE 40-160/07/X45RCS4

## Technical data

Company name  
Contact  
Phone number  
e-mail address

Operating data			
1	Pumpe type	Single head pump	Fluid Water
2	No. of pumps	1	Operating temperature t A °C 4
3	Nominal flow	m <sup>3</sup> /h 0	Max / Min Operating Temperature mech. Seal °C 120 / -25
4	Nominal head	m 0	pH-value at t A 7
5	Static head	m 0	Density at t A kg/m <sup>3</sup> 1000
6	Inlet pressure	kPa 0	Kin. viscosity at t A mm <sup>2</sup> /s 1.569
7	Environmental temperature	°C 20	Vapor pressure at t A kPa 100
8	Available system NPSH	m 0	Altitude 0

Pump data			
9	Lubrication	Standard, Grease lubrication [Std]	
10	Execution		
11	Design	In-Line single head	
12	Operating speed	1450 rpm	Stages 1
13	Suction nozzle	DN 40 / PN 16 / EN1092-2	Impeller Ø
14	Discharge nozzle	DN 40 / PN 16 / EN1092-2	
15	Max. casing pressure	kPa	Flow
16	Max. working pressure	kPa 94.6	
17	Impeller type	Radial impeller	
18	Head H(Q=0)	m 9.6	Head
19	Max. shaft power	kW .6	
20	Pump weight	kg	Shaft power kW
21	Total weight	kg 42.0	
			Efficiency %
			NPSH 3% m

Materials			
22			
23	Volute Casing	Cast iron	Shaft Seal
24	Casing Cover	Cast iron	
25	Impeller	Stainless steel / AISI 304	Single mechanical seal, without shaft sleeve
26	Stub shaft	Stainless steel / AISI 316L	eMG12 - Ø22mm
27	Wear ring	Stainless steel / AISI 304	Mechanical seal diameter 22 mm
28	Impeller lock nut and washer	Stainless steel / AISI 304	1. Rotating ring
29	Impeller key	Stainless steel / AISI 316L	2. Stationary ring
30	Fill and drain plugs	Nickel-plated brass	3. Secondary seal
31			4. Springs
32			5. Others
33			Gaskets of the pump
34			Ethylene propylene rubber (EPDM)
35			
36			
37			
38			
39			
40			
41			

Motor data			
42	Manufacturer	Xylem	
43	Specific design	IE3 3ph Flange Motor	
44	Type	LLM490RB14/307	
45	Rated power	0.75 kW	Rated current 2.85 A
46	Nominal speed	1420 rpm	Rated voltage 230 V
47	Frame size	90R	Service factor 1
48	Weight	kg 10.1	Degree of protection IP55

Remarks			
49			
50			
51			
52			

# LNEE 40-160/07/X45RCS4

## Performance curve

Company name  
Contact  
Phone number  
e-mail address

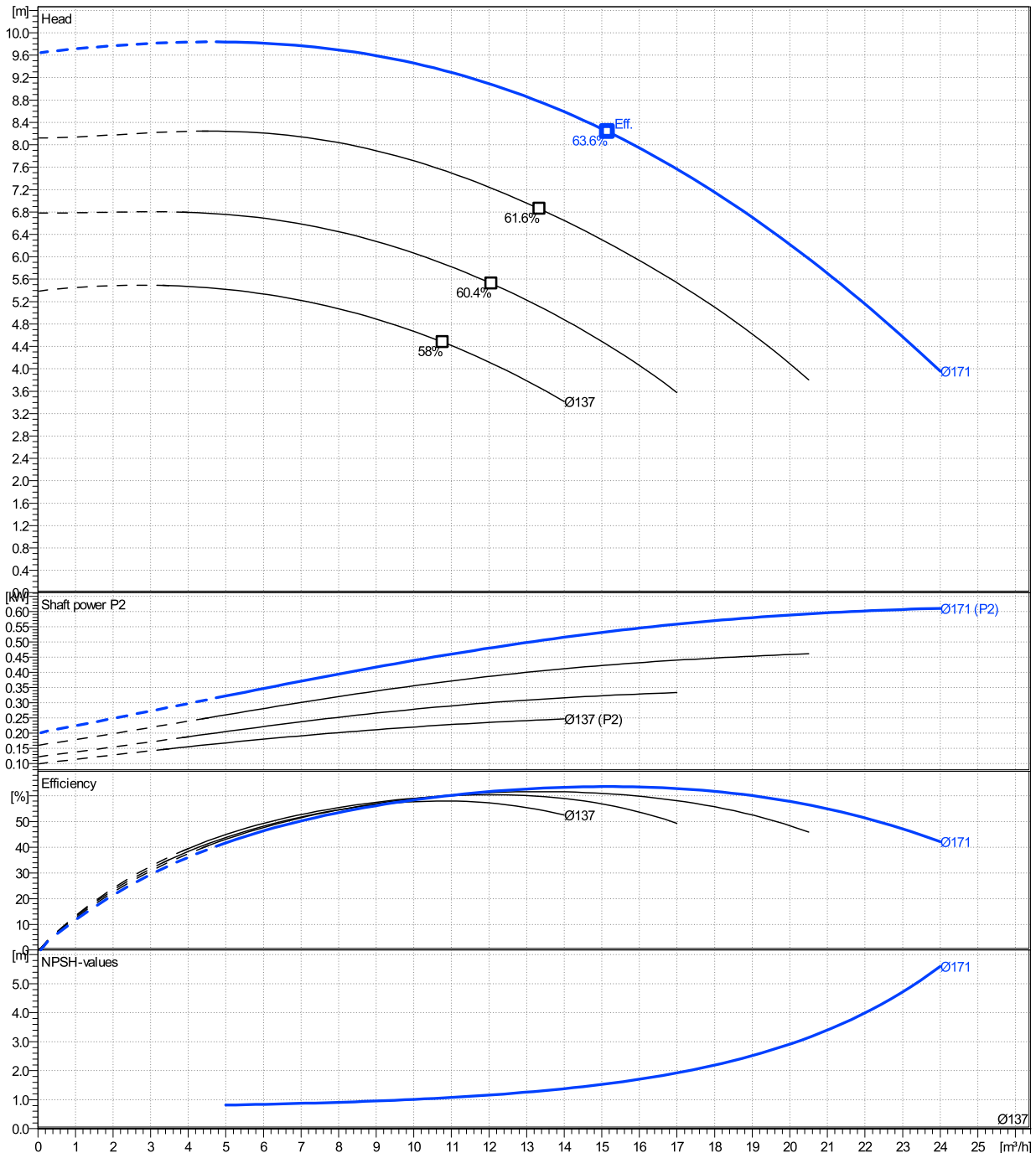
	Ø mm	Pump capacity Operating range			Pump head		Shaft power P2			Frequency	Hz	50
		Min. m³/h	Max. m³/h	Max. m³/h	H(Q=0) m	η Max. m	P2(Q=0) kW	Max. kW	η Max. kW	Operating speed	rpm	1450
actual	171	5	24	15.2	9.64	8.23		0.61	0.533	Nominal flow	m³/h	0
Min.	0	/	/	10.8	5.39	4.47		/	0.227	Nominal head	m	0
Max.	171	/	/	15.2	9.64	8.23		/	0.533	Inlet pressure	kPa	0
										Static head	m	0

Power datas referred to:

hydr. Performance acceptance acc. To EN ISO 9906 Class Grade 3B

Water [100%] ; 4°C; 1000kg/m³; 1.57mm²/s

MEI: N.A - according to Ecodesign Directive 2009/125/EC and Regulation (EU) No.547/2012



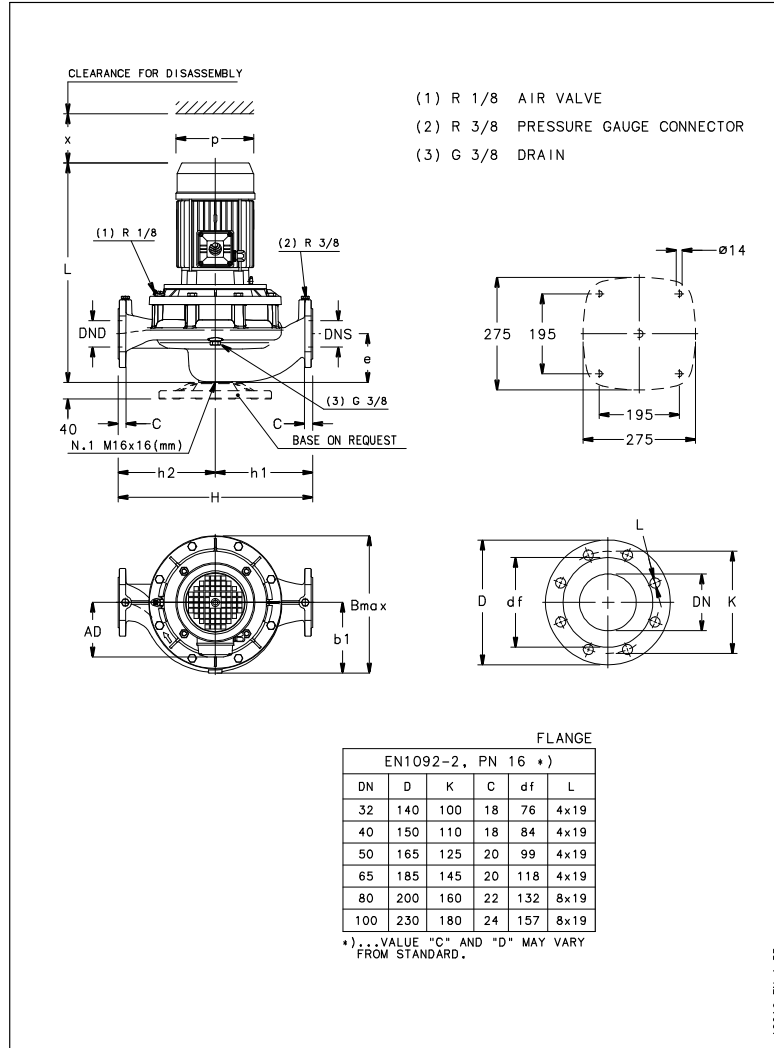
**LNEE 40-160/07/X45RCS4**

**Dimensions**

Company name  
Contact  
Phone number  
e-mail address

Close coupled

LLM490RB14/307



**Dimensions [ mm ]**

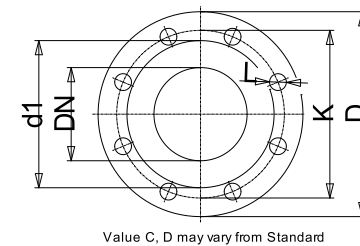
AD	128
b1	128
Bmax	248
DND	40
DNS	40
e	100
H	320
h1	160
h2	160
L	441
p	159
x	94

**Weight**

<b>Total weight</b>	<b>42 kg</b>
---------------------	--------------

**Connections**

Suction nozzle		Discharge nozzle	
DN 40		DN 40	
PN 16		PN 16	
EN1092-2		EN1092-2	
C	18	C	18
D	150	D	150
df	84	df	84
DN	40	DN	40
K	110	K	110
L	4 x 19	L	4 x 19



**Dimensions and weight without obligation**

<b>Project</b>	Xylect-20127611
<b>Block</b>	LNEE 40-160/07/X45RCS4

Created by  
Created on 12/20/2024

Last update 12/20/2024