

# LNEE 40-160/55/P26PCS4

## Technical data

Company name  
Contact  
Phone number  
e-mail address

Operating data				
1	Pumpe type	Single head pump	Fluid	Water
2	No. of pumps	1	Operating temperature t A	°F 39.2
3	Nominal flow	US g.p.m. 0	Max / Min Operating Temperature mech. Seal	°F 120 / -25
4	Nominal head	ft 0	pH-value at t A	7
5	Static head	ft 0	Density at t A	lb/ft <sup>3</sup> 62.4
6	Inlet pressure	psi 0	Kin. viscosity at t A	ft <sup>2</sup> /s 1.689E-5
7	Environmental temperature	°F 68	Vapor pressure at t A	psi 14.5
8	Available system NPSH	ft 0	Altitude	0

Pump data				
9	Lubrication	Standard, Grease lubrication [Std]		
10	Execution			
11	Design	In-Line single head		
12	Operating speed	3500 rpm	Stages	1
13	Suction nozzle	DN 40 /	PN 16 /	EN1092-2
14	Discharge nozzle	DN 40 /	PN 16 /	EN1092-2
15	Max. casing pressure	psi		
16	Max. working pressure	psi	58.6	
17	Impeller type	Radial impeller		
18	Head H(Q=0)	ft	140	
19	Max. shaft power	hp	7.3	
20	Pump weight	kg		
21	Total weight	lb	123.5	

	Max.	inch	
Impeller Ø	designed	inch	6 3/4
	Min.	inch	5 7/8
			5 3/8
			Nominal US g.p.m.
Flow	Max-	US g.p.m.	193.7
	Min-	US g.p.m.	44
			Nominal
Head	at Qmax	ft	80.5
	at Qmin	ft	139
			Shaft power
			hp
			Efficiency
			%
			NPSH 3%
			ft

Materials				
22		<b>Pump</b>	<b>Shaft Seal</b>	
23	Volute Casing	Cast iron	Single mechanical seal, without shaft sleeve	
24	Casing Cover	Cast iron	eMG12 - Ø22mm	BQ7EGG-WA
25	Impeller	Stainless steel / AISI 304	Mechanical seal diameter	7/8 inch
26	Stub shaft	Stainless steel / AISI 316L	1. Rotating ring	Carbon graphite resin impregnated
27	Wear ring	Stainless steel / AISI 304	2. Stationary ring	SiC, silicon carbide, sintered press.less
28	Impeller lock nut and washer	Stainless steel / AISI 304	3. Secondary seal	Ethylene propylene rubber (EPDM)
29	Impeller key	Stainless steel / AISI 316L	4. Springs	CrNiMo - Steel
30	Fill and drain plugs	Nickel-plated brass	5. Others	EPDM - WRAS
31			Gaskets of the pump	Ethylene propylene rubber (EPDM)
32				
33				
34				
35				
36				
37				
38				
39				
40				
41				

Motor data				
Electrical and dimensional data refer to IE3 motor				
42	Manufacturer	Lowara		
43	Specific design	IE3 3ph Flange Motor		
44	Type	PLM 112 B14 5,5 kW		
45	Rated power	7.3756 hp	Rated current	18.1 A
46	Nominal speed	3505 rpm	Rated voltage	220 V
47	Frame size	112	Service factor	1
48	Weight	lb 78.3	Degree of protection	IP55

Remarks				
49				
50				
50				
52				

# LNEE 40-160/55/P26PCS4

## Performance curve

Company name  
Contact  
Phone number  
e-mail address

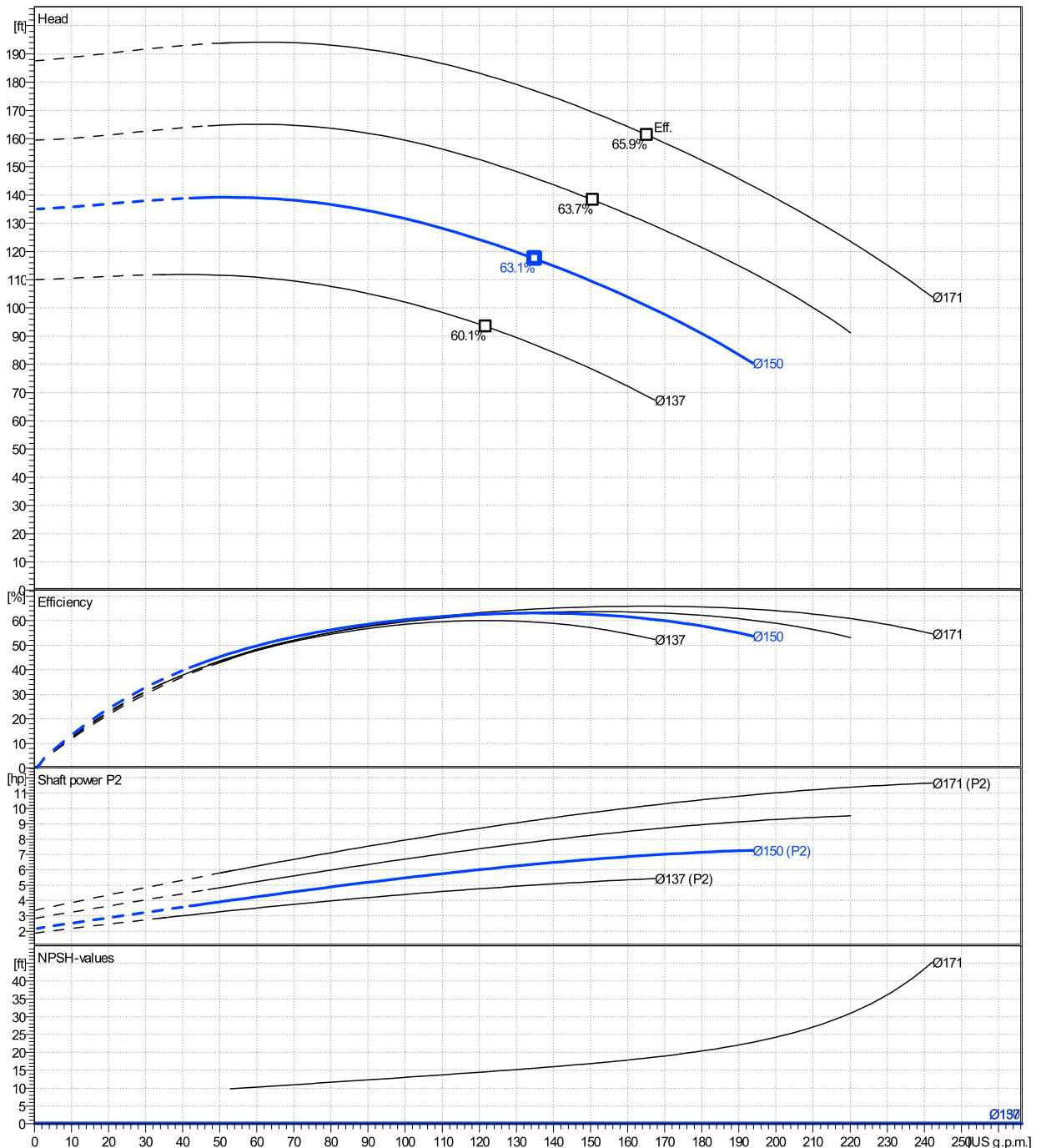
	Ø mm	Pump capacity Operating range η			Pump head η		Shaft power P2 η			Frequency Hz		60
		Min. US g.p.m.	Max. US g.p.m.	Max. US g.p.m.	H(Q=0) ft	Max. ft	P2(Q=0) hp	Max. hp	Max. hp	Operating speed rpm	3500	
actual	5 7/8	44	194	135	135	117	7.28	6.37		Nominal flow	US g.p.m.	0
Min.	0	/	/	122	110	93.4	/	4.79		Nominal head	ft	0
Max.	6 3/4	/	/	165	188	161	/	10.2		Inlet pressure	psi	0
										Static head	ft	0

**Power datas referred to:**

hydr. Performance acceptance acc. To EN ISO 9906 Class Grade 3B

Water [100%] ; 39.2°F ; 62.4lb/ft³ ; 1.69E-5ft²/s

MEI: N.A - according to Ecodesign Directive 2009/125/EC and Regulation (EU) No.547/2012



# LNEE 40-160/55/P26PCS4

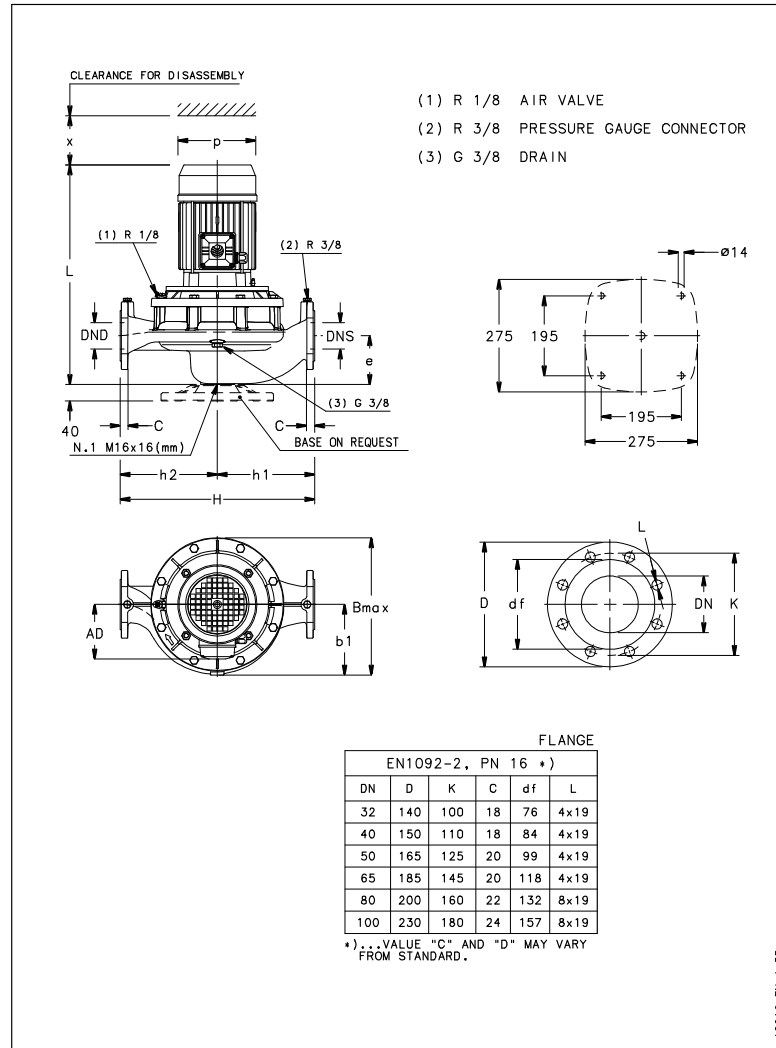
## Dimensions

Company name  
Contact  
Phone number  
e-mail address

Close coupled

PLM 112 B14 5,5 kW

Electrical and dimensional data refer to IE3 motor



### Dimensions [ inch ]

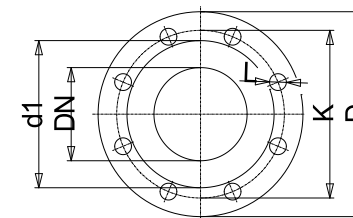
AD	6 <sup>5</sup> / <sub>8</sub>
b1	5 <sup>1</sup> / <sub>16</sub>
Bmax	11 <sup>9</sup> / <sub>16</sub>
DND	1 <sup>9</sup> / <sub>16</sub>
DNS	1 <sup>9</sup> / <sub>16</sub>
e	3 <sup>15</sup> / <sub>16</sub>
H	12 <sup>9</sup> / <sub>8</sub>
h1	6 <sup>5</sup> / <sub>16</sub>
h2	6 <sup>5</sup> / <sub>16</sub>
L	22 <sup>3</sup> / <sub>16</sub>
p	8 <sup>7</sup> / <sub>16</sub>
x	3 <sup>1</sup> / <sub>16</sub>

### Weight

Total weight	56 kg
--------------	-------

### Connections

Suction nozzle		Discharge nozzle	
DN 40		DN 40	
PN 16		PN 16	
EN1092-2		EN1092-2	
C	1 <sup>1</sup> / <sub>16</sub>	C	1 <sup>1</sup> / <sub>16</sub>
D	5 <sup>7</sup> / <sub>8</sub>	D	5 <sup>7</sup> / <sub>8</sub>
df	3 <sup>5</sup> / <sub>16</sub>	df	3 <sup>5</sup> / <sub>16</sub>
DN	1 <sup>9</sup> / <sub>16</sub>	DN	1 <sup>9</sup> / <sub>16</sub>
K	4 <sup>5</sup> / <sub>16</sub>	K	4 <sup>5</sup> / <sub>16</sub>
L	4 x 19	L	4 x 19



Value C, D may vary from Standard

### Dimensions and weight without obligation

Project Xylect-20185360  
Block LNEE 40-160/11/P46PCS4

Created by  
Created on 1/13/2025

Last update 1/13/2025