

LNEE 40-250/22/P46PCS4

Technical data

Company name
Contact
Phone number
e-mail address

Operating data					
1	Pumpe type	Single head pump		Fluid	Water
2	No. of pumps	1		Operating temperature t A	°F 39.2
3	Nominal flow	US g.p.m.	0	Max / Min Operating Temperature mech. Seal	°F 120 / -25
4	Nominal head	ft	0	pH-value at t A	7
5	Static head	ft	0	Density at t A	lb/ft ³ 62.4
6	Inlet pressure	psi	0	Kin. viscosity at t A	ft ² /s 1.689E-5
7	Environmental temperature	°F	68	Vapor pressure at t A	psi 14.5
8	Available system NPSH	ft	0	Altitude	0

Pump data					
9	Lubrication	Standard, Grease lubrication [Std]			
10	Execution				
11	Design	In-Line single head		Impeller Ø	Max. inch 10 3/16
12	Operating speed	1750 rpm	Stages 1		designed inch 8 7/8
13	Suction nozzle	DN 40 /	PN 16 /	Flow	Min. inch 8 7/8
14	Discharge nozzle	DN 40 /	PN 16 /		Nominal US g.p.m.
15	Max. casing pressure	psi		Max- US g.p.m.	107.9
16	Max. working pressure	psi	34.7	Min- US g.p.m.	33
17	Impeller type	Radial impeller		Head	Nominal ft
18	Head H(Q=0)	ft	80		at Qmax ft 54.5
19	Max. shaft power	hp	3		at Qmin ft 77.2
20	Pump weight	kg		Shaft power	hp
21	Total weight	lb	154.3	Efficiency	%
				NPSH 3%	ft

Materials					
22		Pump		Shaft Seal	
23	Volute Casing	Cast iron		Single mechanical seal, without shaft sleeve	
24	Casing Cover	Cast iron		eMG12 - Ø28mm	BQ7EGG-WA
25	Impeller	Stainless steel / AISI 304		Mechanical seal diameter	1 1/8 inch
26	Stub shaft	Stainless steel / AISI 316L		1. Rotating ring	Carbon graphite resin impregnated
27	Wear ring	Stainless steel / AISI 304		2. Stationary ring	SiC, silicon carbide, sintered press.less
28	Impeller lock nut and washer	Stainless steel / AISI 304		3. Secondary seal	Ethylene propylene rubber (EPDM)
29	Impeller key	Stainless steel / AISI 316L		4. Springs	CrNiMo - Steel
30	Fill and drain plugs	Nickel-plated brass		5. Others	EPDM - WRAS
31				Gaskets of the pump	Ethylene propylene rubber (EPDM)
32					
33					
34					
35					
36					
37					
38					
39					
40					
41					

Motor data					
Electrical and dimensional data refer to IE3 motor					
42	Manufacturer	Lowara			
43	Specific design	IE3 3ph Flange Motor			
44	Type	PLM 100 B14 2,2 kW			
45	Rated power	2.9502 hp	Rated current	8.19 A	
46	Nominal speed	1740 rpm	Rated voltage	220 V	
47	Frame size	100	Service factor	1	
48	Weight	lb 63.5	Degree of protection	IP55	

Remarks					
49					
50					
50					
52					

LNEE 40-250/22/P46PCS4

Performance curve

Company name
Contact
Phone number
e-mail address

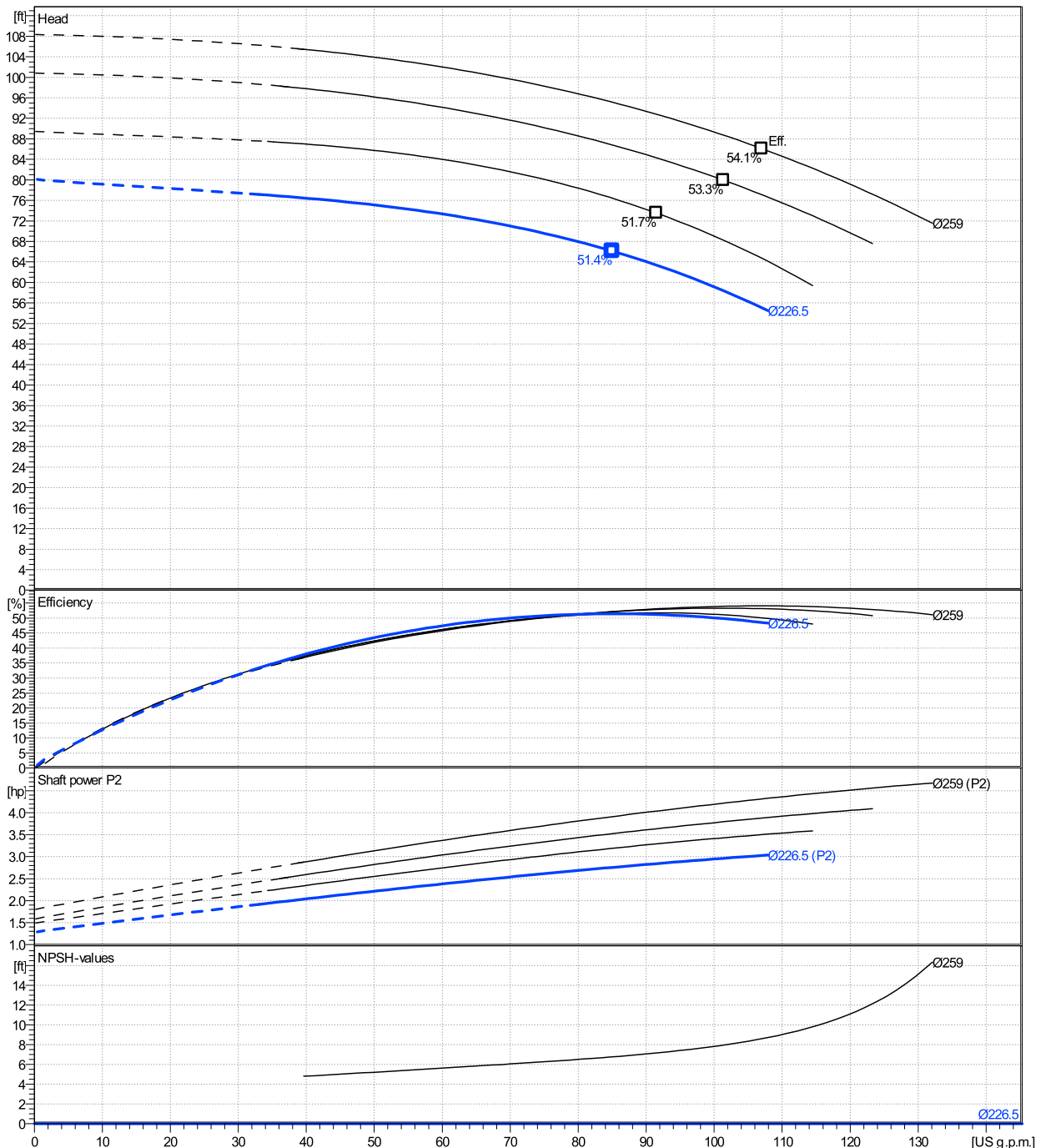
	Ø mm	Pump capacity Operating range η			Pump head η		Shaft power P2 η			Frequency	Hz		
		Min. US g.p.m.	Max. US g.p.m.	Max. US g.p.m.	H(Q=0) ft	Max. ft	P2(Q=0) hp	Max. hp	Max. hp	Operating speed	rpm		
actual	8 7/8	33	108	85	80.1	66.1	3.04	2.76		1750	Nominal flow	US g.p.m.	0
Min.	0	/	/	85	80.1	66.1	/	2.76			Nominal head	ft	0
Max.	10 3/16	/	/	107	108	86.1	/	4.31			Inlet pressure	psi	0
											Static head	ft	0

Power datas referred to:

hydr. Performance acceptance acc. To EN ISO 9906 Class Grade 3B

Water [100%] ; 39.2°F; 62.4lb/ft³; 1.69E-5ft²/s

MEI: N.A - according to Ecodesign Directive 2009/125/EC and Regulation (EU) No.547/2012



LNEE 40-250/22/P46PCS4

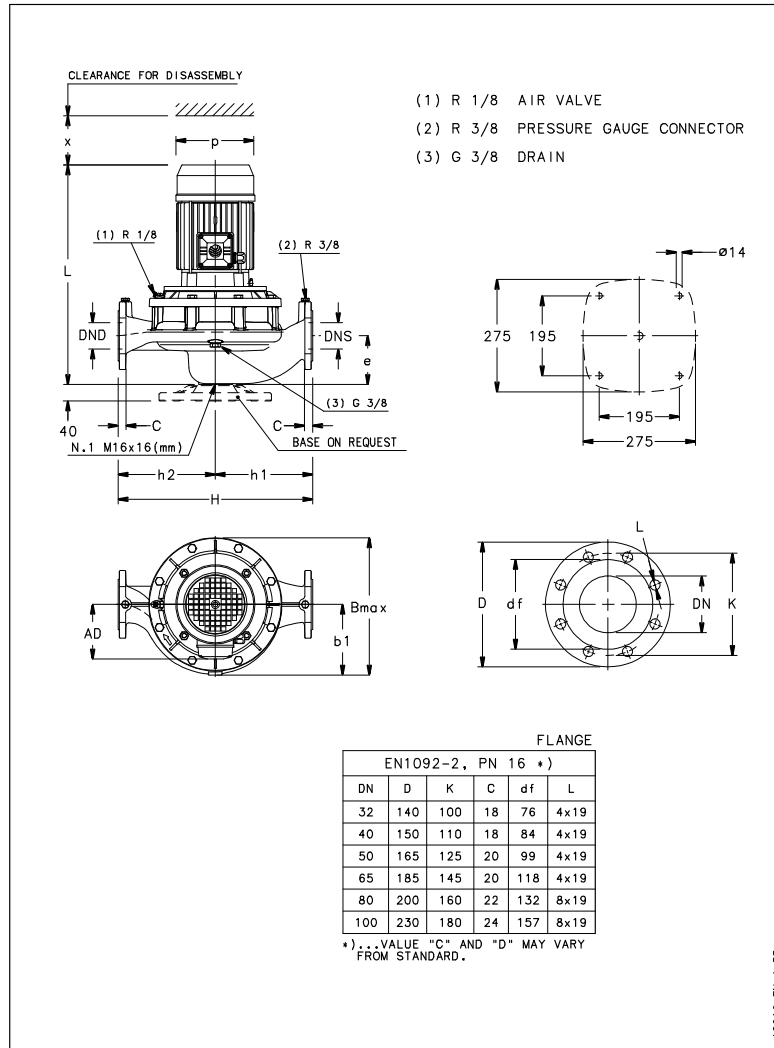
Dimensions

Company name
Contact
Phone number
e-mail address

Close coupled

PLM 100 B14 2,2 kW

Electrical and dimensional data refer to IE3 motor



Dimensions [inch]

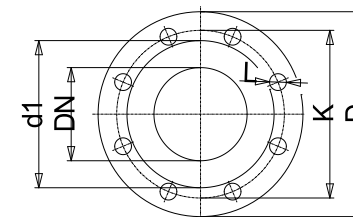
AD	6 ⁵ / ₈
b1	6 ⁵ / ₈
Bmax	13 ¹ / ₄
DND	1 ⁹ / ₁₆
DNS	1 ⁹ / ₁₆
e	4 ⁵ / ₁₆
H	17 ⁵ / ₁₆
h1	8 ¹¹ / ₁₆
h2	8 ¹¹ / ₁₆
L	20 ¹⁵ / ₁₆
p	8 ⁷ / ₁₆
x	4 ¹ / ₈

Weight

Total weight	70 kg
--------------	-------

Connections

Suction nozzle		Discharge nozzle	
DN 40		DN 40	
PN 16		PN 16	
EN1092-2		EN1092-2	
C	1 ¹ / ₁₆	C	1 ¹ / ₁₆
D	5 ⁷ / ₈	D	5 ⁷ / ₈
df	3 ⁵ / ₁₆	df	3 ⁵ / ₁₆
DN	1 ⁹ / ₁₆	DN	1 ⁹ / ₁₆
K	4 ⁵ / ₁₆	K	4 ⁵ / ₁₆
L	4 x 19	L	4 x 19



Value C, D may vary from Standard

Dimensions and weight without obligation

Project Xylect-20185360
Block LNEE 40-250/40/P46PCS4

Created by
Created on 1/13/2025

Last update 1/13/2025