

LNEE 50-160/11/P45RCS4

Technical data

Company name
Contact
Phone number
e-mail address

Operating data			
1	Pumpe type	Single head pump	Fluid Water
2	No. of pumps	1	Operating temperature t A °C 4
3	Nominal flow	m ³ /h 0	Max / Min Operating Temperature mech. Seal °C 120 / -25
4	Nominal head	m 0	pH-value at t A 7
5	Static head	m 0	Density at t A kg/m ³ 1000
6	Inlet pressure	kPa 0	Kin. viscosity at t A mm ² /s 1.569
7	Environmental temperature	°C 20	Vapor pressure at t A kPa 100
8	Available system NPSH	m 0	Altitude 0

Pump data			
9	Lubrication	Standard, Grease lubrication [Std]	
10	Execution		
11	Design	In-Line single head	
12	Operating speed	1450 rpm	Stages 1
13	Suction nozzle	DN 50 / PN 16 / EN1092-2	Impeller Ø
14	Discharge nozzle	DN 50 / PN 16 / EN1092-2	
15	Max. casing pressure	kPa	Flow
16	Max. working pressure	kPa 97	
17	Impeller type	Radial impeller	
18	Head H(Q=0)	m 9.9	Head
19	Max. shaft power	kW .9	
20	Pump weight	kg	Shaft power kW
21	Total weight	kg 45.0	
			Efficiency %
			NPSH 3% m

Materials			
22		Pump	Shaft Seal
23	Volute Casing	Cast iron	Single mechanical seal, without shaft sleeve
24	Casing Cover	Cast iron	eMG12 - Ø22mm BQ7EGG-WA
25	Impeller	Stainless steel / AISI 304	Mechanical seal diameter 22 mm
26	Stub shaft	Stainless steel / AISI 316L	1. Rotating ring Carbon graphite resin impregnated
27	Wear ring	Stainless steel / AISI 304	2. Stationary ring SiC, silicon carbide, sintered press.less
28	Impeller lock nut and washer	Stainless steel / AISI 304	3. Secondary seal Ethylene propylene rubber (EPDM)
29	Impeller key	Stainless steel / AISI 316L	4. Springs CrNiMo - Steel
30	Fill and drain plugs	Nickel-plated brass	5. Others EPDM - WRAS
31			Gaskets of the pump Ethylene propylene rubber (EPDM)
32			
33			
34			
35			
36			
37			
38			
39			
40			
41			

Motor data			
Electrical and dimensional data refer to IE3 motor			
42	Manufacturer	Lowara	
43	Specific design	IE3 3ph Flange Motor	
44	Type	PLM 90 B14 1,1 kW	
45	Rated power	1.1 kW	Rated current 4.59 A
46	Nominal speed	1435 rpm	Rated voltage 230 V
47	Frame size	90	Service factor 1
48	Weight	kg 17.4	Degree of protection IP55

Remarks			
49			
50			
50			
52			

LNEE 50-160/11/P45RCS4

Performance curve

Company name
Contact
Phone number
e-mail address

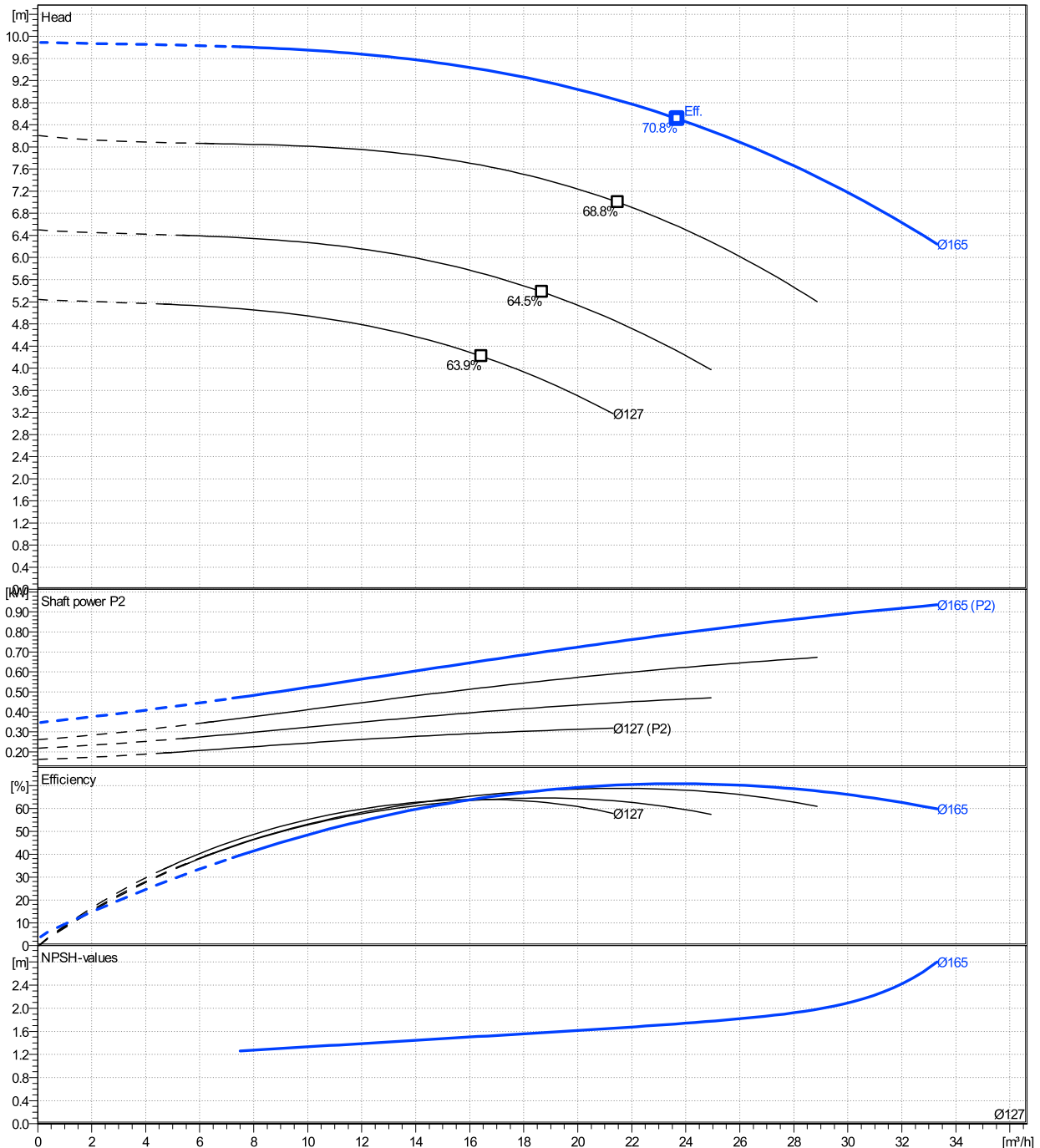
	Ø mm	Pump capacity			Pump head		Shaft power P2			Frequency	Hz	50
		Operating range Min. m³/h	Max. m³/h	η Max. m³/h	H(Q=0) m	η Max. m	P2(Q=0) kW	Max. kW	η Max. kW	Operating speed	rpm	1450
actual	165	7.5	33.3	23.7	9.89	8.51		0.936	0.792	Nominal flow	m³/h	0
Min.	0	/	/	16.4	5.24	4.22		/	0.294	Nominal head	m	0
Max.	165	/	/	23.7	9.89	8.51		/	0.792	Inlet pressure	kPa	0
										Static head	m	0

Power datas referred to:

hydr. Performance acceptance acc. To EN ISO 9906 Class Grade 3B

Water [100%] ; 4°C; 1000kg/m³; 1.57mm²/s

MEI: N.A - according to Ecodesign Directive 2009/125/EC and Regulation (EU) No.547/2012



LNEE 50-160/11/P45RCS4

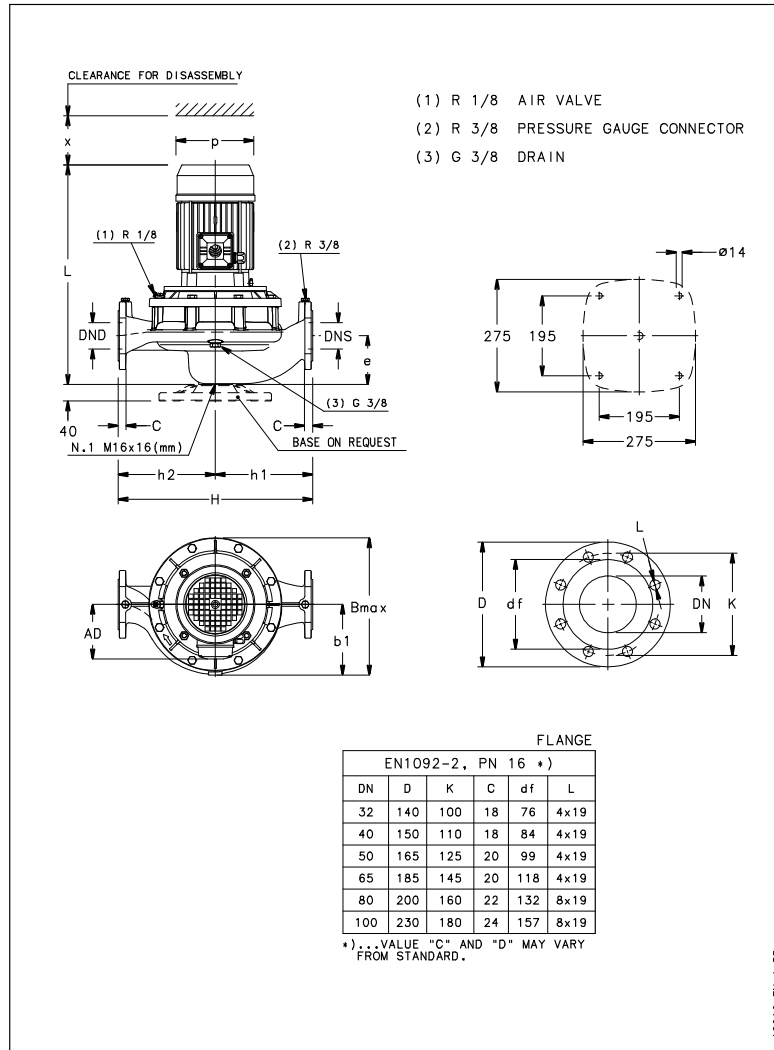
Dimensions

Company name
Contact
Phone number
e-mail address

Close coupled

PLM 90 B14 1,1 kW

Electrical and dimensional data refer to IE3 motor



Dimensions [mm]

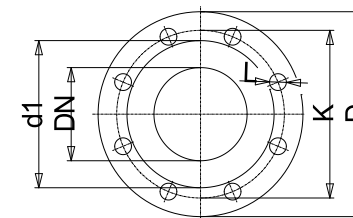
AD	134
b1	128
Bmax	252
DND	50
DNS	50
e	116
H	340
h1	180
h2	160
L	514
p	174
x	96

Weight

Total weight	45 kg
--------------	-------

Connections

Suction nozzle		Discharge nozzle	
DN 50		DN 50	
PN 16		PN 16	
EN1092-2		EN1092-2	
C	20	C	20
D	165	D	165
df	99	df	99
DN	50	DN	50
K	125	K	125
L	4 x 19	L	4 x 19



Value C, D may vary from Standard

Dimensions and weight without obligation

Project Xylect-20127611
Block LNEE 50-160/11/P45RCS4

Created by
Created on 12/20/2024

Last update 12/20/2024