

LNEE 65-125/75/P25VCS4

Technical data

Company name
Contact
Phone number
e-mail address

Operating data					
1	Pumpe type	Single head pump		Fluid	Water
2	No. of pumps	1		Operating temperature t A	°C 4
3	Nominal flow	m ³ /h	0	Max / Min Operating Temperature mech. Seal	°C 120 / -25
4	Nominal head	m	0	pH-value at t A	7
5	Static head	m	0	Density at t A	kg/m ³ 1000
6	Inlet pressure	kPa	0	Kin. viscosity at t A	mm ² /s 1.569
7	Environmental temperature	°C	20	Vapor pressure at t A	kPa 100
8	Available system NPSH	m	0	Altitude	0

Pump data					
9	Lubrication	Standard, Grease lubrication [Std]			
10	Execution				
11	Design	In-Line single head		Impeller Ø	Max. mm 148
12	Operating speed	2900 rpm	Stages 1		designed mm 148
13	Suction nozzle	DN 65 /	PN 16 / EN1092-2		Min. mm 118
14	Discharge nozzle	DN 65 /	PN 16 / EN1092-2	Flow	Nominal m ³ /h
15	Max. casing pressure	kPa			Max- m ³ /h 85
16	Max. working pressure	kPa	304.2	Min- m ³ /h 26	
17	Impeller type	Radial impeller		Head	Nominal m
18	Head H(Q=0)	m	31		at Qmax m 18.2
19	Max. shaft power	kW	6.4		at Qmin m 29
20	Pump weight	kg		Shaft power	kW
21	Total weight	kg	91.0	Efficiency	%
				NPSH 3%	m

Materials					
22		Pump		Shaft Seal	
23	Volute Casing	Cast iron		Single mechanical seal, without shaft sleeve	
24	Casing Cover	Cast iron		eMG12 - Ø22mm	BQ7EGG-WA
25	Impeller	Stainless steel / AISI 304		Mechanical seal diameter	22 mm
26	Stub shaft	Stainless steel / AISI 316L		1. Rotating ring	Carbon graphite resin impregnated
27	Wear ring	Stainless steel / AISI 304		2. Stationary ring	SiC, silicon carbide, sintered press.less
28	Impeller lock nut and washer	Stainless steel / AISI 304		3. Secondary seal	Ethylene propylene rubber (EPDM)
29	Impeller key	Stainless steel / AISI 316L		4. Springs	CrNiMo - Steel
30	Fill and drain plugs	Nickel-plated brass		5. Others	EPDM - WRAS
31				Gaskets of the pump	Ethylene propylene rubber (EPDM)
32					
33					
34					
35					
36					
37					
38					
39					
40					
41					

Motor data					
Electrical and dimensional data refer to IE3 motor					
42	Manufacturer	Lowara			
43	Specific design	IE3 3ph Flange Motor			
44	Type	PLM 132 B14 7,5 kW			
45	Rated power	7.5 kW	Rated current	14.1 A	
46	Nominal speed	2920 rpm	Rated voltage	400 V	
47	Frame size	132	Service factor	1	
48	Weight	kg 55.8	Degree of protection	IP55	

Remarks					
49					
50					
50					
52					

LNEE 65-125/75/P25VCS4

Performance curve

Company name
Contact
Phone number
e-mail address

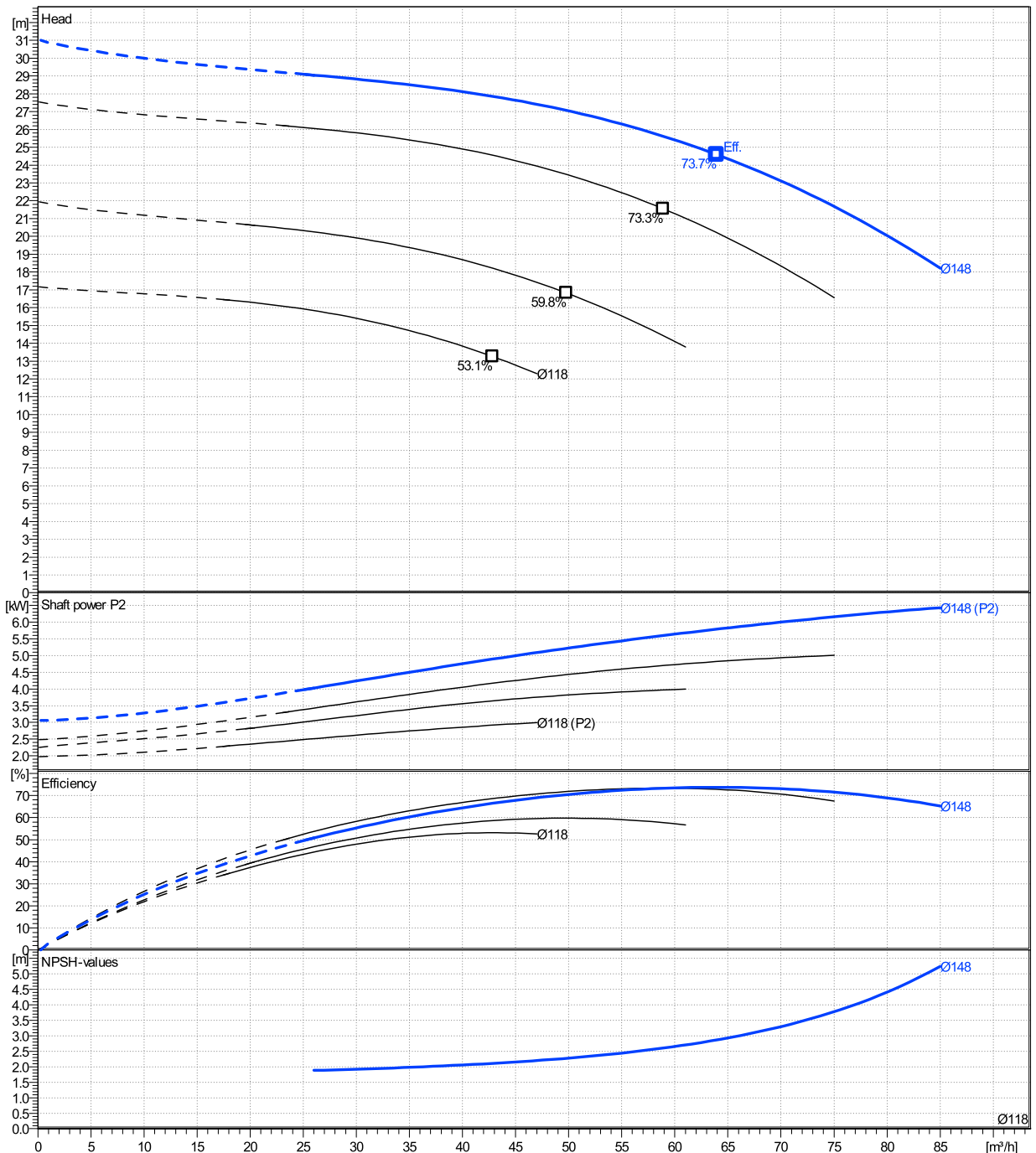
	Ø mm	Pump capacity			Pump head		Shaft power P2			Frequency	Hz	50
		Operating range Min. m³/h	Max. m³/h	η Max. m³/h	H(Q=0) m	η Max. m	P2(Q=0) kW	Max. kW	η Max. kW	Operating speed	rpm	2900
actual	148	26	85	63.9	31	24.6		6.43	5.79	Nominal flow	m³/h	0
Min.	0	/	/	42.8	17.2	13.3		/	2.92	Nominal head	m	0
Max.	148	/	/	63.9	31	24.6		/	5.79	Inlet pressure	kPa	0
										Static head	m	0

Power datas referred to:

hydr. Performance acceptance acc. To EN ISO 9906 Class Grade 3B

Water [100%]; 4°C; 1000kg/m³; 1.57mm²/s

MEI: N.A - according to Ecodesign Directive 2009/125/EC and Regulation (EU) No.547/2012



LNEE 65-125/75/P25VCS4

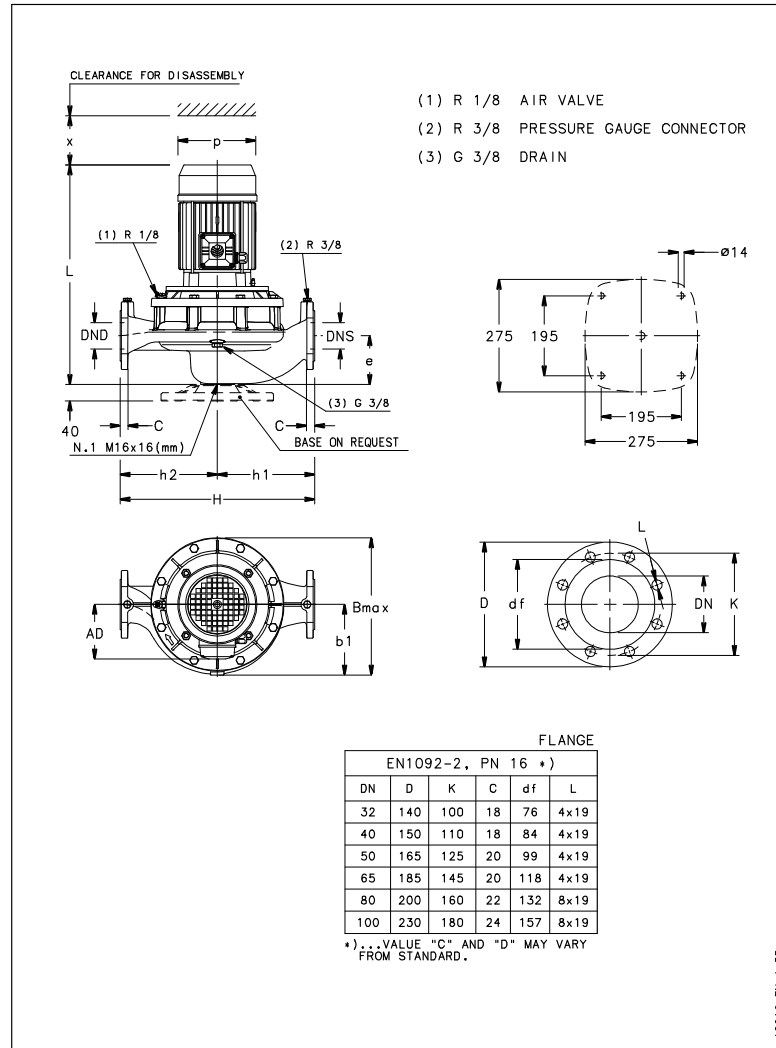
Dimensions

Company name
Contact
Phone number
e-mail address

Close coupled

PLM 132 B14 7,5 kW

Electrical and dimensional data refer to IE3 motor



Dimensions [mm]

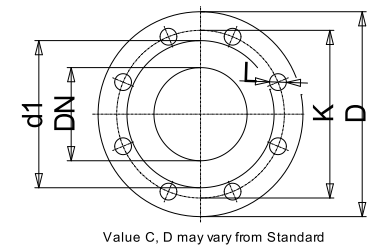
AD	191
b1	148
Bmax	339
DND	65
DNS	65
e	105
H	360
h1	190
h2	170
L	597
p	256
x	100

Weight

Total weight	91 kg
--------------	-------

Connections

Suction nozzle		Discharge nozzle	
DN 65		DN 65	
PN 16		PN 16	
EN1092-2		EN1092-2	
C	20	C	20
D	185	D	185
df	118	df	118
DN	65	DN	65
K	145	K	145
L	4 x 19	L	4 x 19



Dimensions and weight without obligation

Project	Xylect-20127611
Block	LNEE 65-125/11/P45RCS4

Created by
Created on 12/20/2024

Last update 12/20/2024