

# LNEE 65-200/22/P45RCS4

## Technical data

Company name  
Contact  
Phone number  
e-mail address

Operating data				
1	Pumpe type	Single head pump	Fluid	Water
2	No. of pumps	1	Operating temperature t A	°C 4
3	Nominal flow	m <sup>3</sup> /h 0	Max / Min Operating Temperature mech. Seal	°C 120 / -25
4	Nominal head	m 0	pH-value at t A	7
5	Static head	m 0	Density at t A	kg/m <sup>3</sup> 1000
6	Inlet pressure	kPa 0	Kin. viscosity at t A	mm <sup>2</sup> /s 1.569
7	Environmental temperature	°C 20	Vapor pressure at t A	kPa 100
8	Available system NPSH	m 0	Altitude	0

Pump data				
9	Lubrication	Standard, Grease lubrication [Std]		
10	Execution			
11	Design	In-Line single head		
12	Operating speed	1450 rpm	Stages	1
13	Suction nozzle	DN 65 /	PN 16 /	EN1092-2
14	Discharge nozzle	DN 65 /	PN 16 /	EN1092-2
15	Max. casing pressure	kPa		
16	Max. working pressure	kPa	148.6	
17	Impeller type	Radial impeller		
18	Head H(Q=0)	m	15	
19	Max. shaft power	kW	2.2	
20	Pump weight	kg		
21	Total weight	kg	77.0	

Parameter	Value	Unit
Impeller Ø	Max. designed	mm 209
	Min.	mm 168
Flow	Nominal	m <sup>3</sup> /h
	Max-	m <sup>3</sup> /h 51
	Min-	m <sup>3</sup> /h 13
Head	Nominal	m
	at Qmax	m 10.4
	at Qmin	m 15.2
Shaft power		kW
Efficiency		%
NPSH 3%		m

Materials				
22		Pump		Shaft Seal
23	Volute Casing	Cast iron		Single mechanical seal, without shaft sleeve
24	Casing Cover	Cast iron		eMG12 - Ø28mm
25	Impeller	Stainless steel / AISI 304		Mechanical seal diameter
26	Stub shaft	Stainless steel / AISI 316L		28 mm
27	Wear ring	Stainless steel / AISI 304		1. Rotating ring
28	Impeller lock nut and washer	Stainless steel / AISI 304		Carbon graphite resin impregnated
29	Impeller key	Stainless steel / AISI 316L		2. Stationary ring
30	Fill and drain plugs	Nickel-plated brass		SiC, silicon carbide, sintered press.less
31				3. Secondary seal
32				Ethylene propylene rubber (EPDM)
33				4. Springs
34				CrNiMo - Steel
35				5. Others
36				EPDM - WRAS
37				Gaskets of the pump
38				Ethylene propylene rubber (EPDM)
39				
40				
41				

Motor data				
Electrical and dimensional data refer to IE3 motor				
42	Manufacturer	Lowara		
43	Specific design	IE3 3ph Flange Motor		
44	Type	PLM 100 B14 2,2 kW		
45	Rated power	2.2 kW	Rated current	8.04 A
46	Nominal speed	1445 rpm	Rated voltage	230 V
47	Frame size	100	Service factor	1
48	Weight	kg 28.8	Degree of protection	IP55

Remarks				
49				
50				
50				
52				

# LNEE 65-200/22/P45RCS4

## Performance curve

Company name  
Contact  
Phone number  
e-mail address

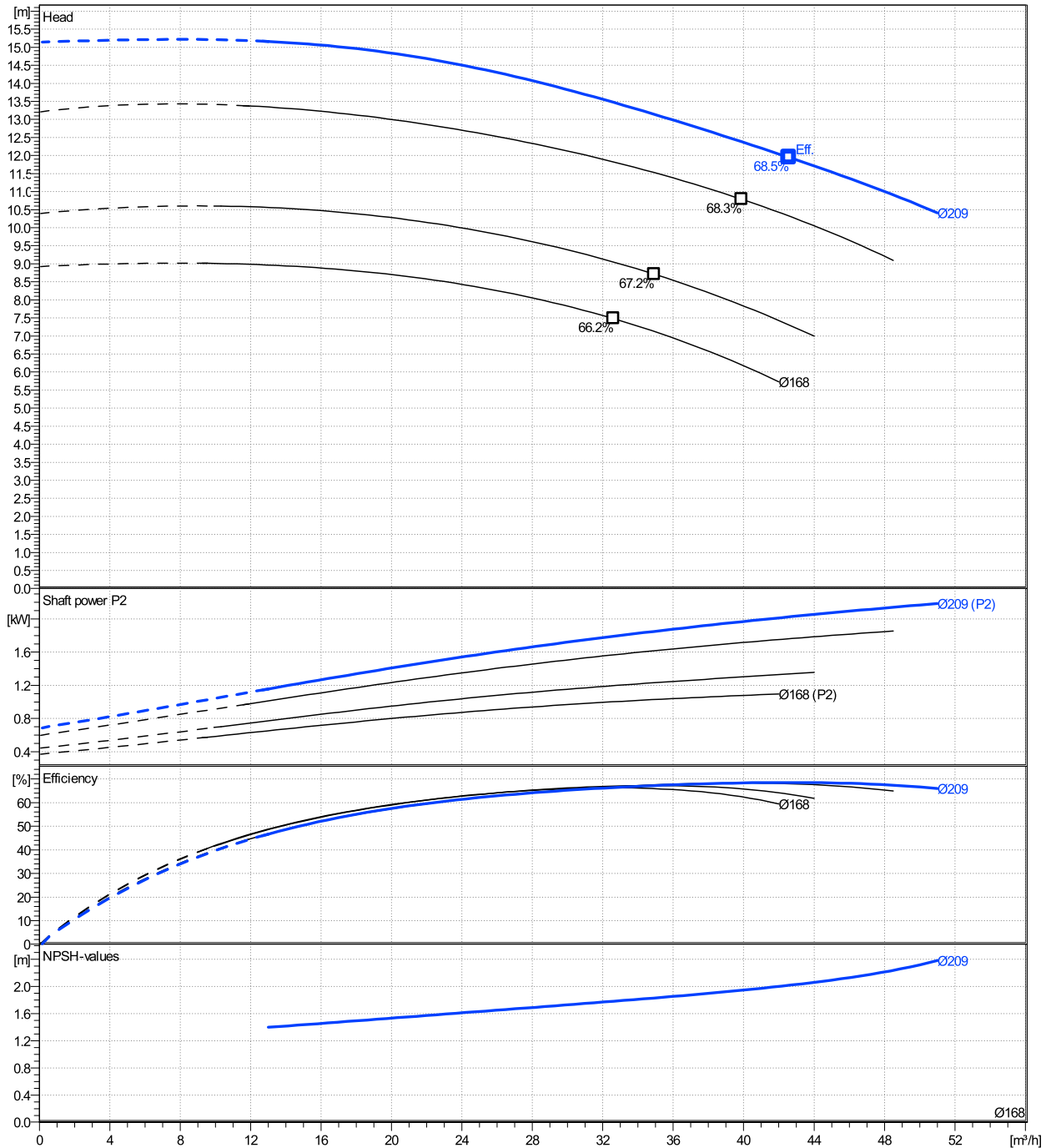
	Ø mm	Pump capacity η			Pump head η		Shaft power P2 η			Frequency	Hz	50
		Operating range Min. m³/h	Max. m³/h	Max. m³/h	H(Q=0) m	Max. m	P2(Q=0) kW	Max. kW	Max. kW	Operating speed rpm	1450	
actual	209	13	51	42.6	15.1	11.9		2.19	2.02	Nominal flow	m³/h	0
Min.	0	/	/	32.6	8.92	7.48		/	1	Nominal head	m	0
Max.	209	/	/	42.6	15.1	11.9		/	2.02	Inlet pressure	kPa	0
										Static head	m	0

**Power datas referred to:**

hydr. Performance acceptance acc. To EN ISO 9906 Class Grade 3B

Water [100%] ; 4°C; 1000kg/m³; 1.57mm²/s

MEI: N.A - according to Ecodesign Directive 2009/125/EC and Regulation (EU) No.547/2012



# LNEE 65-200/22/P45RCS4

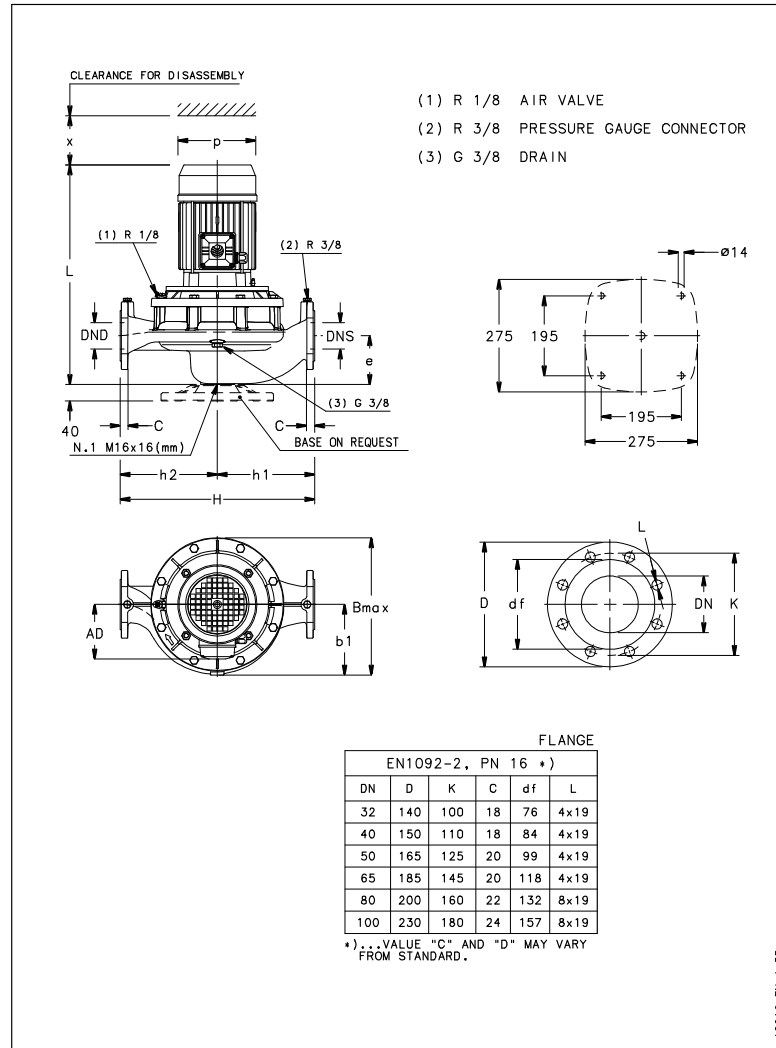
## Dimensions

Company name  
Contact  
Phone number  
e-mail address

Close coupled

PLM 100 B14 2,2 kW

Electrical and dimensional data refer to IE3 motor



### Dimensions [ mm ]

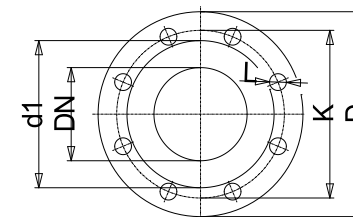
AD	168
b1	178
Bmax	347
DND	65
DNS	65
e	118
H	475
h1	237.5
h2	237.5
L	540
p	214
x	105

### Weight

Total weight	77 kg
--------------	-------

### Connections

Suction nozzle		Discharge nozzle	
DN 65		DN 65	
PN 16		PN 16	
EN1092-2		EN1092-2	
C	20	C	20
D	185	D	185
df	118	df	118
DN	65	DN	65
K	145	K	145
L	4 x 19	L	4 x 19



Value C, D may vary from Standard

### Dimensions and weight without obligation

Project	Xylect-20127611
Block	LNEE 65-200/22/P45RCS4

Created by	
Created on	12/20/2024

Last update	12/20/2024
-------------	------------